

Everllence



Marine engine programme

2026

Copyright 2025 © Everllence, filial af Everllence SE, Tyskland, registered with the Danish Business Authority under CVR No.: 31611792, (herein referred to as “Everllence”).

All data provided in this document is non-binding. This data serves informational purposes only and is especially not guaranteed in any way.

Depending on the subsequent specific individual projects, the relevant data may be subject to changes and will be assessed and determined individually for each project. This will depend on the particular characteristics of each individual project, especially specific site and operational conditions.

If this document is delivered in another language than English and doubts arise concerning the translation, the English text shall prevail.

Contents

Everllence B&W two-stroke propulsion engines	4
Everllence B&W two-stroke propulsion systems	98
Everllence four-stroke propulsion engines	106
Everllence four-stroke marine mechanical pump drive	148
Everllence four-stroke marine GenSets	158
S.E.M.T. Pielstick four-stroke propulsion engines	198
Everllence four-stroke propulsion systems	204
Everllence turbochargers and exhaust gas systems	220
Everllence PrimeServ	240
Contacts	256



Everllence B&W
two-stroke
propulsion
engines



Everllence B&W Tier II and Tier III engine programme

The two-stroke engines in this programme are either:

- Tier II engines complying with IMO Tier II
- Tier III engines complying with IMO Tier II when operated in IMO Tier II mode, and with IMO Tier III when operated in IMO Tier III mode

The latest updates on engine development and options are available at: www.everllence.com → marine → products → planning-tools-and-downloads → market-update-notes.

The latest updated engine programme is available at: www.everllence.com → marine → products → planning-tools-and-downloads → marine-engine-programme.

Engine type designation

To ensure that the engine designation describes the engine with regard to the fuel injection concept and in case of Tier III engines the IMO Tier III technology applied, the engine type designation also includes these concepts as described below (full designation, see page 20).

5G70ME-C10.58-GI-HPSCR

-
- Tier III technology (EGRTC, EcoEGR, EGRBP, HPSCR, LPSCR)
No designation = Tier II
 - Fuel injection concept (GI, LGIM, LGIP, GIE)
No designation = MDO/HFO

Fuel injection concepts are explained in detail on page 10 (ME-GI and ME-LGI dual fuel engines) and IMO Tier III technologies on page 22.

ME-C engines

The electronic control of the ME-C engines includes flexible control of the cylinder processes, i.e. fuel injection timing and actuation of exhaust valves, starting valves, and cylinder lubrication.

CEAS, TCS and Engine selection guide

CEAS (computerized engine application system), TCS (turbocharger selection) and Engine selection guide applications cover all engine variants including available dual fuel and IMO Tier III technology options. These applications provide essential data for the design and dimensioning of a ship's engine room (CEAS), applicable turbochargers (TCS) and Engine selection guide.

CEAS/TCS/Engine selection guide are available online at: www.everllence.com → marine → planning-tools-and-downloads → ceas-engine-calculations/turbocharger-selection/engine-selection-guide

In CEAS and TCS, all engines in this programme can be selected from the category 'Catalogue: Official'. For new ship design projects, it is recommended selecting engines from this official engine catalogue.

Earlier versions of this engine programme mention additional engine types. Some of these are still available in CEAS and TCS under the category 'Catalogue: Replaced'. Engines from the replaced catalogue are available for ordering on equal terms as engines from the official catalogue without any restrictions.

CEAS reports are valid for ordering from our licensed engine builders for up to 12 months after the creation date of the report.

The Engine selection guide is our most recent web tool designed to offer an easy overview of our two-stroke Everllence B&W engine portfolio. With a few inputs, it provides a list of relevant engines and variants and offers the option to sort the engine selection according to fuel consumption.

Engine power

The engine brake power is stated in kW. The power values stated in the tables are available up to tropical conditions at sea level, i.e.:

- turbocharger inlet air temperature 45°C
- turbocharger inlet air pressure 1,000 mbar
- cooling water (sea/fresh) temperature 32/36°C

Engine fuel consumption

Everllence specifies fuel consumption for two-stroke engines in two equivalent ways:

- Specific fuel oil consumption (SFOC) is used for fuel oil engines (non-dual fuel) as well as the fuel oil mode on dual fuel engines. It specifies the weight (gram) of fuel needed to produce one kWh of mechanical energy [g/kWh].
- Heat rate (HR) is used for second fuel mode on dual fuel engines combusting a mix of pilot oil and second fuel (gas/liquid). It specifies the energy in the fuel needed to produce one kWh of mechanical energy [kJ/kWh].

Specific fuel oil consumption (SFOC)

The figures in the two-stroke chapter represent the anticipated values for matching the engine and turbocharger as well as the engine fulfilling the IMO NO_x Tier II or Tier III emission limits.

The SFOC figures are given in g/kWh and are based on the use of a fuel oil with a lower calorific value (LCV) equal to 42,700 kJ/kg at ISO conditions:

- turbocharger inlet air temperature 25°C
- turbocharger inlet air pressure 1,000 mbar
- cooling water temperature 25°C

Tolerances

The energy efficiency design index (EEDI) has led to increased focus on low-load fuel consumption. Therefore, Everllence supports the option to select fuel consumption guarantees at a load point in the range from 50% to 100%.

Tolerances on the fuel consumption values presented are as follows:

- 5% tolerance for 100-85% engine load
- 6% tolerance for 84.99-65% engine load
- 7% tolerance for 64.99-50% engine load

Everllence does not support the selection of guarantee points below 50% engine load. For reference, the tolerance is 8% on fuel consumption figures below 50%.

Fuel consumption and EEDI figures are specified for ISO reference conditions.

Turbocharging system

Two-stroke engines can be delivered with Everllence, Accelleron, or MHI turbochargers as standard.

The SFOC figures given in the two-stroke chapter are based on turbocharging at a level of efficiency generally achievable, which means 67% at 100% engine load at SMCR for all engines.

There are exceptions to this rule, S40ME-C9.5 and S35ME-C9.7 are also available as conventional efficiency (64%) applications for both IMO Tier II and IMO Tier III options.

Only engine specifications for which an applicable high-efficiency turbocharger is available are subject to firm order.

Economiser possibilities for Tier II engines

If a higher steam production is needed, the EEC (economiser energy control) solution offers additional automatic control of an exhaust gas boiler (EGB). Forcing an EGB open at loads where the EGB is normally closed results in a higher exhaust gas temperature, but with a negative impact on SFOC. However, the total fuel consumption (engine and oil-fired boiler) can be improved. Calculations with EEC are made on request.

ME-GI and ME-LGI dual fuel engines

This engine programme includes various engines designed for gas fuel (ME-GI) and liquid gas fuel (ME-LGI engines) operation.

Fuel types

Fuel	Fuel designation	LCV [kJ/kg]
Methane (LNG)	GI	50,000
Methanol	LGIM	19,900
Ammonia	LGIA	18,600
LPG*	LGIP	46,000
Ethane (LEG)	GIE	47,500

*LPG is a mixture of liquid propane and butane.

In this engine programme, engines available for different fuel types are listed in separate sections: GI (page 35), LGIM (page 59), LGIA (page 51), LGIP (page 69), and GIE (page 73). In addition to the mentioned ME-LGIA engine variants also G80ME-C10.7 is available on request at MarineProjectEngineering2S@everllence.com.

Pilot oil energy fraction

In dual-fuel mode, the pilot oil energy fraction amounts to 1.5% or 5.0% for GI, depending on engine type, and 5.0% for LGIM, LGIA, LGIP and GIE. The listed pilot oil energy fractions refer to L1-rated engines operating at 100% load point in IMO Tier II mode. Actual values vary depending on engine rating and load conditions. For actual pilot oil energy fractions, refer to CEAS.

Fuel designation	Available pilot oil fraction [%]	Compatible pilot fuel oil types
GI	1.5/5.0	MDO & fuel oil ($\leq 0.50\%S$)
LGIM	5.0	MDO & fuel oil ($\leq 0.50\%S$)
LGIA	5.0	MDO & fuel oil ($\leq 0.50\%S$)
LGIP	5.0	MDO & fuel oil ($\leq 0.50\%S$)
GIE	5.0	MDO & fuel oil ($\leq 0.50\%S$)

The following fuel consumption figures are shown in the tables for dual fuel engines:

- dual fuel mode with distribution of specific gas consumption (SGC) and specific pilot oil consumption (SPOC)
- fuel oil mode (SFOC)

Heat rate is defined as follows (example for methane as dual fuel):
Heat rate (kJ/kWh) = SGC (g/kWh) × 50 kJ/g + SPOC (g/kWh) × 42.7 kJ/g.

The CEAS report specifies the distribution between SGC and SPOC as well as the heat rate over the load range. The SPOC figures have a tolerance specified as:

- 50% tolerance for 100–65% engine load
- 75% tolerance below 65% engine load

Greenhouse gas emissions

In existing IMO regulations, the energy efficiency design index (EEDI) and the carbon intensity indicator (CII) operate with CO₂ as the only contributor to greenhouse gas (GHG) emissions in a tank-to-wake-perspective. However, IMO is discussing new rules to limit the GHG intensity of fuels in a well-to-wake perspective. These rules would also include methane and nitrous oxide (laughing gas), and not just CO₂.

While IMO negotiations are ongoing, FuelEU Maritime and the EU emissions trading system (ETS) already cover methane slip and laughing gas in a well-to-wake and tank-to-wake perspective, respectively.

Everlence is prepared for these developments and lists the industry-leading, very low (near negligible) methane slip levels for ME-GI engines in the CEAS report.

Tier III technologies

To address compliance with IMO Tier III regulations, an IMO Tier III NO_x reduction technology must be selected. The preferred technology depends on market demands, engine type, other requirements, and operational pattern.

The Emission Project Guide provides more detailed descriptions of these technologies at: www.everlence.com → marine → products → planning-tools-and-downloads → project-guides → two-stroke.

All IMO Tier III engines have at least two operating modes:

- IMO Tier III mode fulfilling the IMO Tier III regulations
- IMO Tier II mode fulfilling the IMO Tier II regulations

For dual-fuel engines there is an IMO Tier II and an IMO Tier III mode for both fuel oil and second fuel – total 4 modes.

Tier III technologies are designed for either low-sulphur fuels ($\leq 0.10\%$) or high-sulphur fuels ($> 0.50\%$ and $\leq 3.50\%$) in Tier III operation. In Tier II operation, the engine is in all cases, except EcoEGR, capable of operating on fuels with a high sulphur content. The fuel sulphur content must be selected when the engine is ordered, as it impacts the engine design.

EGR

The following EGR-matching concepts are available depending on engine bore:

- EGRTC: T/C cut-out matching for ME-C engines with bores ≥ 80 cm
- EGRBP: Bypass matching for some ME-C engines with bores ≤ 70 cm

EcoEGR

EcoEGR is a fuel consumption-optimised version of the EGR engines. Compared to the standard EGR system, EcoEGR engines operate with 10–15% recirculation in Tier II mode and with slightly increased recirculation in Tier III mode. EcoEGR engines can achieve considerable fuel savings when operating on compliant fuels ($\leq 0.50\%$ S).

SCR

Two SCR concepts are available:

- HPSCR: high-pressure SCR with a reactor installed upstream the turbocharger(s)
- LPSCR: low-pressure SCR with a reactor installed downstream the turbocharger(s) is available on a limited set of engine variants

The SCR system must be supplied by an approved supplier.

Fuels

Since 1 January 2020, the global sulphur content for marine fuels must not exceed 0.50%. To ensure compliant operation, one of the following methods must be selected:

- Use a compliant fuel:
 - Global: max. $\leq 0.50\%$ sulphur
 - ECA: max. $\leq 0.10\%$ sulphur
- Use methane, ethane, methanol, or LPG together with a compliant pilot fuel.
- Use a high-sulphur fuel in combination with a SO_x scrubber to obtain an exhaust gas SO_x level equivalent to operation on a compliant fuel.

The fuel specification must be selected at engine order as it impacts the engine design.

Fuel oil with a viscosity below 700 cSt at 50°C can be used.

Application of high-sulphur fuels and SO_x scrubbers

All two-stroke engines in the Everllence marine engine programme are compatible with SO_x scrubbers. A CEAS report with a scrubber solution for dual-fuel engines is available on request at MarineProjectEngineering2S@everllence.com.

Waste heat recovery systems

Waste heat recovery systems (WHRS) are available for certain engine configurations on request for both IMO Tier II and IMO Tier III engines with high-efficiency turbochargers. Further information is available on request at MarineProjectEngineering2S@everllence.com.

Power take off systems

Everllence supports the integration of power take-off (PTO) systems for both IMO Tier II and IMO Tier III engines with high-efficiency turbochargers. PTO systems operate in the margin between the light propeller curve and the load limits of the engine. The magnitude of PTO power permitted is as such influenced by the propeller light running margin applied for the specific project. The specific load of the engine permitted for design, including power for propulsion and PTO power, as a function of speed, is governed by the PTO layout limit.

For further information on the PTO layout limit as well as the availability and integration of PTOs, please contact Everllence. Information about the different PTO solutions can be found in the paper "Shaft generators for low speed main engines" – available at: www.everllence.com → marine → products → planning-tools-and-downloads → technical-papers.

Lubricating oil consumption

The system oil consumption varies according to engine sizes and, operational and maintenance patterns.

Specific cylinder oil consumption

Alpha ACC (Adaptive Cylinder oil Control) is the lubricating mode for Everllence B&W two-stroke engines that involves lube oil dosing proportional to the engine load and to the sulphur content in the fuel being burned.

Dosage:

- 0-0.50% sulphur fuels including methane (LNG), methanol, LPG and ethane (LEG):

Minimum feed rate: 0.6 g/kWh

- >0.50% sulphur fuels (HSFO) (scrubber applications): Feed rate (g/kWh) = ACC × S%,
 - where typically ACC = 0.3 g/kWh × S%

Recommended cylinder oils:

- Cat. II BN 40 cylinder oil is recommended for engines using low-sulphur fuels:
0-0.50% sulphur fuels including methane, methanol, LPG and ethane
- Cat. II BN 100-140+ cylinder oil is recommended for engines using high-sulphur fuels:
>0.50% sulphur fuels

In the past, cylinder lubricating oils have been mixed to optimise the cleaning performance of an oil to the level required by a specific engine, or specific operating conditions. For example, by mixing a Cat. II BN 100 oil with a less efficient BN 40-70 oil. With the introduction of Cat. II BN 40 oils, alternating between high- and low-BN cylinder oils is no longer necessary.

For specific lubrication guidelines, reference is made to the latest lubrication guidelines available for your specific engine type, for example Service Letters. Service Letters are available at:
www.everllence.com → marine → planning-tools-and-downloads → Service Letters.

Extent of delivery

In principle, any binding extent of delivery of Everllence B&W two-stroke engines is to be supplied by our licensee, the engine maker, who should be contacted to determine the execution for the actual project.

Special certification processes will need to be specified before an order is placed if they require a different scope of delivery, for example: engines certified for US EPA.

Engine functionality options

Everllence Asset+ and **Engineering+** engine functionality options enable installation and management of optional updates and features for Everllence B&W engines. It is a range of flexible solutions that can match the individual needs of the end users. Their application depends on the engine and ship type, and they can be ordered directly from our licensees.

Everllence Asset+

Asset+ features consist of the following software and digital solutions:

PMI ACCo

PMI Adaptive Cylinder Control (ACCo) is a fully automatic system that ensures constant optimal engine tuning regardless of engine load, load changes, and varying fuel calorific values. Using performance values from the engine's official shop test as reference, the algorithm adjusts the fuel index and exhaust valve operation of each cylinder. PMI ACCo aims for the lowest possible fuel consumption.

PMI ACCo is the standard configuration for ME-C10.7 and dual fuel engines.

Synchrophasing

Synchrophasing is an effective, maintenance-free tool introduced for ship types with twin propulsion to reduce vibrations on both vessel and engine structures. Vibrations are reduced by synchronising the port and starboard shaft speeds, thereby out-balancing forces/ moments from the starboard engine/propeller with the same forces/ moments from the portside engine/ propeller.

Vibrations can be reduced by up to 50-70% depending on sea wave state and vessel roll/pitch. Synchrophasing is available on request for all ME-C engines.

PTO interface option C

PTO interface option C is an enhanced interface between the engine control system (ECS) and the vessel's power management system (PMS) for plants with a large power take-off (PTO) or shaft generator capacity relative to the SMCR-power.

The enhanced interface improves governor stability and performance, and increases PTO power availability in the design. In addition, PTO interface option C provides signals to the PMS that enable automatic load sharing between the main engine, the PTO, and the gensets. This ensures a higher utilisation rate of the PTO, thus reducing the genset's running hours. If power is supplied solely by the PTO, it will also reduce the risk of blackout without overloading of the engine.

PTO interface option C is available on request for all ME-C engines equipped with a large PTO.

PTO PowerMax

PTO PowerMax for EEDI adds additional benefits for engines using PTO interface option C. By applying the EEDI guideline's option 2 for accounting for the PTO, the EEDI can be improved, especially, but not exclusively, for vessels with a large onboard electric power consumption. At the same time, it ensures installation of a main engine with sufficient power and, hereby, torque capacity for driving the PTO in conditions less ideal than at sea trial.

AutoTorque

A new governor control mode in the main engine control system aiming to keep the fuel injection stable in dynamic sea conditions. By maintaining a stable fuel injection and allowing the propeller to vary from the speed setpoint to a slightly higher speed, AutoTorque offers a smoother governor control, providing higher fuel efficiency when operating under the influence of waves.

AutoTorque is available for all ME-C Tier III engines. It will be part of the standard configuration for engines of bore sizes 80 and above, and built on design specifications ordered after 1 September 2025. For smaller-bore engine sizes, AutoTorque can be added upon request.

Everllence Engineering+

Everllence Engineering+ solutions are unique engineering designs as described in the following:

Adaptive Cooling

Adaptive Cooling is an improved design of the piping and valve arrangement for automatic control of the cooling water flow to the scavenge air cooler and the exhaust gas recirculation cooler for EGR engines, depending on the engine operating mode.

It reduces the power consumption for cooling water circulation significantly when running in IMO Tier II mode (EGRBP engines) or TC cut-out mode (EGRTC engines), see page 12, and, as a result, typically reduces fuel consumption and improves the CII rating.

Adaptive Cooling is available on request for all EGRBP and EGRTC engines.

Two-stage Cooler

The Two-stage Cooler is a new scavenge air cooler design that uniquely enables utilisation of the energy from the scavenge air cooling process for other energy-consuming processes on board, such as increasing the boiler feedwater temperature, gas vaporisation, freshwater production, air condition heating, organic Rankine cycle system, or the ballast water treatment system. This typically leads to lower fuel consumption and improved CII rating.

The Two-stage Cooler is available on request for all Everllence B&W two-stroke engines, based on a case-specific pre-study conducted by Everllence.

Gas Return System

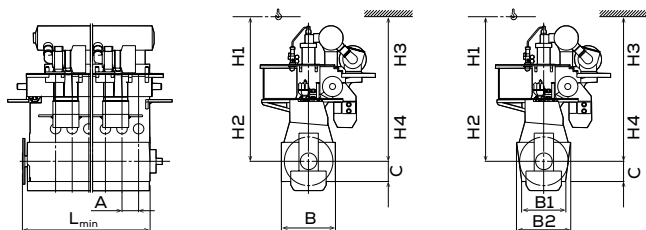
The gas return system is an innovative solution that captures gas emitted during blowdown events when the main engine gas operation is stopped. This prevents unnecessary emissions and repurposes the gas for onboard energy consumption.

The system typically enhances energy efficiency, reduces methane emissions and fuel consumption, and improves CII rating.

It is available for all newbuild Everllence B&W dual-fuel ME-GI engines.

Engine dimensions

The minimum length of engine (L_{min}) is stated from the aft end of the crankshaft to the fore end of the engine.



L_{min} Minimum length of engine

A Cylinder distance

B Bedplate width

B1 Bedplate width at foot flange

B2 Bedplate width at top flange

C Crankshaft to underside of foot flange

H1 Normal height lifting procedure

H2 Reduced height lifting procedure

H3 Reduced height lifting procedure with double-jib crane

H4 Normal height lifting procedure with double-jib crane

Dry masses

Dry masses are stated in metric tonnes for engines with Everllence turbocharger(s) and a standard turning wheel. Figures will vary depending on the design and options chosen, for example, moment compensators, turning wheel, etc.

Dry masses for IMO Tier III engines cover components directly integrated on the engine.

Indicated values are for guidance only and are not binding.

Engine type designation

5G70ME-C10.58-GI-HPSCR

- **Tier III technology**
 - (blank) Tier II only
 - EGRTC EGR with TC cut-out matching
 - EcoEGR EGR in Tier II and Tier III mode
 - EGRBP EGR with bypass matching
 - HPSCR High-pressure SCR
 - LPSCR Low-pressure SCR
- **Fuel injection concept**
 - (blank) Fuel oil only
 - GI Gas injection
 - LGIM Liquid gas injection methanol
 - LGIA Liquid gas injection ammonia
 - LGIP Liquid gas injection LPG
 - GIE Gas injection ethane
- **Dot (.) number**
- **Mark number**
- **Engine concept**
 - ME-C Electronically controlled
- **Diameter of cylinder bore in cm**
- **Stroke/bore ratio**
 - G 'Green' ultra long stroke
 - S Super long stroke
- **Number of cylinders**

Engine fuel variants (Official catalogue)

Engine type	Fuel oil	GI	LGIA	LGIM	LGIP	GIE
G95ME-C10.7	•	•		•		
G95ME-C10.5		•				
G80ME-C10.7	•	•		•		
G80ME-C10.5		•				
G70ME-C10.7	•	•	•	•		
G70ME-C10.58	•	•				
G70ME-C10.5		•				
G60ME-C10.5	•	•	•	•	•	
G60ME-C9.5						•
S60ME-C10.7	•	•		•		
S60ME-C10.5		•	•			
G50ME-C10.7	•	•	•	•		
G50ME-C9.6					•	
G50ME-C9.5						•
S50ME-C10.7	•	•	•	•		
S50ME-C9.7		•				
G45ME-C9.7	•			•		
G45ME-C9.5		•				
S40ME-C9.5	•					
S35ME-C9.7	•	•				

Engine fuel variants (Replaced catalogue)

Engine type	Fuel oil	GI	LGIM	LGIP	GIE
G95ME-C10.5	•		•		
G80ME-C10.5	•		•		
G70ME-C10.5	•				
S60ME-C10.5	•				
G50ME-C9.6	•	•	•		
S50ME-C9.7	•				
S35MC-C9.2	•				
S35MC7.1	•				
L35MC6.1	•				

Tier III technology variants

Engine type	EGRTC	EGRBP	EcoEGR	HPSCR	LPSCR
G95ME-C10.7	●		●	●	●
G95ME-C10.5	●		●	●	●
G80ME-C10.7	●		●	●	●
G80ME-C10.5	●		●	●	●
G70ME-C10.7		●	●	●	
G70ME-C10.58		●	●	●	
G70ME-C10.5		●	●	●	
G60ME-C10.5			●	●	
G60ME-C9.5				●	
S60ME-C10.7		●	●	●	
S60ME-C10.5		●	●	●	
G50ME-C10.7		●	●	●	
G50ME-C9.6				●	
G50ME-C9.5				●	
S50ME-C10.7			●	●	
S50ME-C9.7		●		●	
G45ME-C9.7		●	●	●	
G45ME-C9.5		●		●	
S40ME-C9.5			●	●	
S35ME-C9.7			●	●	●

Tier III technology variants (Replaced catalogue)

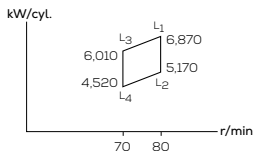
Engine type	EGRTC	EGRBP	EcoEGR	HPSCR	LPSCR
G95ME-C10.5	●		●	●	●
G80ME-C10.5	●		●	●	●
G70ME-C10.5		●	●	●	●
S60ME-C10.5		●	●	●	
G50ME-C9.6		●	●	●	
S50ME-C9.7		●	●	●	

Fuel oil

Fuel variants	Page
Fuel oil	23
Methane/LNG (GI)	35
Ammonia (LGIA)	51
Methanol (LGIM)	59
LPG (LGIP)	69
Ethane/LEG (GIE)	73
Specifications (dimensions and dry masses)	77

Cyl.	L ₁ kW
6	41,220
7	48,090
8	54,960
9	61,830
10	68,700
11	75,570
12	82,440

Stroke: 3,460 mm/L₁ MEP: 21.0 bar



Everlence B&W G95ME-C10.7

L₁ SFOC [g/kWh]

Opt. load range	50%	75%	100%
Low-load SEQ	153.0	157.0	163.5

Everlence B&W G95ME-C10.7-EGRTC

L₁ SFOC [g/kWh]

	50%	75%	100%
Tier II mode	153.0	157.0	163.5
Tier III mode	159.0	161.5	168.5

Everlence B&W G95ME-C10.7-EcoEGR

L₁ SFOC [g/kWh]

	50%	75%	100%
Tier II mode	154.0	154.0	161.5
Tier III mode	160.0	161.0	166.5

Everlence B&W G95ME-C10.7-HPSCR

L₁ SFOC [g/kWh]

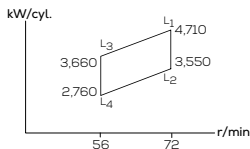
	50%	75%	100%
Tier II mode	153.0	157.0	163.5
Tier III mode	156.0	157.5	164.0

Everlence B&W G95ME-C10.7-LPSCR

L₁ SFOC [g/kWh]

	50%	75%	100%
Tier II mode	153.0	157.0	163.5
Tier III mode	160.0	160.0	165.5

Cyl.	L ₁ kW
6	28,260
7	32,970
8	37,680
9	42,390

Stroke: 3,720 mm/L₁ MEP: 21.0 bar**Everllence B&W G80ME-C10.7****L₁ SFOC [g/kWh]**

Opt. load range	50%	75%	100%
Low-load SEQ	154.0	158.0	164.5

Everllence B&W G80ME-C10.7-EGRTC**L₁ SFOC [g/kWh]**

	50%	75%	100%
Tier II mode	154.0	158.0	164.5
Tier III mode	160.0	162.5	169.5

Everllence B&W G80ME-C10.7-EcoEGR**L₁ SFOC [g/kWh]**

	50%	75%	100%
Tier II mode	155.0	155.0	162.5
Tier III mode	161.0	162.0	167.5

Everllence B&W G80ME-C10.7-HPSCR**L₁ SFOC [g/kWh]**

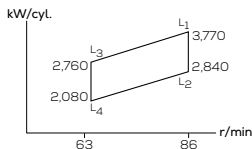
	50%	75%	100%
Tier II mode	154.0	158.0	164.5
Tier III mode	157.0	158.5	165.0

Everllence B&W G80ME-C10.7-LPSCR**L₁ SFOC [g/kWh]**

	50%	75%	100%
Tier II mode	154.0	158.0	164.5
Tier III mode	161.0	161.0	166.5

Cyl.	L ₁ kW
5	18,850
6	22,620

Stroke: 3,256 mm/L₁ MEP: 21.0 bar



Everlence B&W G70ME-C10.7

L₁ SFOC [g/kWh]

Opt. load range	50%	75%	100%
Low-load EGB	158.0	159.0	165.5

Everlence B&W G70ME-C10.7-EGRBP

L₁ SFOC [g/kWh]

	50%	75%	100%
Tier II mode	161.0	162.5	170.0
Tier III mode	163.0	163.0	168.5

Everlence B&W G70ME-C10.7-EcoEGR

L₁ SFOC [g/kWh]

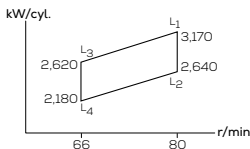
	50%	75%	100%
Tier II mode	157.0	155.0	162.5
Tier III mode	163.0	163.0	168.5

Everlence B&W G70ME-C10.7-HPSCR

L₁ SFOC [g/kWh]

	50%	75%	100%
Tier II mode	158.0	159.0	165.5
Tier III mode	159.0	159.5	166.0

Cyl.	L ₁ kW
5	15,850
6	19,020

Stroke: 3,256 mm/L₁ MEP: 19.0 bar**Everllence B&W G70ME-C10.58****L₁ SFOC [g/kWh]**

Opt. load range	50%	75%	100%
Low-load EGB	158.0	158.0	164.5

Everllence B&W G70ME-C10.58-EGRBP**L₁ SFOC [g/kWh]**

	50%	75%	100%
Tier II mode	159.5	160.5	168.0
Tier III mode	164.5	165.0	171.5

Everllence B&W G70ME-C10.58-EcoEGR**L₁ SFOC [g/kWh]**

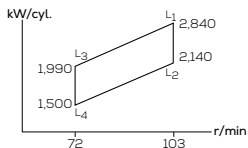
	50%	75%	100%
Tier II mode	156.5	155.0	162.5
Tier III mode	162.5	162.0	167.5

Everllence B&W G70ME-C10.58-HPSCR**L₁ SFOC [g/kWh]**

	50%	75%	100%
Tier II mode	157.5	158.0	164.5
Tier III mode	158.5	158.5	165.0

Cyl.	L ₁ kW
5	14,200
6	17,040
7	19,880
8	22,720

Stroke: 2,790 mm/L₁ MEP: 21.0 bar



Everlence B&W G60ME-C10.5

L₁ SFOC [g/kWh]

Opt. load range	50%	75%	100%
Low-load EGB	159.0	160.0	166.5

Everlence B&W G60ME-C10.5-EcoEGR

L₁ SFOC [g/kWh]

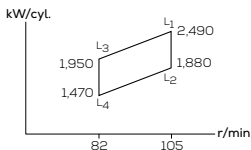
	50%	75%	100%
Tier II mode	158.0	157.0	164.5
Tier III mode	164.0	164.0	169.5

Everlence B&W G60ME-C10.5-HPSCR

L₁ SFOC [g/kWh]

	50%	75%	100%
Tier II mode	159.0	160.0	166.5
Tier III mode	160.0	160.5	167.0

Cyl.	L ₁ kW
5	12,450
6	14,940
7	17,430
8	19,920

Stroke: 2,400 mm/L₁ MEP: 21.0 bar**Everllence B&W S60ME-C10.7****L₁ SFOC [g/kWh]**

Opt. load range	50%	75%	100%
Low-load EGB	159.0	160.0	166.5

Everllence B&W S60ME-C10.7-EGRBP**L₁ SFOC [g/kWh]**

	50%	75%	100%
Tier II mode	162.0	163.5	171.0
Tier III mode	164.0	164.0	169.5

Everllence B&W S60ME-C10.7-EcoEGR**L₁ SFOC [g/kWh]**

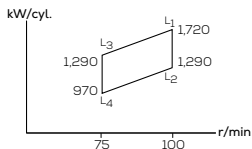
	50%	75%	100%
Tier II mode	158.0	156.0	163.5
Tier III mode	164.0	164.0	169.5

Everllence B&W S60ME-C10.7-HPSCR**L₁ SFOC [g/kWh]**

	50%	75%	100%
Tier II mode	159.0	160.0	166.5
Tier III mode	160.0	160.5	167.0

Cyl.	L ₁ kW
5	8,600
6	10,320
7	12,040
8	13,760

Stroke: 2,500 mm/L₁ MEP: 21.0 bar



Everllence B&W G50ME-C10.7

L₁ SFOC [g/kWh]

Opt. load range	50%	75%	100%
Low-load EGB	160.0	160.0	166.5

Everllence B&W G50ME-C10.7-EGRBP

L₁ SFOC [g/kWh]

	50%	75%	100%
Tier II mode	163.0	163.5	171.0
Tier III mode	165.0	164.0	169.5

Everllence B&W G50ME-C10.7-EcoEGR

L₁ SFOC [g/kWh]

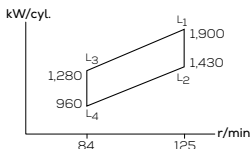
	50%	75%	100%
Tier II mode	159.0	156.0	163.5
Tier III mode	165.0	164.0	169.5

Everllence B&W G50ME-C10.7-HPSCR

L₁ SFOC [g/kWh]

	50%	75%	100%
Tier II mode	160.0	160.0	166.5
Tier III mode	161.0	160.5	167.0

Cyl.	L ₁ kW
5	9,500
6	11,400
7	13,300
8	15,200
9	17,100

Stroke: 2,214 mm/L₁ MEP: 21.0 bar**Everllence B&W S50ME-C10.7****L₁ SFOC [g/kWh]**

Opt. load range	50%	75%	100%
Low-load EGB	161.0	161.0	167.5

Everllence B&W S50ME-C10.7-EcoEGR**L₁ SFOC [g/kWh]**

	50%	75%	100%
Tier II mode	160.0	157.0	164.5
Tier III mode	166.0	165.0	170.5

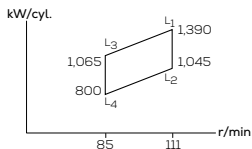
Everllence B&W S50ME-C10.7-HPSCR**L₁ SFOC [g/kWh]**

	50%	75%	100%
Tier II mode	161.0	161.0	167.5
Tier III mode	162.0	161.5	168.0

Note: S50ME-C10.7-EGRBP available on request

Cyl.	L ₁ kW
5	6,950
6	8,340
7	9,730
8	11,120

Stroke: 2,250 mm/L₁ MEP: 21.0 bar



Everllence B&W G45ME-C9.7

L₁ SFOC [g/kWh]

Opt. load range	50%	75%	100%
Low-load EGB	163.0	163.0	169.5

Everllence B&W G45ME-C9.7-EGRBP

L₁ SFOC [g/kWh]

	50%	75%	100%
Tier II mode	163.0	163.5	171.0
Tier III mode	168.0	168.0	174.5

Everllence B&W G45ME-C9.7-EcoEGR

L₁ SFOC [g/kWh]

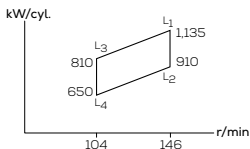
	50%	75%	100%
Tier II mode	162.0	160.0	167.5
Tier III mode	168.0	167.0	172.5

Everllence B&W G45ME-C9.7-HPSCR

L₁ SFOC [g/kWh]

	50%	75%	100%
Tier II mode	163.0	163.0	169.5
Tier III mode	164.0	163.5	170.0

Cyl.	L ₁ kW
5	5,675
6	6,810
7	7,945
8	9,080
9*	10,215

Stroke: 1,770 mm/L₁ MEP: 21.0 bar**Everllence B&W S40ME-C9.5****L₁ SFOC [g/kWh]**

Opt. load range	50%	75%	100%
Low-load EGB	171.0	170.0	176.5

Everllence B&W S40ME-C9.5-EcoEGR**L₁ SFOC [g/kWh]**

	50%	75%	100%
Tier II mode	170.0	167.0	174.5
Tier III mode	176.0	174.0	179.5

Everllence B&W S40ME-C9.5-HPSCR**L₁ SFOC [g/kWh]**

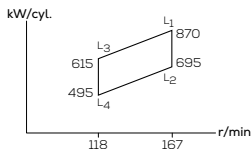
	50%	75%	100%
Tier II mode	171.0	170.0	176.5
Tier III mode	172.0	170.5	177.0

Note: All fuel consumption figures are based on engine driven HPS

* Not available with HPSCR

Cyl.	L ₁ kW
5	4,350
6	5,220
7	6,090
8	6,960

Stroke: 1,550 mm/L₁ MEP: 21.0 bar



Everlence B&W S35ME-C9.7

L₁ SFOC [g/kWh]

Opt. load range	50%	75%	100%
Low-load EGB	168.0	167.0	173.5

Everlence B&W S35ME-C9.7-EcoEGR

L₁ SFOC [g/kWh]

	50%	75%	100%
Tier II mode	167.0	164.0	171.5
Tier III mode	173.0	171.0	176.5

Everlence B&W S35ME-C9.7-HPSCR

L₁ SFOC [g/kWh]

	50%	75%	100%
Tier II mode	168.0	167.0	173.5
Tier III mode	169.0	167.5	174.0

Everlence B&W S35ME-C9.7-LPSCR

L₁ SFOC [g/kWh]

	50%	75%	100%
Tier II mode	168.0	167.0	173.5
Tier III mode	171.0	169.0	174.0

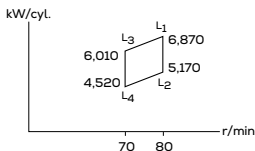
Note: All fuel consumption figures are based on engine driven HPS

Methane/LNG (GI)

Fuel variants	Page
Fuel oil	23
Methane/LNG (GI)	35
Ammonia (LGIA)	51
Methanol (LGIM)	59
LPG (LGIP)	69
Ethane/LEG (GIE)	73
Specifications (dimensions and dry masses)	77

Cyl.	L ₁ kW
6	41,220
7	48,090
8	54,960
9	61,830
10	68,700
11	75,570
12	82,440

Stroke: 3,460 mm/L₁ MEP: 21.0 bar



Everlence B&W G95ME-C10.7-GI

L₁ dual fuel mode (SGC+SPOC (1.5%))/fuel oil mode (SFOC) [g/kWh]

	50%	75%	100%
Low-load SEQ	127.3+3.8/154.0	128.9+2.9/158.0	135.9+2.4/164.5

Everlence B&W G95ME-C10.7-GI-EGRTC

L₁ dual fuel mode (SGC+SPOC (1.5%))/fuel oil mode (SFOC) [g/kWh]

	50%	75%	100%
Tier II mode	127.3+3.8/154.0	128.9+2.9/158.0	135.9+2.4/164.5
Tier III mode	132.4+3.8/160.0	134.5+2.9/162.5	140.1+2.4/169.5

Everlence B&W G95ME-C10.7-GI-EcoEGR

L₁ dual fuel mode (SGC+SPOC (1.5%))/fuel oil mode (SFOC) [g/kWh]

	50%	75%	100%
Tier II mode	128.2+3.8/155.0	128.1+2.9/155.0	134.2+2.4/162.5
Tier III mode	133.3+3.8/161.0	134.0+2.9/162.0	138.4+2.4/167.5

Everlence B&W G95ME-C10.7-GI-HPSCR

L₁ dual fuel mode (SGC+SPOC (1.5%))/fuel oil mode (SFOC) [g/kWh]

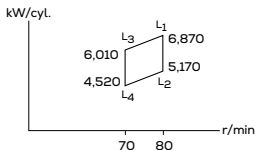
	50%	75%	100%
Tier II mode	127.3+3.8/154.0	128.9+2.9/158.0	135.9+2.4/164.5
Tier III mode	129.9+3.8/157.0	131.1+2.9/158.5	136.3+2.4/165.0

Everlence B&W G95ME-C10.7-GI-LPSCR

L₁ dual fuel mode (SGC+SPOC (1.5%))/fuel oil mode (SFOC) [g/kWh]

	50%	75%	100%
Tier II mode	127.3+3.8/154.0	128.9+2.9/158.0	135.9+2.4/164.5
Tier III mode	133.3+3.8/161.0	133.2+2.9/161.0	137.6+2.4/166.5

Cyl.	L ₁ kW	Stroke: 3,460 mm/L ₁ MEP: 21.0 bar
6	41,220	
7	48,090	
8	54,960	
9	61,830	
10	68,700	
11	75,570	
12	82,440	



Everllence B&W G95ME-C10.5-GI

L1 dual fuel mode (SGC+SPOC (1.5%))/fuel oil mode (SFOC) [g/kWh]

	50%	75%	100%
Low-load EPT	129.9+3.8/156.0	132.8+2.9/158.0	141.0+2.4/164.5

Everllence B&W G95ME-C10.5-GI-EGRTC

L1 dual fuel mode (SGC+SPOC (1.5%))/fuel oil mode (SFOC) [g/kWh]

	50%	75%	100%
Tier II mode	127.3+3.8/154.0	132.8+2.9/158.0	141.0+2.4/164.5
Tier III mode	133.3+3.8/160.0	138.3+2.9/162.5	145.3+2.4/169.5

Everllence B&W G95ME-C10.5-GI-EcoEGR

L1 dual fuel mode (SGC+SPOC (1.5%))/fuel oil mode (SFOC) [g/kWh]

	50%	75%	100%
Tier II mode	129.0+3.8/155.0	131.9+2.9/155.0	139.3+2.4/162.5
Tier III mode	134.1+3.8/161.0	137.9+2.9/162.0	143.5+2.4/167.5

Everllence B&W G95ME-C10.5-GI-HPSCR

L₁ dual fuel mode (SGC+SPOC (1.5%))/fuel oil mode (SFOC) [g/kWh]

	50%	75%	100%
Tier II mode	129.9+3.8/156.0	132.8+2.9/158.0	141.0+2.4/164.5
Tier III mode	130.7+3.8/157.0	134.9+2.9/158.5	141.4+2.4/165.0

Everllence B&W G95ME-C10.5-GI-LPSCR

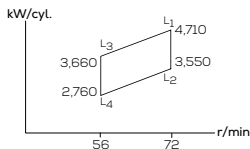
L1 dual fuel mode (SGC+SPOC (1.5%))/fuel oil mode (SFOC) [g/kWh]

	50%	75%	100%
Tier II mode	129.9+3.8/156.0	132.8+2.9/158.0	141.0+2.4/164.5
Tier III mode	134.1+3.8/161.0	137.0+2.9/161.0	142.7+2.4/166.5

Note: G95ME-C10.5/-LGIM variants available as replaced engines

Cyl.	L ₁ kW
6	28,260
7	32,970
8	37,680
9	42,390

Stroke: 3,720 mm/L₁ MEP: 21.0 bar



Everlence B&W G80ME-C10.7-GI

L₁ dual fuel mode (SGC+SPOC (1.5%))/fuel oil mode (SFOC) [g/kWh]

	50%	75%	100%
Low-load SEQ	128.1+3.9/155.0	129.8+2.9/159.0	136.7+2.4/165.5

Everlence B&W G80ME-C10.7-GI-EGRTC

L₁ dual fuel mode (SGC+SPOC (1.5%))/fuel oil mode (SFOC) [g/kWh]

	50%	75%	100%
Tier II mode	128.1+3.9/155.0	129.8+2.9/159.0	136.7+2.4/165.5
Tier III mode	133.3+3.9/161.0	135.3+2.9/163.5	141.0+2.4/170.5

Everlence B&W G80ME-C10.7-GI-EcoEGR

L₁ dual fuel mode (SGC+SPOC (1.5%))/fuel oil mode (SFOC) [g/kWh]

	50%	75%	100%
Tier II mode	129.0+3.9/156.0	128.9+2.9/156.0	135.0+2.4/163.5
Tier III mode	134.1+3.9/162.0	134.9+2.9/163.0	139.3+2.4/168.5

Everlence B&W G80ME-C10.7-GI-HPSCR

L₁ dual fuel mode (SGC+SPOC (1.5%))/fuel oil mode (SFOC) [g/kWh]

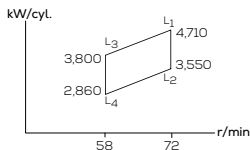
	50%	75%	100%
Tier II mode	128.1+3.9/155.0	129.8+2.9/159.0	136.7+2.4/165.5
Tier III mode	130.7+3.9/158.0	131.9+2.9/159.5	137.1+2.4/166.0

Everlence B&W G80ME-C10.7-GI-LPSCR

L₁ dual fuel mode (SGC+SPOC (1.5%))/fuel oil mode (SFOC) [g/kWh]

	50%	75%	100%
Tier II mode	128.1+3.9/155.0	129.8+2.9/159.0	136.7+2.4/165.5
Tier III mode	134.1+3.9/162.0	134.0+2.9/162.0	138.4+2.4/167.5

Cyl.	L ₁ kW
6	28,260
7	32,970
8	37,680
9	42,390

Stroke: 3,720 mm/L₁ MEP: 21.0 bar**Everllence B&W G80ME-C10.5-GI**

	L ₁ dual fuel mode (SGC+SPOC (1.5%))/fuel oil mode (SFOC) [g/kWh]		
	50%	75%	100%
Low-load EPT	129.8+3.9/157.0	132.8+2.9/159.0	141.0+2.4/165.5

Everllence B&W G80ME-C10.5-GI-EGRTC

	L ₁ dual fuel mode (SGC+SPOC (1.5%))/fuel oil mode (SFOC) [g/kWh]		
	50%	75%	100%
Tier II mode	128.1+3.9/155.0	132.8+2.9/159.0	141.0+2.4/165.5
Tier III mode	133.3+3.9/161.0	138.3+2.9/163.5	145.2+2.4/170.5

Everllence B&W G80ME-C10.5-GI-EcoEGR

	L ₁ dual fuel mode (SGC+SPOC (1.5%))/fuel oil mode (SFOC) [g/kWh]		
	50%	75%	100%
Tier II mode	129.0+3.9/156.0	131.9+2.9/156.0	139.3+2.4/163.5
Tier III mode	134.1+3.9/162.0	137.9+2.9/163.0	143.5+2.4/168.5

Everllence B&W G80ME-C10.5-GI-HPSCR

	L ₁ dual fuel mode (SGC+SPOC (1.5%))/fuel oil mode (SFOC) [g/kWh]		
	50%	75%	100%
Tier II mode	129.8+3.9/157.0	132.8+2.9/159.0	141.0+2.4/165.5
Tier III mode	130.7+3.9/158.0	134.9+2.9/159.5	141.4+2.4/166.0

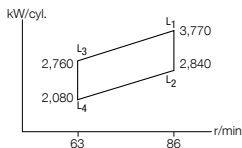
Everllence B&W G80ME-C10.5-GI-LPSCR

	L ₁ dual fuel mode (SGC+SPOC (1.5%))/fuel oil mode (SFOC) [g/kWh]		
	50%	75%	100%
Tier II mode	129.8+3.9/157.0	132.8+2.9/159.0	141.0+2.4/165.5
Tier III mode	134.1+3.9/162.0	137.0+2.9/162.0	142.7+2.4/167.5

Note: G80ME-C10.5/-LGIM variants available as replaced engines

Cyl.	L ₁ kW
5	18,850
6	22,620

Stroke: 3,256 mm/L₁ MEP: 21.0 bar



Everllence B&W G70ME-C10.7-GI

L₁ dual fuel mode (SGC+SPOC (1.5%))/fuel oil mode (SFOC) [g/kWh]

	50%	75%	100%
Low-load EGB	131.5+3.9/160.5	130.6+3.0/161.5	137.5+2.4/168.0

Everllence B&W G70ME-C10.7-GI-EGRBP

L₁ dual fuel mode (SGC+SPOC (1.5%))/fuel oil mode (SFOC) [g/kWh]

	50%	75%	100%
Tier II mode	134.1+3.9/163.5	135.3+3.0/165.0	141.4+2.4/172.5
Tier III mode	135.8+3.9/165.5	135.7+3.0/165.5	140.1+2.4/171.0

Everllence B&W G70ME-C10.7-GI-EcoEGR

L₁ dual fuel mode (SGC+SPOC (1.5%))/fuel oil mode (SFOC) [g/kWh]

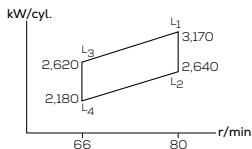
	50%	75%	100%
Tier II mode	130.7+3.9/159.5	128.9+3.0/157.5	135.0+2.4/165.0
Tier III mode	135.8+3.9/165.5	135.7+3.0/165.5	140.1+2.4/171.0

Everllence B&W G70ME-C10.7-GI-HPSCR

L₁ dual fuel mode (SGC+SPOC (1.5%))/fuel oil mode (SFOC) [g/kWh]

	50%	75%	100%
Tier II mode	131.5+3.9/160.5	130.6+3.0/161.5	137.5+2.4/168.0
Tier III mode	132.4+3.9/161.5	132.7+3.0/162.0	138.0+2.4/168.5

Cyl.	L ₁ kW
5	15,850
6	19,020

Stroke: 3,256 mm/L₁ MEP: 19.0 bar**Everllence B&W G70ME-C10.58-GI****L₁ dual fuel mode (SGC+SPOC (1.5%))/fuel oil mode (SFOC) [g/kWh]**

	50%	75%	100%
Low-load EGB	130.5+3.9/160.5	130.8+2.9/162.0	137.9+2.4/168.5

Everllence B&W G70ME-C10.58-GI-EGRBP**L₁ dual fuel mode (SGC+SPOC (1.5%))/fuel oil mode (SFOC) [g/kWh]**

	50%	75%	100%
Tier II mode	130.5+3.9/160.5	131.2+2.9/162.5	139.2+2.4/170.0
Tier III mode	134.8+3.9/163.5	136.7+2.9/163.0	142.2+2.4/168.5

Everllence B&W G70ME-C10.58-GI-EcoEGR**L₁ dual fuel mode (SGC+SPOC (1.5%))/fuel oil mode (SFOC) [g/kWh]**

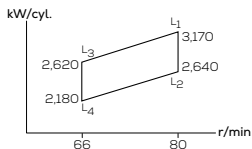
	50%	75%	100%
Tier II mode	129.7+3.9/157.5	130.8+2.9/156.0	137.9+2.4/163.5
Tier III mode	134.8+3.9/163.5	136.7+2.9/163.0	142.2+2.4/168.5

Everllence B&W G70ME-C10.58-GI-HPSCR**L₁ dual fuel mode (SGC+SPOC (1.5%))/fuel oil mode (SFOC) [g/kWh]**

	50%	75%	100%
Tier II mode	130.5+3.9/160.5	130.8+2.9/162.0	137.9+2.4/168.5
Tier III mode	131.4+3.9/159.5	132.9+2.9/158.5	138.3+2.4/164.0

Cyl.	L ₁ kW
5	15,850
6	19,020

Stroke: 3,256 mm/L₁ MEP: 19.0 bar



Everllence B&W G70ME-C10.5-GI

L₁ dual fuel mode (SGC+SPOC (1.5%))/fuel oil mode (SFOC) [g/kWh]

	50%	75%	100%
Low-load EGB	133.0+3.9/162.0	134.1+3.0/162.5	142.1+2.5/169.0

Everllence B&W G70ME-C10.5-GI-EGRBP

L₁ dual fuel mode (SGC+SPOC (1.5%))/fuel oil mode (SFOC) [g/kWh]

	50%	75%	100%
Tier II mode	133.0+3.9/162.0	134.6+3.0/163.0	143.4+2.5/170.5
Tier III mode	137.3+3.9/167.0	140.1+3.0/167.5	146.4+2.5/174.0

Everllence B&W G70ME-C10.5-GI-EcoEGR

L₁ dual fuel mode (SGC+SPOC (1.5%))/fuel oil mode (SFOC) [g/kWh]

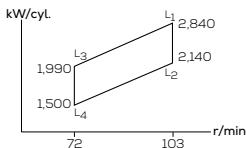
	50%	75%	100%
Tier II mode	132.2+3.9/161.0	133.3+3.0/159.5	140.4+2.5/167.0
Tier III mode	137.3+3.9/167.0	139.3+3.0/166.5	144.7+2.5/172.0

Everllence B&W G70ME-C10.5-GI-HPSCR

L₁ dual fuel mode (SGC+SPOC (1.5%))/fuel oil mode (SFOC) [g/kWh]

	50%	75%	100%
Tier II mode	133.0+3.9/162.0	134.1+3.0/162.5	142.1+2.5/169.0
Tier III mode	133.9+3.9/163.0	136.3+3.0/163.0	142.6+2.5/169.5

Cyl.	L ₁ kW
5	14,200
6	17,040
7	19,880
8	22,720

Stroke: 2,790 mm/L₁ MEP: 21.0 bar**Everllence B&W G60ME-C10.5-GI****L₁ dual fuel mode (SGC+SPOC (1.5%))/fuel oil mode (SFOC) [g/kWh]**

	50%	75%	100%
Low-load EGB	132.4+3.9/161.5	134.4+3.0/162.5	142.7+2.5/169.0

Everllence B&W G60ME-C10.5-GI-EcoEGR**L₁ dual fuel mode (SGC+SPOC (1.5%))/fuel oil mode (SFOC) [g/kWh]**

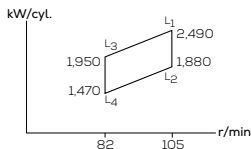
	50%	75%	100%
Tier II mode	131.5+3.9/160.5	133.6+3.0/159.5	140.9+2.5/167.0
Tier III mode	136.6+3.9/166.5	139.6+3.0/166.5	145.2+2.5/172.0

Everllence B&W G60ME-C10.5-GI-HPSCR**L₁ dual fuel mode (SGC+SPOC (1.5%))/fuel oil mode (SFOC) [g/kWh]**

	50%	75%	100%
Tier II mode	132.4+3.9/161.5	134.4+3.0/162.5	142.7+2.5/169.0
Tier III mode	133.2+3.9/162.5	136.6+3.0/163.0	143.1+2.5/169.5

Cyl.	L ₁ kW
5	12,450
6	14,940
7	17,430
8	19,920

Stroke: 2,400 mm/L₁ MEP: 21.0 bar



Everllence B&W S60ME-C10.7-GI

L₁ dual fuel mode (SGC+SPOC (1.5%))/fuel oil mode (SFOC) [g/kWh]

	50%	75%	100%
Low-load EGB	132.4+3.9/161.5	131.4+3.0/162.5	138.4+2.5/169.0

Everllence B&W S60ME-C10.7-GI-EGRBP

L₁ dual fuel mode (SGC+SPOC (1.5%))/fuel oil mode (SFOC) [g/kWh]

	50%	75%	100%
Tier II mode	134.9+3.9/164.5	136.1+3.0/166.0	142.2+2.5/173.5
Tier III mode	136.6+3.9/166.5	136.6+3.0/166.5	140.9+2.5/172.0

Everllence B&W S60ME-C10.7-GI-EcoEGR

L₁ dual fuel mode (SGC+SPOC (1.5%))/fuel oil mode (SFOC) [g/kWh]

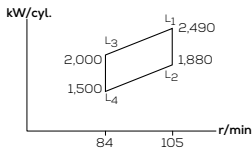
	50%	75%	100%
Tier II mode	131.5+3.9/160.5	129.7+3.0/158.5	135.8+2.5/166.0
Tier III mode	136.6+3.9/166.5	136.6+3.0/166.5	140.9+2.5/172.0

Everllence B&W S60ME-C10.7-GI-HPSCR

L₁ dual fuel mode (SGC+SPOC (1.5%))/fuel oil mode (SFOC) [g/kWh]

	50%	75%	100%
Tier II mode	132.4+3.9/161.5	131.4+3.0/162.5	138.4+2.5/169.0
Tier III mode	133.2+3.9/162.5	133.6+3.0/163.0	138.8+2.5/169.5

Cyl.	L ₁ kW
5	12,450
6	14,940
7	17,430
8	19,920

Stroke: 2,400 mm/L₁ MEP: 21.0 bar**Everllence B&W S60ME-C10.5-GI****L₁ dual fuel mode (SGC+SPOC (1.5%))/fuel oil mode (SFOC) [g/kWh]**

	50%	75%	100%
Low-load EGB	134.9+4.0/164.5	136.9+3.0/165.5	145.2+2.5/172.0

Everllence B&W S60ME-C10.5-GI-EGRBP**L₁ dual fuel mode (SGC+SPOC (1.5%))/fuel oil mode (SFOC) [g/kWh]**

	50%	75%	100%
Tier II mode	134.9+4.0/164.5	137.4+3.0/166.0	146.5+2.5/173.5
Tier III mode	139.1+4.0/169.5	142.9+3.0/170.5	149.4+2.5/177.0

Everllence B&W S60ME-C10.5-GI-EcoEGR**L₁ dual fuel mode (SGC+SPOC (1.5%))/fuel oil mode (SFOC) [g/kWh]**

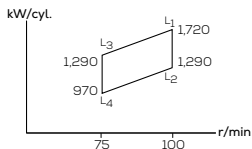
	50%	75%	100%
Tier II mode	134.0+4.0/163.5	136.1+3.0/162.5	143.5+2.5/170.0
Tier III mode	139.1+4.0/169.5	142.1+3.0/169.5	147.7+2.5/175.0

Everllence B&W S60ME-C10.5-GI-HPSCR**L₁ dual fuel mode (SGC+SPOC (1.5%))/fuel oil mode (SFOC) [g/kWh]**

	50%	75%	100%
Tier II mode	134.9+4.0/164.5	136.9+3.0/165.5	145.2+2.5/172.0
Tier III mode	135.7+4.0/165.5	139.1+3.0/166.0	145.6+2.5/172.5

Cyl.	L ₁ kW
5	8,600
6	10,320
7	12,040
8	13,760

Stroke: 2,500 mm/L₁ MEP: 21.0 bar



Everllence B&W G50ME-C10.7-GI

L₁ dual fuel mode (SGC+SPOC (1.5%))/fuel oil mode (SFOC) [g/kWh]

	50%	75%	100%
Low-load EGB	133.2+3.9/162.5	131.4+3.0/162.5	138.4+2.5/169.0

Everllence B&W G50ME-C10.7-GI-EGRBP

L₁ dual fuel mode (SGC+SPOC (1.5%))/fuel oil mode (SFOC) [g/kWh]

	50%	75%	100%
Tier II mode	135.8+3.9/165.5	136.1+3.0/166.0	142.2+2.5/173.5
Tier III mode	137.5+3.9/167.5	136.6+3.0/166.5	140.9+2.5/172.0

Everllence B&W G50ME-C10.7-GI-EcoEGR

L₁ dual fuel mode (SGC+SPOC (1.5%))/fuel oil mode (SFOC) [g/kWh]

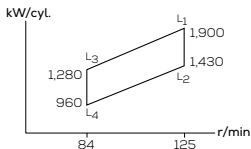
	50%	75%	100%
Tier II mode	132.4+3.9/161.5	129.7+3.0/158.5	135.8+2.5/166.0
Tier III mode	137.5+3.9/167.5	136.6+3.0/166.5	140.9+2.5/172.0

Everllence B&W G50ME-C10.7-GI-HPSCR

L₁ dual fuel mode (SGC+SPOC (1.5%))/fuel oil mode (SFOC) [g/kWh]

	50%	75%	100%
Tier II mode	133.2+3.9/162.5	131.4+3.0/162.5	138.4+2.5/169.0
Tier III mode	134.1+3.9/163.5	133.6+3.0/163.0	138.8+2.5/169.5

Cyl.	L ₁ kW
5	9,500
6	11,400
7	13,300
8	15,200
9	17,100

Stroke: 2,214 mm/L₁ MEP: 21.0 bar**Everllence B&W S50ME-C10.7-GI****L₁ dual fuel mode (SGC+SPOC (1.5%))/fuel oil mode (SFOC) [g/kWh]**

	50%	75%	100%
Low-load EGB	134.1+3.9/163.5	132.3+3.0/163.5	139.2+2.5/170.0

Everllence B&W S50ME-C10.7-GI-EcoEGR**L₁ dual fuel mode (SGC+SPOC (1.5%))/fuel oil mode (SFOC) [g/kWh]**

	50%	75%	100%
Tier II mode	133.2+3.9/162.5	130.6+3.0/159.5	136.7+2.5/167.0
Tier III mode	138.3+3.9/168.5	137.4+3.0/167.5	141.8+2.5/173.0

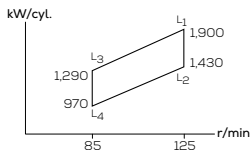
Everllence B&W S50ME-C10.7-GI-HPSCR**L₁ dual fuel mode (SGC+SPOC (1.5%))/fuel oil mode (SFOC) [g/kWh]**

	50%	75%	100%
Tier II mode	134.1+3.9/163.5	132.3+3.0/163.5	139.2+2.5/170.0
Tier III mode	134.9+3.9/164.5	134.4+3.0/164.0	139.7+2.5/170.5

Note: S50ME-C10.7-GI-EGRBP available on request

Cyl.	L ₁ kW
5	9,500
6	11,400
7	13,300
8	15,200
9	17,100

Stroke: 2,214 mm/L₁ MEP: 21.0 bar



Everlence B&W S50ME-C9.7-GI

L₁ dual fuel mode (SGC+SPOC (1.5%))/fuel oil mode (SFOC) [g/kWh]

	50%	75%	100%
Low-load EGB	135.7+4.0/165.5	136.9+3.0/165.5	145.2+2.5/172.0

Everlence B&W S50ME-C9.7-GI-EGRBP

L₁ dual fuel mode (SGC+SPOC (1.5%))/fuel oil mode (SFOC) [g/kWh]

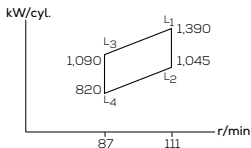
	50%	75%	100%
Tier II mode	135.7+4.0/165.5	137.4+3.0/166.0	146.5+2.5/173.5
Tier III mode	140.0+4.0/170.5	142.9+3.0/170.5	149.4+2.5/177.0

Everlence B&W S50ME-C9.7-GI-HPSCR

L₁ dual fuel mode (SGC+SPOC (1.5%))/fuel oil mode (SFOC) [g/kWh]

	50%	75%	100%
Tier II mode	135.7+4.0/165.5	136.9+3.0/165.5	145.2+2.5/172.0
Tier III mode	136.6+4.0/166.5	139.1+3.0/166.0	145.6+2.5/172.5

Cyl.	L ₁ kW
5	6,950
6	8,340
7	9,730
8	11,120

Stroke: 2,250 mm/L₁ MEP: 21.0 bar**Everllence B&W G45ME-C9.5-GI****L₁ dual fuel mode (SGC+SPOC (5.0%))/fuel oil mode (SFOC) [g/kWh]**

	50%	75%	100%
Low-load EGB	130.9+13.6/168.0	134.1+10.4/168.0	143.4+8.5/174.5

Everllence B&W G45ME-C9.5-GI-EGRBP**L₁ dual fuel mode (SGC+SPOC (5.0%))/fuel oil mode (SFOC) [g/kWh]**

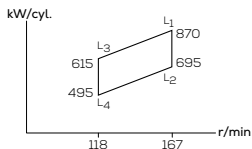
	50%	75%	100%
Tier II mode	130.9+13.6/168.0	134.5+10.4/168.5	144.7+8.5/176.0
Tier III mode	135.2+13.6/173.0	140.1+10.4/173.0	147.7+8.5/179.5

Everllence B&W G45ME-C9.5-GI-HPSCR**L₁ dual fuel mode (SGC+SPOC (5.0%))/fuel oil mode (SFOC) [g/kWh]**

	50%	75%	100%
Tier II mode	130.9+13.6/168.0	134.1+10.4/168.0	143.4+8.5/174.5
Tier III mode	131.8+13.6/169.0	136.2+10.4/168.5	143.9+8.5/175.0

Cyl.	L ₁ kW
5	4,350
6	5,220
7	6,090
8	6,960

Stroke: 1,550 mm/L₁ MEP: 21.0 bar



Everllence B&W S35ME-C9.7-GI

L₁ dual fuel mode (SGC+SPOC (5.0%))/fuel oil mode (SFOC) [g/kWh]

	50%	75%	100%
Low-load EGB	133.5+13.6/169.0	135.8+10.4/168.0	145.1+8.5/174.5

Everllence B&W S35ME-C9.7-GI-EcoEGR

L₁ dual fuel mode (SGC+SPOC (5.0%))/fuel oil mode (SFOC) [g/kWh]

	50%	75%	100%
Tier II mode	132.7+13.6/168.0	135.0+10.4/165.0	143.4+8.5/172.5
Tier III mode	137.8+13.6/174.0	140.9+10.4/172.0	147.7+8.5/177.5

Everllence B&W S35ME-C9.7-GI-HPSCR

L₁ dual fuel mode (SGC+SPOC (5.0%))/fuel oil mode (SFOC) [g/kWh]

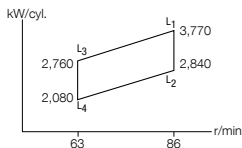
	50%	75%	100%
Tier II mode	133.5+13.6/169.0	135.8+10.4/168.0	145.1+8.5/174.5
Tier III mode	134.4+13.6/170.0	138.0+10.4/168.5	145.6+8.5/175.0

Note: All fuel consumption figures are based on engine driven HPS

Ammonia (LGIA)

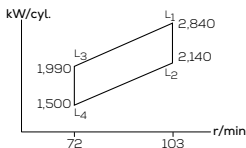
Fuel variants	Page
Fuel oil	23
Methane/LNG (GI)	35
Ammonia (LGIA)	51
Methanol (LGIM)	59
LPG (LGIP)	69
Ethane/LEG (GIE)	73
Specifications (dimensions and dry masses)	77

Cyl.	L ₁ kW
5	18,850
6	22,620

Stroke: 3,256 mm/L₁ MEP: 21.0 bar**Everlence B&W G70ME-C10.7-LGIA-HPSCR****L₁ dual fuel mode (SGC+SPOC (5.0%))/fuel oil mode (SFOC) [g/kWh]**

	50%	75%	100%
Tier II mode	345.1+13.1/161.0	349.9+10.0/162.0	364.4+8.2/168.5
Tier III mode	345.1+13.1/162.0	349.9+10.0/162.5	364.4+8.2/169.0

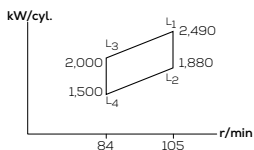
Cyl.	L ₁ kW
5	14,200
6	17,040
7	19,880
8	22,720

Stroke: 2,790 mm/L₁ MEP: 21.0 bar**Everllence B&W G60ME-C10.5-LGIA-HPSCR****L₁ dual fuel mode (SGC+SPOC (5.0%))/fuel oil mode (SFOC) [g/kWh]**

	50%	75%	100%
Tier II mode	342.9+13.0/160.0	347.7+9.9/161.0	362.3+8.2/167.5
Tier III mode	342.9+13.0/161.0	347.7+9.9/161.5	362.3+8.2/168.0

Cyl.	L ₁ kW
5	12,450
6	14,940
7	17,430
8	19,920

Stroke: 2,400 mm/L₁ MEP: 21.0 bar

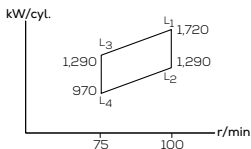


Everllence B&W S60ME-C10.5-LGIA-HPSCR

L₁ dual fuel mode (SGC+SPOC (5.0%))/fuel oil mode (SFOC) [g/kWh]

	50%	75%	100%
Tier II mode	349.3+13.3/163.0	354.2+10.1/164.0	368.8+8.4/170.5
Tier III mode	349.3+13.3/164.0	354.2+10.1/164.5	368.8+8.4/171.0

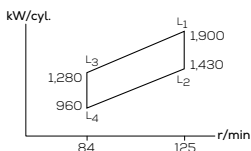
Cyl.	L ₁ kW
5	8,600
6	10,320
7	12,040
8	13,760

Stroke: 2,500 mm/L₁ MEP: 21.0 bar**Everllence B&W G50ME-C10.7-LGIA-HPSCR****L₁ dual fuel mode (SGC+SPOC (5.0%))/fuel oil mode (SFOC) [g/kWh]**

	50%	75%	100%
Tier II mode	349.5+13.2/163.0	352.0+10.1/163.0	366.6+8.3/169.5
Tier III mode	349.5+13.2/164.0	352.0+10.1/163.5	366.6+8.3/170.0

Cyl.	L ₁ kW
5	9,500
6	11,400
7	13,300
8	15,200
9	17,100

Stroke: 2,214 mm/L₁ MEP: 21.0 bar



Everllence B&W S50ME-C10.7-LGIA-HPSCR

L₁ dual fuel mode (SGC+SPOC (5.0%))/fuel oil mode (SFOC) [g/kWh]

	50%	75%	100%
Tier II mode	351.6+13.3/164.0	354.2+10.1/164.0	368.8+8.4/170.5
Tier III mode	351.6+13.3/165.0	354.2+10.1/164.5	368.8+8.4/171.0

Everllence

A new chapter

Everllence B&W ME-LGIA

Powering the future with our Everllence B&W ME-LGIA

When generated from renewable energy sources, ammonia has virtually no carbon footprint.

As newbuild or retrofit, ME-LGIA offers a prominent pathway towards maritime decarbonization. Maritime transport is about to start a new, cleaner chapter with this valuable addition to our two-stroke dual-fuel engine portfolio.



Forever forward. Forever decarbonization. Forever excellence.

We move big things to zero with future-proof retrofit solutions.

Retrofit solutions are among the most effective ways to achieve net-zero targets. Our experts convert your conventional fuel engines into dual fuel systems that can also run on green e-fuels. By upgrading existing engines and turbomachinery, we balance ecology and economy, and give your business a long, clean future.

everllence.com

Only one thing has changed.
MAN Energy Solutions is now:

Everllence

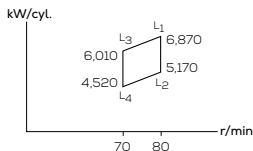


Methanol (LGIM)

Fuel variants	Page
Fuel oil	23
Methane/LNG (GI)	35
Ammonia (LGIA)	51
Methanol (LGIM)	59
LPG (LGIP)	69
Ethane/LEG (GIE)	73
Specifications (dimensions and dry masses)	77

Cyl.	L ₁ kW
6	41,220
7	48,090
8	54,960
9	61,830
10	68,700
11	75,570
12	82,440

Stroke: 3,460 mm/L₁ MEP: 21.0 bar



Everllence B&W G95ME-C10.7-LGIM

L₁ dual fuel mode (SGC+SPOC (5.0%))/fuel oil mode (SFOC) [g/kWh]

	50%	75%	100%
Low-load SEQ	298.5+12.8/154.0	307.1+9.8/158.0	327.1+8.1/164.5

Everllence B&W G95ME-C10.7-LGIM-EGRTC

L₁ dual fuel mode (SGC+SPOC (5.0%))/fuel oil mode (SFOC) [g/kWh]

	50%	75%	100%
Tier II mode	298.5+12.8/154.0	307.1+9.8/158.0	327.1+8.1/164.5
Tier III mode	311.4+12.8/160.0	323.2+9.8/162.5	337.8+8.1/169.5

Everllence B&W G95ME-C10.7-LGIM-EcoEGR

L₁ dual fuel mode (SGC+SPOC (5.0%))/fuel oil mode (SFOC) [g/kWh]

	50%	75%	100%
Tier II mode	300.7+12.8/155.0	305.0+9.8/154.0	322.8+8.1/162.5
Tier III mode	313.5+12.8/161.0	322.2+9.8/162.0	333.6+8.1/167.5

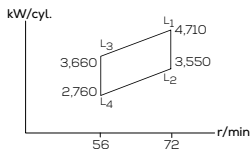
Everllence B&W G95ME-C10.7-LGIM-HPSCR

L₁ dual fuel mode (SGC+SPOC (5.0%))/fuel oil mode (SFOC) [g/kWh]

	50%	75%	100%
Tier II mode	298.5+12.8/154.0	307.1+9.8/158.0	327.1+8.1/164.5
Tier III mode	305.0+12.8/157.0	314.6+9.8/158.5	328.2+8.1/165.0

Note: LPSCR available on request

Cyl.	L ₁ kW
6*	28,260
7	32,970
8	37,680
9	42,390

Stroke: 3,720 mm/L₁ MEP: 21.0 bar**Everllence B&W G80ME-C10.7-LGIM****L₁ dual fuel mode (SGC+SPOC (5.0%))/fuel oil mode (SFOC) [g/kWh]**

	50%	75%	100%
Low-load SEQ	300.5+12.8/155.0	309.2+9.8/159.0	329.2+8.1/165.5

Everllence B&W G80ME-C10.7-LGIM-EGRTC**L₁ dual fuel mode (SGC+SPOC (5.0%))/fuel oil mode (SFOC) [g/kWh]**

	50%	75%	100%
Tier II mode	300.5+12.8/155.0	309.2+9.8/159.0	329.2+8.1/165.5
Tier III mode	313.4+12.8/161.0	325.3+9.8/163.5	339.9+8.1/170.5

Everllence B&W G80ME-C10.7-LGIM-EcoEGR**L₁ dual fuel mode (SGC+SPOC (5.0%))/fuel oil mode (SFOC) [g/kWh]**

	50%	75%	100%
Tier II mode	302.7+12.8/156.0	307.0+9.8/155.0	324.9+8.1/163.5
Tier III mode	315.5+12.8/162.0	324.2+9.8/163.0	335.6+8.1/168.5

Everllence B&W G80ME-C10.7-LGIM-HPSCR**L₁ dual fuel mode (SGC+SPOC (5.0%))/fuel oil mode (SFOC) [g/kWh]**

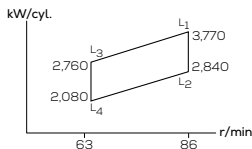
	50%	75%	100%
Tier II mode	300.5+12.8/155.0	309.2+9.8/159.0	329.2+8.1/165.5
Tier III mode	307.0+12.8/158.0	316.7+9.8/159.5	330.2+8.1/166.0

Note: LPSCR available on request

* 6-cylinder engines can be ordered with reduced or external moment compensation depending on rating and ship dynamics. Evaluation is made on request.

Cyl.	L ₁ kW
5	18,850
6	22,620

Stroke: 3,256 mm/L₁ MEP: 21.0 bar



Everlence B&W G70ME-C10.7-LGIM

L₁ dual fuel mode (SGC+SPOC (5.0%))/fuel oil mode (SFOC) [g/kWh]

	50%	75%	100%
Low-load EGB	308.9+12.9/159.0	311.2+9.9/160.0	331.2+8.2/166.5

Everlence B&W G70ME-C10.7-LGIM-EGRBP

L₁ dual fuel mode (SGC+SPOC (5.0%))/fuel oil mode (SFOC) [g/kWh]

	50%	75%	100%
Tier II mode	315.3+12.9/162.0	325.1+9.9/163.5	340.8+8.2/171.0
Tier III mode	319.6+12.9/164.0	326.2+9.9/164.0	337.6+8.2/169.5

Everlence B&W G70ME-C10.7-LGIM-EcoEGR

L₁ dual fuel mode (SGC+SPOC (5.0%))/fuel oil mode (SFOC) [g/kWh]

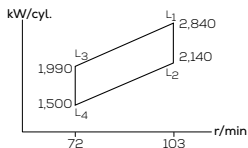
	50%	75%	100%
Tier II mode	306.7+12.9/158.0	309.0+9.9/156.0	326.9+8.2/164.5
Tier III mode	319.6+12.9/164.0	326.2+9.9/164.0	337.6+8.2/169.5

Everlence B&W G70ME-C10.7-LGIM-HPSCR

L₁ dual fuel mode (SGC+SPOC (5.0%))/fuel oil mode (SFOC) [g/kWh]

	50%	75%	100%
Tier II mode	308.9+12.9/159.0	311.2+9.9/160.0	331.2+8.2/166.5
Tier III mode	311.0+12.9/160.0	318.7+9.9/160.5	332.3+8.2/167.0

Cyl.	L ₁ kW
5	14,200
6	17,040
7	19,880
8	22,720

Stroke: 2,790 mm/L₁ MEP: 21.0 bar**Everlence B&W G60ME-C10.5-LGIM****L₁ dual fuel mode (SGC+SPOC (5.0%))/fuel oil mode (SFOC) [g/kWh]**

	50%	75%	100%
Low-load EGB	316.8+13.3/163.0	319.2+10.1/164.0	339.3+8.4/170.5

Everlence B&W G60ME-C10.5-LGIM-EcoEGR**L₁ dual fuel mode (SGC+SPOC (5.0%))/fuel oil mode (SFOC) [g/kWh]**

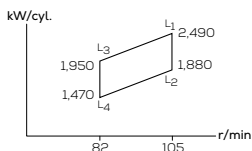
	50%	75%	100%
Tier II mode	314.6+13.3/162.0	317.1+10.1/160.0	335.1+8.4/168.5
Tier III mode	327.5+13.3/168.0	334.2+10.1/168.0	345.8+8.4/173.5

Everlence B&W G60ME-C10.5-LGIM-HPSCR**L₁ dual fuel mode (SGC+SPOC (5.0%))/fuel oil mode (SFOC) [g/kWh]**

	50%	75%	100%
Tier II mode	316.8+13.3/163.0	319.2+10.1/164.0	339.3+8.4/170.5
Tier III mode	318.9+13.3/164.0	326.7+10.1/164.5	340.4+8.4/171.0

Cyl.	L ₁ kW
5	12,450
6	14,940
7	17,430
8	19,920

Stroke: 2,400 mm/L₁ MEP: 21.0 bar



Everlence B&W S60ME-C10.7-LGIM

	L ₁ dual fuel mode (SGC+SPOC (5.0%))/fuel oil mode (SFOC) [g/kWh]		
	50%	75%	100%
Low-load EGB	310.9+13.0/160.0	313.2+9.9/161.0	333.2+8.2/167.5

Everlence B&W S60ME-C10.7-LGIM-EGRBP

	L ₁ dual fuel mode (SGC+SPOC (5.0%))/fuel oil mode (SFOC) [g/kWh]		
	50%	75%	100%
Tier II mode	317.3+13.0/163.0	327.1+9.9/164.5	342.9+8.2/172.0
Tier III mode	321.6+13.0/165.0	328.2+9.9/165.0	339.7+8.2/170.5

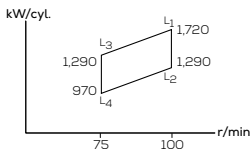
Everlence B&W S60ME-C10.7-LGIM-EcoEGR

	L ₁ dual fuel mode (SGC+SPOC (5.0%))/fuel oil mode (SFOC) [g/kWh]		
	50%	75%	100%
Tier II mode	308.7+13.0/159.0	311.0+9.9/157.0	328.9+8.2/165.5
Tier III mode	321.6+13.0/165.0	328.2+9.9/165.0	339.7+8.2/170.5

Everlence B&W S60ME-C10.7-LGIM-HPSCR

	L ₁ dual fuel mode (SGC+SPOC (5.0%))/fuel oil mode (SFOC) [g/kWh]		
	50%	75%	100%
Tier II mode	310.9+13.0/160.0	313.2+9.9/161.0	333.2+8.2/167.5
Tier III mode	313.0+13.0/161.0	320.7+9.9/161.5	334.3+8.2/168.0

Cyl.	L ₁ kW
5	8,600
6	10,320
7	12,040
8	13,760

Stroke: 2,500 mm/L₁ MEP: 21.0 bar**Everllence B&W G50ME-C10.7-LGIM****L₁ dual fuel mode (SGC+SPOC (5.0%))/fuel oil mode (SFOC) [g/kWh]**

	50%	75%	100%
Low-load EGB	313.0+13.0/161.0	313.2+9.9/161.0	333.2+8.2/167.5

Everllence B&W G50ME-C10.7-LGIM-EGRBP**L₁ dual fuel mode (SGC+SPOC (5.0%))/fuel oil mode (SFOC) [g/kWh]**

	50%	75%	100%
Tier II mode	319.5+13.0/164.0	327.1+9.9/164.5	342.9+8.2/172.0
Tier III mode	323.7+13.0/166.0	328.2+9.9/165.0	339.7+8.2/170.5

Everllence B&W G50ME-C10.7-LGIM-EcoEGR**L₁ dual fuel mode (SGC+SPOC (5.0%))/fuel oil mode (SFOC) [g/kWh]**

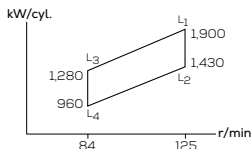
	50%	75%	100%
Tier II mode	310.9+13.0/160.0	311.0+9.9/157.0	328.9+8.2/165.5
Tier III mode	323.7+13.0/166.0	328.2+9.9/165.0	339.7+8.2/170.5

Everllence B&W G50ME-C10.7-LGIM-HPSCR**L₁ dual fuel mode (SGC+SPOC (5.0%))/fuel oil mode (SFOC) [g/kWh]**

	50%	75%	100%
Tier II mode	313.0+13.0/161.0	313.2+9.9/161.0	333.2+8.2/167.5
Tier III mode	315.2+13.0/162.0	320.7+9.9/161.5	334.3+8.2/168.0

Cyl.	L ₁ kW
5	9,500
6	11,400
7	13,300
8	15,200
9	17,100

Stroke: 2,214 mm/L₁ MEP: 21.0 bar



Everllence B&W S50ME-C10.7-LGIM

L₁ dual fuel mode (SGC+SPOC (5.0%))/fuel oil mode (SFOC) [g/kWh]

	50%	75%	100%
Low-load EGB	315.0+13.1/162.0	315.2+10.0/162.0	335.3+8.3/168.5

Everllence B&W S50ME-C10.7-LGIM-EcoEGR

L₁ dual fuel mode (SGC+SPOC (5.0%))/fuel oil mode (SFOC) [g/kWh]

	50%	75%	100%
Tier II mode	312.9+13.1/161.0	313.1+10.0/158.0	331.0+8.3/166.5
Tier III mode	325.7+13.1/167.0	330.2+10.0/166.0	341.7+8.3/171.5

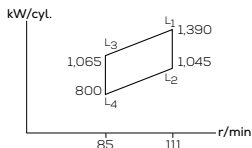
Everllence B&W S50ME-C10.7-LGIM-HPSCR

L₁ dual fuel mode (SGC+SPOC (5.0%))/fuel oil mode (SFOC) [g/kWh]

	50%	75%	100%
Tier II mode	315.0+13.1/162.0	315.2+10.0/162.0	335.3+8.3/168.5
Tier III mode	317.2+13.1/163.0	322.7+10.0/162.5	336.3+8.3/169.0

Note: S50ME-C10.7-LGIM-EGRBP available on request

Cyl.	L ₁ kW
5	6,950
6	8,340
7	9,730
8	11,120

Stroke: 2,250 mm/L₁ MEP: 21.0 bar**Everllence B&W G45ME-C9.7-LGIM****L₁ dual fuel mode (SGC+SPOC (5.0%))/fuel oil mode (SFOC) [g/kWh]**

	50%	75%	100%
Low-load EGB	326.9+13.6/168.0	327.3+10.4/168.0	347.5+8.5/174.5

Everllence B&W G45ME-C9.7-LGIM-EGRBP**L₁ dual fuel mode (SGC+SPOC (5.0%))/fuel oil mode (SFOC) [g/kWh]**

	50%	75%	100%
Tier II mode	326.9+13.6/168.0	328.4+10.4/168.5	350.7+8.5/176.0
Tier III mode	337.6+13.6/173.0	344.5+10.4/173.0	358.2+8.5/179.5

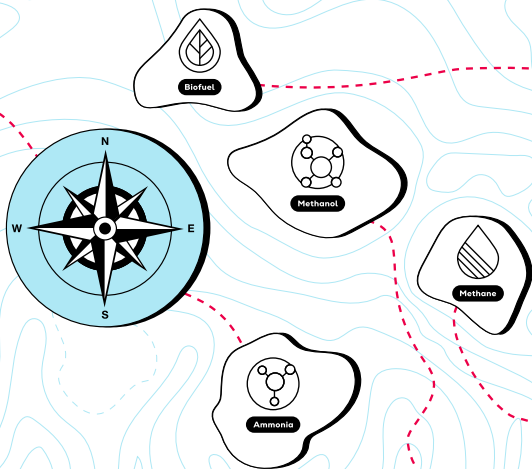
Everllence B&W G45ME-C9.7-LGIM-EcoEGR**L₁ dual fuel mode (SGC+SPOC (5.0%))/fuel oil mode (SFOC) [g/kWh]**

	50%	75%	100%
Tier II mode	324.7+13.6/167.0	325.1+10.4/164.0	343.2+8.5/172.5
Tier III mode	337.6+13.6/173.0	342.3+10.4/172.0	353.9+8.5/177.5

Everllence B&W G45ME-C9.7-LGIM-HPSCR**L₁ dual fuel mode (SGC+SPOC (5.0%))/fuel oil mode (SFOC) [g/kWh]**

	50%	75%	100%
Tier II mode	326.9+13.6/168.0	327.3+10.4/168.0	347.5+8.5/174.5
Tier III mode	329.0+13.6/169.0	334.8+10.4/168.5	348.6+8.5/175.0

Everllence



Navigate the future of shipping

Leading the way in sustainable two-stroke propulsion

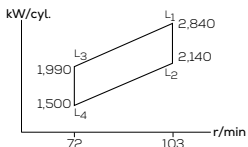
The unrivaled flexibility of Everllence B&W two-stroke engines is the key to future-proof propulsion. Our proven dual-fuel engines operate on a broad variety of alternative fuels including methanol, methane, LPG, ethane and soon ammonia. Our retrofit capabilities let you adapt your current assets and give you even more flexibility. Future-proof your fleet with Everllence B&W newbuilds and retrofits.

LPG (LGIP)

Fuel variants	Page
Fuel oil	23
Methane/LNG (GI)	35
Ammonia (LGIA)	51
Methanol (LGIM)	59
LPG (LGIP)	69
Ethane/LEG (GIE)	73
Specifications (dimensions and dry masses)	77

Cyl.	L ₁ kW
5	14,200
6	17,040
7	19,880
8	22,720

Stroke: 2,790 mm/L₁ MEP: 21.0 bar



Everllence B&W G60ME-C10.5-LGIP

L₁ dual fuel mode (SGC+SPOC (5.0%))/fuel oil mode (SFOC) [g/kWh]

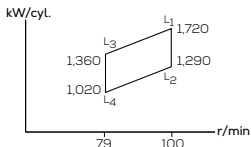
	50%	75%	100%
Low-load EGB	139.1+13.0/160.0	142.4+9.9/161.0	149.7+8.2/167.5

Everllence B&W G60ME-C10.5-LGIP-HPSCR

L₁ dual fuel mode (SGC+SPOC (5.0%))/fuel oil mode (SFOC) [g/kWh]

	50%	75%	100%
Tier II mode	139.1+13.0/160.0	142.4+9.9/161.0	149.7+8.2/167.5
Tier III mode	140.1+13.0/161.0	142.9+9.9/161.5	150.2+8.2/168.0

Cyl.	L ₁ kW
5	8,600
6	10,320
7	12,040
8	13,760
9	15,480

Stroke: 2,500 mm/L₁ MEP: 21.0 bar

Everlence B&W G50ME-C9.6-LGIP

L₁ dual fuel mode (SGC+SPOC (5.0%))/fuel oil mode (SFOC) [g/kWh]

	50%	75%	100%
Low-load EGB	143.5+13.3/165.0	145.9+10.2/165.0	153.3+8.4/171.5

Everlence B&W G50ME-C9.6-LGIP-HPSCR

L₁ dual fuel mode (SGC+SPOC (5.0%))/fuel oil mode (SFOC) [g/kWh]

	50%	75%	100%
Tier II mode	143.5+13.3/165.0	145.9+10.2/165.0	153.3+8.4/171.5
Tier III mode	144.4+13.3/166.0	146.4+10.2/165.5	153.7+8.4/172.0

Forever power. Forever decarbonization. Forever excellence.

We move big things to zero with future-fuel engines.

Global shipping is advancing towards sustainability, and we're developing engines powered by climate-neutral fuels such as green methanol, hydrogen, and synthetic natural gas (SNG). Following our world-first methanol dual fuel engine, we introduced the first ammonia engine in our portfolio. Working with the marine industry, we can move ships with zero emissions.

[everllence.com](https://www.everllence.com)

Only one thing has changed.
MAN Energy Solutions is now:

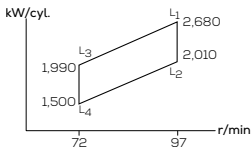
Everllence



Ethane/LEG (GIE)

Fuel variants	Page
Fuel oil	23
Methane/LNG (GI)	35
Ammonia (LGIA)	51
Methanol (LGIM)	59
LPG (LGIP)	69
Ethane/LEG (GIE)	73
Specifications (dimensions and dry masses)	77

Cyl.	L ₁ kW
5	13,400
6	16,080
7	18,760
8	21,440

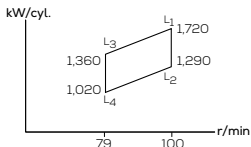
Stroke: 2,790 mm/L₁ MEP: 21.0 bar

Everllence B&W G60ME-C9.5-GIE
L₁ dual fuel mode (SGC+SPOC (5.0%))/fuel oil mode (SFOC) [g/kWh]

	50%	75%	100%
Low-load EGB	137.2+13.3/166.0	140.9+10.1/167.0	148.5+8.4/173.5

Everllence B&W G60ME-C9.5-GIE-HPSCR
L₁ dual fuel mode (SGC+SPOC (5.0%))/fuel oil mode (SFOC) [g/kWh]

	50%	75%	100%
Tier II mode	137.2+13.3/166.0	140.9+10.1/167.0	148.5+8.4/173.5
Tier III mode	138.1+13.3/167.0	141.4+10.1/167.5	148.9+8.4/174.0

Cyl.	L ₁ kW
5	8,600
6	10,320
7	12,040
8	13,760
9	15,480

Stroke: 2,500 mm/L₁ MEP: 21.0 bar**Everlence B&W G50ME-C9.5-GIE****L₁ dual fuel mode (SGC+SPOC (5.0%))/fuel oil mode (SFOC) [g/kWh]**

	50%	75%	100%
Low-load EGB	138.9+13.3/168.0	141.8+10.2/168.0	149.3+8.4/174.5

Everlence B&W G50ME-C9.5-GIE-HPSCR**L₁ dual fuel mode (SGC+SPOC (5.0%))/fuel oil mode (SFOC) [g/kWh]**

	50%	75%	100%
Tier II mode	138.9+13.3/168.0	141.8+10.2/168.0	149.3+8.4/174.5
Tier III mode	139.8+13.3/169.0	142.2+10.2/168.5	149.8+8.4/175.0

PrimeServ Omnicare

Everllence Moving big things to zero

**Your one-stop
service solution**

Welcome to PrimeServ Omnicare – a one-stop service solution that provides complete support for all your equipment, regardless of the manufacturer.

This means global and local expertise from the industry's most trusted specialist, whenever and wherever you need it.

PrimeServ Omnicare brings simplicity and cost-efficiency to your fleet, minimizing unplanned downtime, reducing costs, and extending the lifetime of your assets.

Visit our website for more insights:
www.everllence.com/services



Everllence

PrimeServ

Specifications

(dimensions and dry masses)

Fuel variants	Page
Fuel oil	23
Methane/LNG (GI)	35
Ammonia (LGIA)	51
Methanol (LGIM)	59
LPG (LGIP)	69
Ethane/LEG (GIE)	73
Specifications (dimensions and dry masses)	77

Specifications

Dimensions:		A	B	C	H1
Fuel oil	mm	1,574	5,380	2,060	16,100
GI	mm	1,574	5,380	2,060	-
LGIM	mm	1,574	5,380	2,060	-

Cyl. distance	6-9 cyl.	10 cyl.	11 cyl.	12 cyl.
mm	1,574	1-6: 1,574	1-6: 1,574	1-6: 1,574
mm	-	7-10: 1,670	7-11: 1,670	7-12: 1,670

Cylinders:		6	7	8	9	10	11	12
L _{min}	mm	13,042	14,616	16,190	17,804	19,779	21,489	23,159

Dry mass

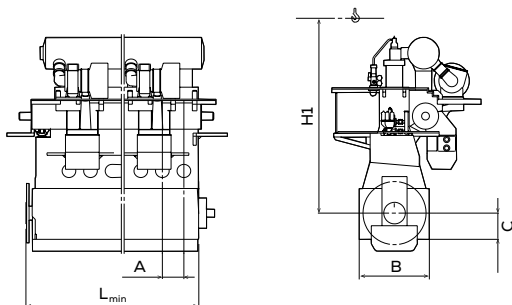
Tier II	t	1,220	1,360	1,615	1,780	1,950	2,130	2,320
---------	---	-------	-------	-------	-------	-------	-------	-------

Tier III (added)

EGRTC	t	16	17	18	19	20	21	31
HPSCR	t	-	-	-	-	-	-	-
LPSCR	t	0	0	0	0	0	0	0

Dual fuel (added)

GI	t	8	9	10	11	12	13	14
LGIM	t	9	10	11	12	13	14	15



Specifications

Dimensions:		A	B	C	H1
GI	mm	1,574	5,380	2,060	16,100

Cyl. distance		6-9 cyl.	10 cyl.	11 cyl.	12 cyl.
mm		1,574	1-6: 1,574	1-6: 1,574	1-6: 1,574
mm			7-10: 1,670	7-11: 1,670	7-12: 1,670

Cylinders:		6	7	8	9	10	11	12
L_{min}	mm	13,042	14,616	16,190	17,804	19,779	21,489	23,159

Dry mass

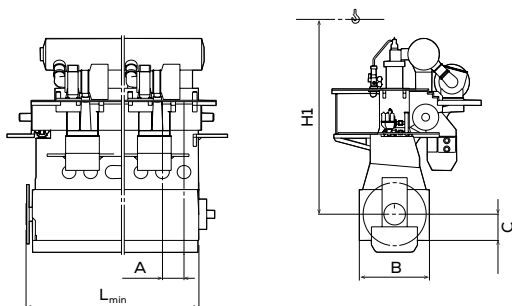
Tier II	t	1,220	1,360	1,615	1,780	1,950	2,130	2,320
---------	---	-------	-------	-------	-------	-------	-------	-------

Tier III (added)

EGRTC	t	16	17	18	19	20	21	31
HPSCR	t	-	-	-	-	-	-	-
LPSCR	t	0	0	0	0	0	0	0

Dual fuel (added)

GI	t	8	9	10	11	12	13	14
----	---	---	---	----	----	----	----	----



Specifications

Dimensions:		A	B1	B2	C	H1
Fuel oil	mm	1,400	5,018	5,254	1,960	15,750
GI	mm	1,400	5,018	5,254	-	-
LGIM	mm	1,400	5,018	5,254	-	-

Cylinders:		6	7	8	9
L _{min}	mm	11,509	12,135	13,535	14,935

Dry mass

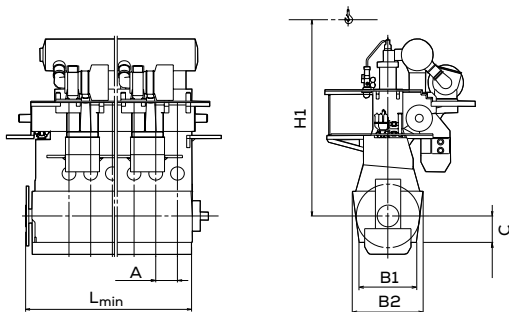
Tier II	t	900	1,000	1,110	1,240
---------	---	-----	-------	-------	-------

Tier III (added)

EGRTC	t	14	14	14	15
HPSCR	t	4	5	5	-
LPSCR	t	0	0	0	0

Dual fuel (added)

GI	t	6	7	8	9
LGIM	t	7	8	9	10



Specifications

Dimensions:		A	B1	B2	C	H1
Fuel oil	mm	1,400	5,018	5,254	1,960	15,750
GI	mm	1,400	5,018	5,254	1,960	15,750
LGIM	mm	1,400	5,018	5,254	1,960	15,750

Cylinders:		6	7	8	9
L_{min}	mm	11,509	12,135	13,535	14,935

Dry mass

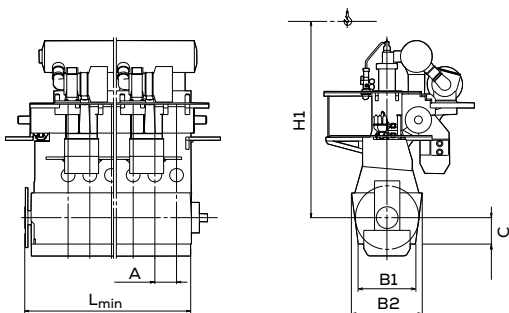
Tier II	t	900	1,000	1,110	1,240
---------	---	-----	-------	-------	-------

Tier III (added)

EGRTC	t	14	14	14	15
HPSCR	t	4	5	5	-
LPSCR	t	0	0	0	0

Dual fuel (added)

GI	t	6	7	8	9
LGIM	t	7	8	9	10



Specifications

Dimensions:		A	B1	B2	C	H1
Fuel oil	mm	1,166	4,470	4,754	1,750	13,725
GI	mm	1,166	4,470	4,754	1,750	13,725
LGIA	mm	1,166	4,470	4,754	1,750	-
LGIM	mm	1,166	4,470	4,754	1,750	-

Cylinders:		5	6
L_{min}	mm	8,645	9,811

Dry mass

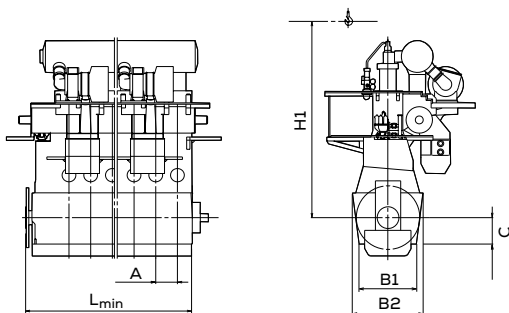
Tier II	t	593	672
---------	---	-----	-----

Tier III (added)

EGRBP	t	13	13
HPSCR	t	-	-

Dual fuel (added)

GI	t	5	6
LGIM	t	6	7



Specifications

Dimensions:		A	B1	B2	C	H1
Fuel oil	mm	1,044	4,470	4,628	1,750	13,625
GI	mm	1,044	4,470	4,628	1,750	13,625

Cylinders:		5	6
L_{min}	mm	7,399	8,443

Dry mass

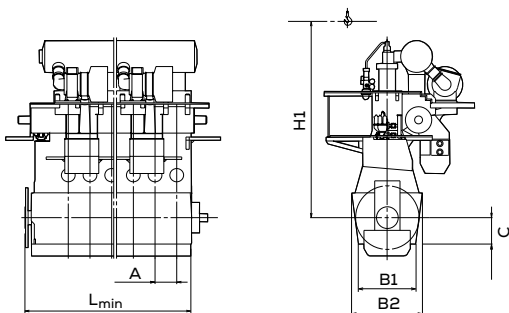
Tier II	t	528	593
---------	---	-----	-----

Tier III (added)

EGRBP	t	11	11
HPSCR	t	3	3

Dual fuel (added)

GI	t	5	6
----	---	---	---



Specifications

Dimensions:		A	B1	B2	C	H1
GI	mm	1,044	4,470	4,628	1,750	13,625

Cylinders:		5				6
L_{min}	mm	7,399				8,443

Dry mass

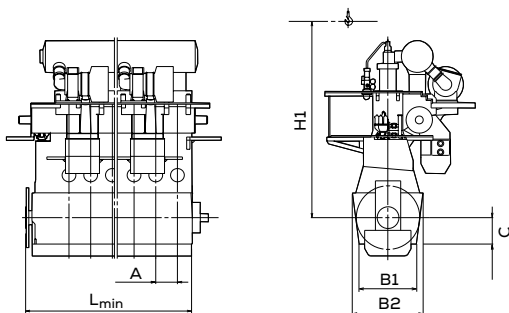
Tier II	t	525				590
---------	---	-----	--	--	--	-----

Tier III (added)

EGRBP	t	11				11
HPSCR	t	3				3
LPSCR	t	0				0

Dual fuel (added)

GI	t	5				6
----	---	---	--	--	--	---



Specifications

Dimensions:		A	B1	B2	C	H1	H4
Fuel oil	mm	1,080	4,090	4,220	1,500	12,175	11,975
GI	mm	1,080	4,090	4,220	1,500	12,175	11,975
LGIA	mm	1,080	4,090	4,220	1,500	12,175	12,000
LGIM	mm	1,080	4,090	4,220	1,500	-	-
LGIP	mm	1,080	4,090	4,220	1,500	12,175	11,975

Cylinders:		5	6	7	8
L_{min}	mm	7,390	8,470	9,550	10,630

Dry mass

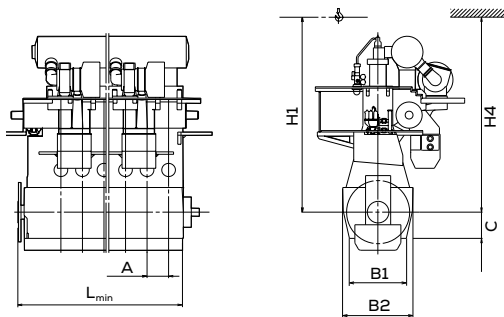
Tier II	t	395	440	490	555
---------	---	-----	-----	-----	-----

Tier III (added)

HPSCR	t	3	4	5	5
-------	---	---	---	---	---

Dual fuel (added)

GI	t	5	5	6	7
LGIM	t	5	5	6	7
LGIP	t	5	5	6	7



Specifications

Dimensions:		A	B1	B2	C	H1	H2	H3
GIE	mm	1,080	4,090	4,220	1,500	12,175	11,700	11,550

Cylinders:		5	6	7	8
L_{min}	mm	7,390	8,470	9,550	10,630

Dry mass

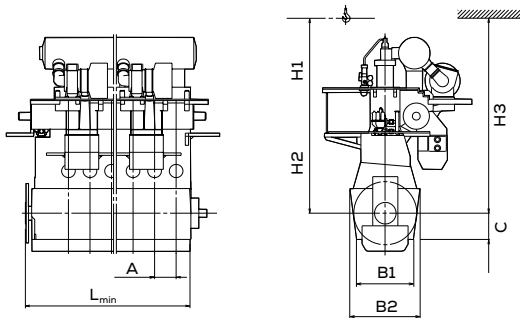
Tier II	t	395	440	490	555
---------	---	-----	-----	-----	-----

Tier III (added)

HPSCR	t	3	4	5	5
-------	---	---	---	---	---

Dual fuel (added)

GIE	t	5	6	7	7
-----	---	---	---	---	---



Specifications

Dimensions:		A	B1	B2	C	H1	H2	H3
Fuel oil	mm	940	3,420	3,550	1,300	-	-	-
GI	mm	940	3,420	3,550	1,300	-	-	-
LGIM	mm	940	3,420	3,550	1,300	-	-	-

Cylinders:		5	6	7	8
L _{min}	mm	6,502	7,442	8,382	9,322

Dry mass

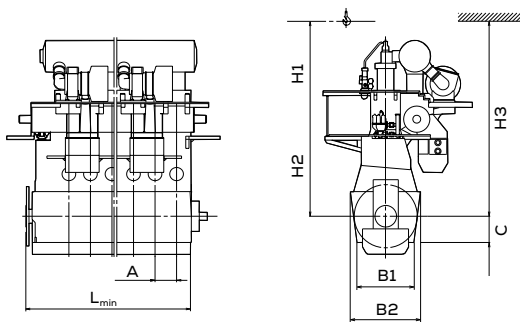
Tier II	t	320	345	370	410
---------	---	-----	-----	-----	-----

Tier III (added)

EGRBP	t	10	10	11	11
HPSCR	t	6	6	6	6

Dual fuel (added)

GI	t	5	5	6	7
LGIM	t	5	5	6	7



Specifications

Dimensions:		A	B1	B2	C	H1	H2	H3
GI	mm	940	3,420	3,550	1,300	10,500	10,175	10,025
LGIA	mm	940	3,420	3,550	1,300	-	-	-

Cylinders:		5	6	7	8
L_{min}	mm	6,502	7,442	8,382	9,322

Dry mass

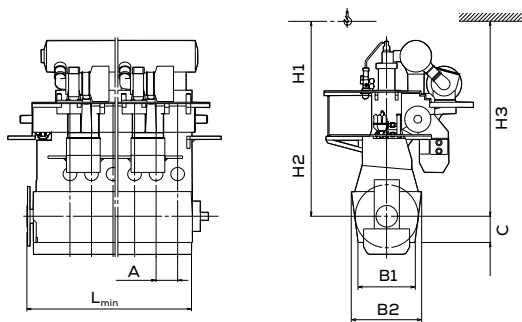
Tier II	t	305	330	355	395
---------	---	-----	-----	-----	-----

Tier III (added)

EGRBP	t	10	10	11	11
HPSCR	t	6	6	6	6

Dual fuel (added)

GI	t	5	5	6	7
----	---	---	---	---	---



Specifications

Dimensions:		A	B1	B2	C	H1	H2	H3
Fuel oil	mm	872	3,488	3,652	1,205	10,750	9,825	9,500
GI	mm	872	3,488	3,652	1,205	-	-	-
LGIA	mm	872	3,488	3,652	1,205	-	-	-
LGIM	mm	872	3,488	3,652	1,205	-	-	-

Cylinders:		5	6	7	8
L _{min}	mm	5,748	6,620	7,492	8,364

Dry mass

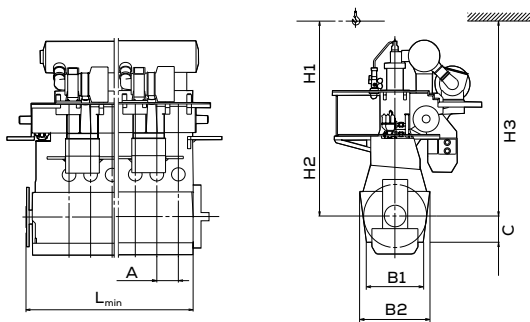
Tier II	t	214	249	280	315
---------	---	-----	-----	-----	-----

Tier III (added)

EGRBP	t	12	12	13	13
HPSCR	t	6	6	7	7

Dual fuel (added)

GI	t	4	4	5	5
LGIM	t	7	7	8	9



Specifications

Dimensions:		A	B1	B2	C	H1	H2	H3
LGIP	mm	872	3,776	3,652	1,205	10,775	10,075	9,825

Cylinders:		5	6	7	8	9
L _{min}	mm	5,748	6,620	7,492	8,364	9,236

Dry mass

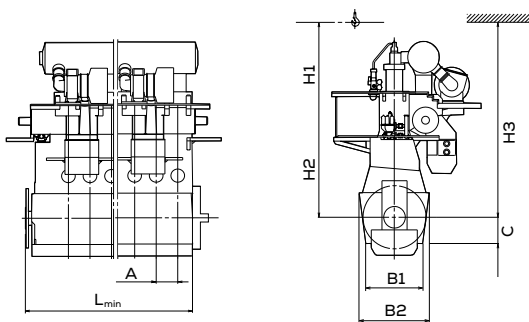
Tier II	t	211	246	276	311	346
---------	---	-----	-----	-----	-----	-----

Tier III (added)

HPSCR	t	6	6	7	7	7
-------	---	---	---	---	---	---

Dual fuel (added)

LGIP	t	6	6	7	8	9
------	---	---	---	---	---	---



Specifications

Dimensions:		A	B1	B2	C	H1	H2	H3
GIE	mm	872	3,776	3,652	1,205	10,775	10,075	9,825

Cylinders:		5	6	7	8	9
L_{min}	mm	5,748	6,620	7,492	8,364	9,236

Dry mass

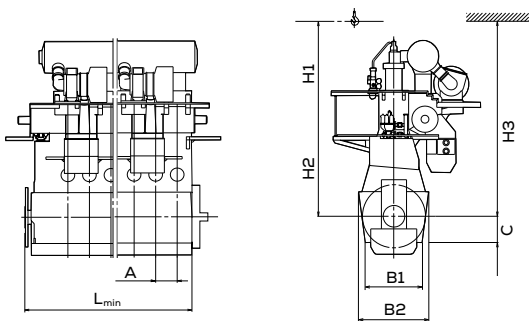
Tier II	t	211	246	276	311	346
---------	---	-----	-----	-----	-----	-----

Tier III (added)

HPSCR	t	6	6	7	7	7
-------	---	---	---	---	---	---

Dual fuel (added)

GIE	t	4	4	5	5	6
-----	---	---	---	---	---	---



Specifications

Dimensions:		A	B1	B2	C	H1	H2	H3
Fuel oil	mm	875	3,350	3,290	1,190	9,800	9,200	9,100
GI	mm	875	3,350	3,290	1,190	-	-	-
LGIA	mm	875	3,350	3,290	1,190	-	-	-
LGIM	mm	875	3,350	3,290	1,190	9,800	9,200	9,100

Cylinders:		5	6	7	8	9
L_{min}	mm	5,747	6,622	7,497	8,372	9,247

Dry mass

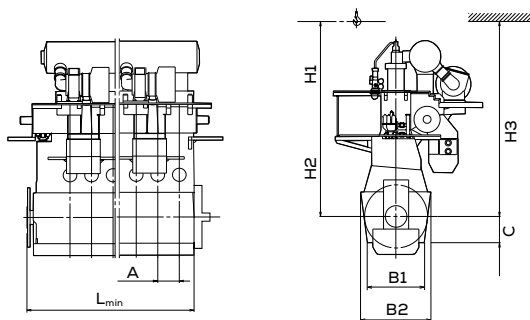
Tier II	t	195	226	262	293	324
---------	---	-----	-----	-----	-----	-----

Tier III (added)

HPSCR	t	6	6	6	6	6
-------	---	---	---	---	---	---

Dual fuel (added)

GI	t	4	4	5	5	6
LGIM	t	7	7	8	9	10



Specifications

Dimensions:		A	B1	B2	C	H1	H2	H3
GI	mm	875	3,350	3,290	1,190	9,800	9,400	8,850

Cylinders:		5	6	7	8	9
L_{min}	mm	5,747	6,622	7,497	8,372	9,247

Dry mass

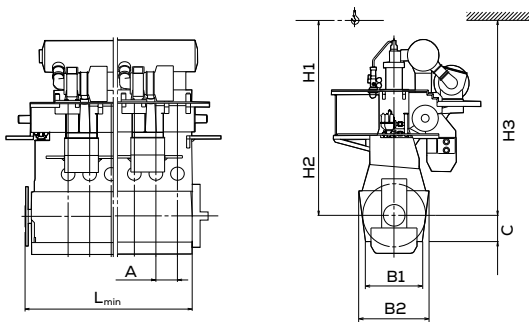
Tier II	t	193	223	259	289	320
---------	---	-----	-----	-----	-----	-----

Tier III (added)

EGRBP	t	12	12	13	13	13
HPSCR	t	4	4	5	6	7

Dual fuel (added)

GI	t	4	4	5	5	6
----	---	---	---	---	---	---



Specifications

Dimensions:	A	B1	B2	C	H1	H2	H3
Fuel oil mm	784	3,350	3,260	1,169	9,750	8,900	8,650
LGIM mm	784	3,350	3,260	1,169	9,750	8,900	8,650

Cylinders:	5	6	7	8
L_{min} mm	5,200	5,984	6,768	7,552

Dry mass

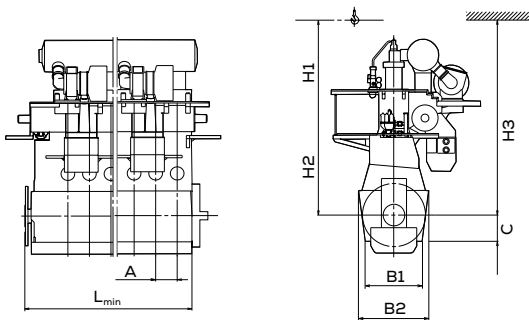
Tier II	t	165	186	209	238
---------	---	-----	-----	-----	-----

Tier III (added)

EGRBP	t	12	12	12	12
HPSCR	t	3	3	4	4

Dual fuel (added)

LGIM	t	7	7	8	9
------	---	---	---	---	---



Specifications

Dimensions:		A	B1	B2	C	H1	H2	H3
GI	mm	784	3,350	3,260	1,169	9,775	9,575	9,275

Cylinders:		5	6	7	8
L_{min}	mm	5,200	5,984	6,768	7,552

Dry mass

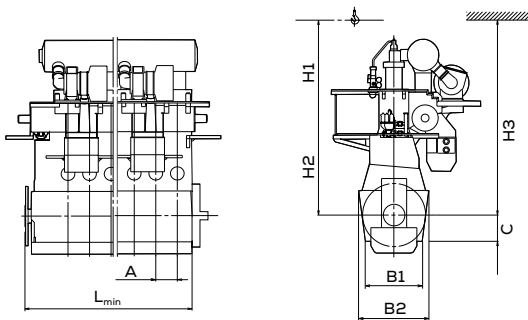
Tier II	t	163	183	206	234
---------	---	-----	-----	-----	-----

Tier III (added)

EGRBP	t	12	12	12	12
HPSCR	t	3	3	4	4

Dual fuel (added)

GI	t	4	4	5	5
----	---	---	---	---	---



Specifications

Dimensions:		A	B1	B2	C	H1	H2	H3
Fuel oil	mm	700	2,650	2,610	950	7,975	7,475	7,200

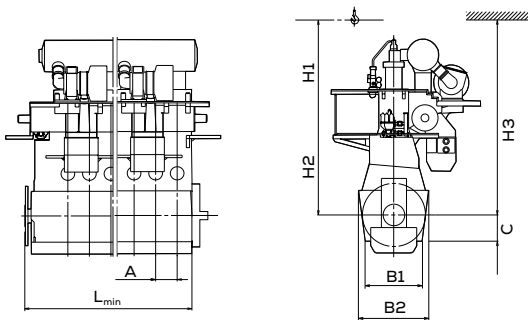
Cylinders:		5	6	7	8	9
L_{min}	mm	4,642	5,342	6,042	6,742	7,442

Dry mass

Tier II	t	107	126	142	157	189
---------	---	-----	-----	-----	-----	-----

Tier III (added)

EGRBP	t	10	10	10	10	10
HPSCR	t	3	3	4	4	-



Specifications

Dimensions:		A	B1	B2	C	H1	H2	H3
Fuel oil	mm	612	2,300	2,288	830	7,025	6,675	6,275
GI	mm	612	2,300	2,288	830	7,025	6,675	6,275

Cylinders:		5	6	7	8
L_{min}	mm	4,080	4,692	5,304	5,916

Dry mass

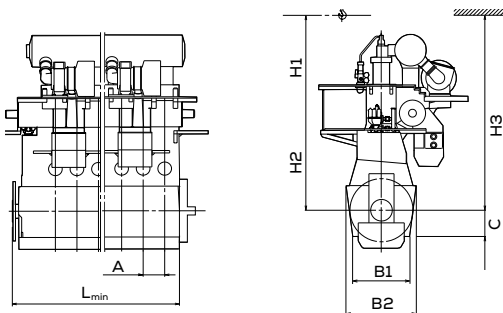
Tier II	t	77	87	98	108
---------	---	----	----	----	-----

Tier III (added)

EGRBP	t	8	8	8	8
HPSCR	t	3	3	4	4
LPSCR	t	0	0	0	0

Dual fuel (added)

GI	t	3	3	4	4
----	---	---	---	---	---





Everllence
two-stroke
propulsion
systems



Alpha propeller and aft ship solutions

Propeller Programme – CPP and FPP

Alpha CPP (controllable pitch propeller):

- As standard Mk 5 propeller versions are 4-bladed
 - optional 3- and 5-bladed propellers are available on request
 - optional full-feathering capability for all hub sizes and blade numbers
- Standard power range is up to 40 MW per shaft
- The figures stated after VBS (in the following tables) indicate the propeller hub diameter
- Standard blade/hub materials are Ni-Al-bronze, stainless steel is optional
- The propellers are available up to the highest ice classes, however, the standard programme is based on 'no ice'

The Alpha FPP (fixed pitch propeller) portfolio includes:

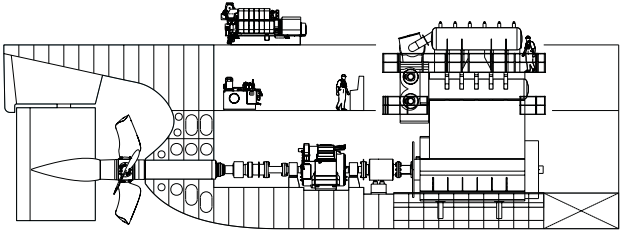
- Power range of 4-50 MW per shaft
- Blade configurations for 3-, 4-, 5-, and 6-bladed propellers
- Monoblock propellers or as built-up for special applications
- Propellers with integrated shaftline and stern tube solutions

The following benefits characterise our propeller solutions:

- High-efficient, hydrodynamically optimised blade profiles – Kappel designs available
- High reliability – robust approach with ample mechanical design margins
- High-efficient aft ship integration with rudder, rudder bulb, ducts and other efficiency devices.
- Layouts for complete propulsion and propeller shaft systems
- A wide range of stern tube lube and sealing systems are offered for oil, water and biodegradable oils.
- Plant calculations with upfront consideration of torsional vibrations (TVC), ice impact simulations, whirling, etc.
- Our Alphasonic 3000 Propulsion Control System ensures optimised and safe operation

Alpha propeller and aft ship solutions

Two-stroke propulsion system installation



Complete powertrain with propeller and aft ship equipment.

The hydrodynamic edge

In the complex hydrodynamic entity embracing hull, propeller, and rudder - our CFD-based software masters the holistic approach of customised blade and rudder bulb designs.

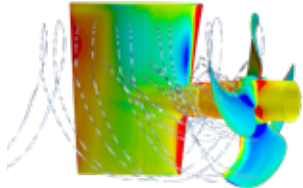
We perform 'Resistance calculations' and 'Calculations of wake field', which form the basis for the following:

- Final propeller design
- Self-propulsion calculations
- Cavitation extent calculations
- Propeller-induced pressure impulses and CIS (cavitation inception speed)

Save the 'stock propeller test'; save time and save money.

With EcoBulb rudder bulb and propeller hub fairing cone installed, uniform flow without separation creates improved thrust ahead, and less power is required.

CFD model with streamlines and surface pressure distribution.



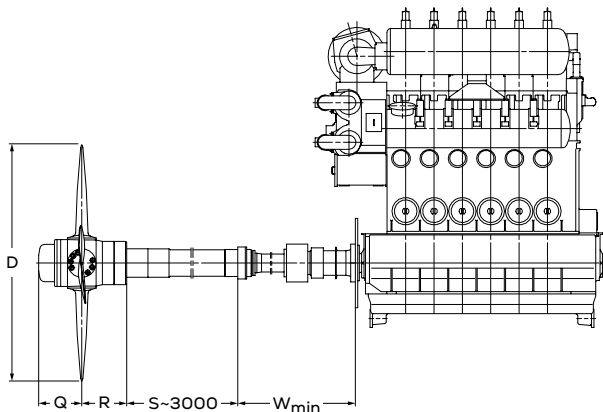
Everlence B&W standard package examples

Cyl.	kW	Prop. speed r/min	D ¹⁾ mm	Hub VBS mm	Q mm	R mm	W _{min} mm	Prop. mass t ²⁾
G70ME-C10.5-GI								
5	15,850	80	8,100	1,890	1,622	1,441	4,300	84.1
6	19,020	80	8,450	1,970	1,690	1,504	4,300	92.5

G50ME-C10.7-GI/-LGIM/-LGIP								
5	8,600	100	6,150	1,450	1,102	1,174	3,100	42.7
6	10,320	100	6,450	1,550	1,178	1,231	3,100	45.1
7	12,040	100	6,650	1,550	1,178	1,231	3,100	48.1
8	13,760	100	6,850	1,640	1,246	1,287	2,900	50.9
9	15,480	100	7,050	1,730	1,315	1,339	3,100	58.1

1) For optimal Kappel blades, the propeller diameter is reduced by an average of 3-10% compared to the listed standard diameters

2) The masses are stated for 4,000 mm stern tube and 8,000 mm propeller shaft



Everllence B&W standard package examples

Cyl.	kW	Prop. speed r/min	D ¹⁾ mm	Hub VBS mm	Q mm	R mm	Wmin mm	Prop. mass t ²⁾
S50ME-C9.7-GI								
5	9,500	125	5,650	1,450	1,114	1,163	2,700	35.3
6	11,400	125	5,850	1,550	1,187	1,163	2,700	39.6
7	13,300	125	6,050	1,640	1,295	1,281	2,700	43.8
8	15,200	125	6,200	1,730	1,424	1,327	2,700	48.7
9	17,100	125	6,350	1,810	1,553	1,377	2,950	56.3

G45ME-C9.7/-LGIM

5	6,950	111	5,650	1,350	1,026	1,109	2,700	28.8
6	8,340	111	5,900	1,350	1,026	1,109	2,700	30.6
7	9,730	111	6,100	1,450	1,102	1,197	2,700	35.1
8	11,120	111	6,250	1,550	1,178	1,236	2,700	37.6

S40ME-C9.5

5	5,675	146	4,650	1,100	885	972	2,500	22.1
6	6,810	146	4,800	1,180	957	1,025	2,500	24.6
7	7,945	146	4,950	1,180	957	1,025	2,500	26.0
8	9,080	146	5,050	1,260	975	1,081	2,500	29.8
9	10,215	146	5,550	1,350	1,026	1,140	2,700	34.4

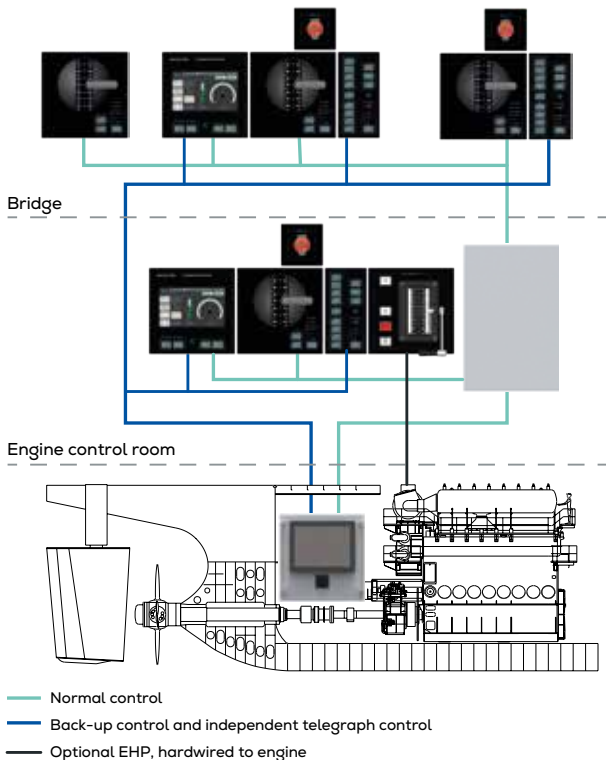
S35ME-C9.7/-GI

5	4,350	167	4,050	940	821	920	2,500	16.3
6	5,220	167	4,200	1,020	821	920	2,500	16.9
7	6,090	167	4,350	1,100	885	946	2,500	19.4
8	6,960	167	4,450	1,100	885	946	2,500	20.4

- 1) For optimal Kappel blades, the propeller diameter is reduced by an average of 3-10% compared to the listed standard diameters
- 2) The masses are stated for 3,000 mm stern tube and 8,000 mm propeller shaft

Alphatronic 3000 Propulsion control system

A high number of various FPP and CPP propulsion package applications are controlled by the Alphatronic 3000 system – customised for combinations of Everlence low and medium speed engines in a wide range of diesel-mechanical, hybrid or diesel-electric propulsion setups.





Alphatronic propulsion control system



Everllence
four-stroke
propulsion
engines



Everllence four-stroke propulsion engines – all emission requirements

Besides focus on power density and fuel economy, Everllence is committed to a steady reduction of the environmental impact of our engines.

IMO Tier II

Everllence has decreased NO_x emissions significantly by applying well-proven methods that ensure a cleaner and more efficient combustion process. Our four-stroke propulsion engines are IMO Tier II compliant by internal engine measures alone.

IMO Tier III

For operation in emission control areas (ECA), Everllence has developed a comprehensive range of selective catalytic reduction (SCR) systems that provides a tremendous reduction in NO_x levels surpassing IMO Tier III requirements.

The Everllence standard SCR system is available in fourteen different sizes covering our entire portfolio of four-stroke engines. Customised SCR systems are offered on demand.

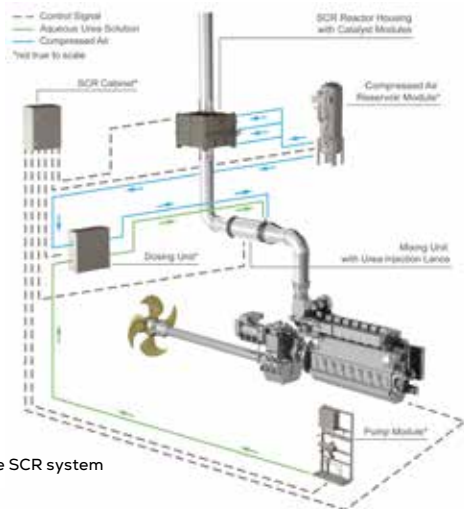
Everllence has developed a complete range of SCR systems that work perfectly with our engines for maximum system efficiency. The intelligent exhaust gas temperature control allows significant savings in fuel consumptions as compared to third-party supplier systems.

Everllence SCR systems can be used for distillate fuel and residual fuel up to 3.5% sulphur, according to ISO 8217:2024 and in line with the specifications of Everllence.

Urea consumption

The urea consumption depends on engine type, selected performance characteristics (engine map), in case of an engine with ECOMAP capability, operating profile, fuel type, ambient conditions, type of reduction agent, etc.

For more detailed information on the expected level of urea consumption, please contact Everlence with your project specific request.



Everlence SCR system



The modular SCR component kit

Conventional injection engines

Our well-established engine types are used in a vast array of applications all over the world. Based on long-term experience of historical proportions, our engines are in continuous development to increase power, reduce emissions, increase reliability, reduce fuel oil consumption, and increase longevity. Our engines are the prime movers of choice in the maritime sector.

Common rail (CR) engines

The flexibility of our CR technology enables a substantial improvement of the combustion process that improves the fuel economy and reduces emission levels. It is particularly advantageous in the low-load and mid-load ranges where our unique ECOMAP system (optional) applies different engine maps to reduce fuel consumption while observing IMO emission limits. Another feature is our patented Boost Injection. Our engine control system senses a load increase at a very early stage and tremendously improves the load response with the activation of boost injection by the common rail control. In addition, exhaust gas opacity is markedly reduced, far below the visibility limit. Our CR engines run efficiently on liquid fuels complying with ISO 8217 DMA, DMZ, and DMB, and on residual fuels (HFO) up to 700 cSt (in compliance with ISO-F-RMK 700).

Diesel oil (D) engines

The V28/33D STC features very favourable ratios of power-to-weight and power-to-installation space. The combination of low fuel consumption, low emissions and reduced life cycle costs makes this engine the ideal solution for propulsion in high speed ferries, naval and off-shore patrol vessels. The V28/33D STC engine operates on distillates according to ISO 8217 DMA or equivalent fuel types.

With the 175D, Everllence is presenting a new power pack setting future standards in the high-speed diesel engine market. The 175D, developed especially for use in the shipping industry, is part of a product initiative aimed at providing Everllence customers with a product portfolio that covers every power requirement, from high-speed diesel engines to low-speed diesel engines.

Sequential turbocharging (STC)

The Everllence sequential turbocharging system operates with two high-efficiency turbochargers. Depending on the amount of charge air required, the second turbocharger is switched on or off. In this way, the engine is operated at its optimum operating point over the whole applicable load range.

The result is an extended operating envelope at low engine speeds, which gives a power reserve for ship acceleration, ship turning, sprints or towing. Furthermore, the STC system is characterised by a low thermal signature, decreased smoke emission, low vibrations and continuous low-load operation with reduced fuel consumption, which makes it the ideal solution for propulsion in naval applications and offshore patrol vessels.

Dual fuel (DF) engines for natural gas operation

Dual fuel engines for natural gas operation from Everllence run efficiently on liquid fuels or natural gas with very low emissions that are compliant with IMO limits.

On gaseous fuel, the engines comply with IMO Tier III without the need for additional exhaust gas aftertreatment, and on liquid fuel they either fulfill IMO Tier II, or IMO Tier III together with an SCR system. The possibility to switch over seamlessly from gas to diesel operation and vice versa provides full flexibility in multiple applications.

All dual fuel engines for natural gas operation can run on natural gas with a methane number higher than 80 without adjustments. For lower methane numbers, Everllence can deliver well-adapted solutions. The optimised combustion chamber ensures very low fuel consumption in both operational modes.

Methane emissions

CH₄ has a notably higher impact on the climate than CO₂, and the emission of unburnt CH₄ fuel not only reduces the overall operation efficiency, but also affects the environmental footprint of ship operation.

Modern low-pressure dual fuel four-stroke engines provide extensive means of controlling the combustion process. Due to the operating principle, CH₄ emissions cannot be avoided completely. However, based on extensive expertise and experience, the latest Everllence four-stroke dual fuel engines are designed to achieve the best possible results, for example:

- Halving of the CH₄ slip
- The newest developments have halved the values once more
- Further development is successfully ongoing to reach yet another 50% reduction
- Using smart vessel operation optimisation, effective emissions can be additionally reduced already today.

Synthetic fuel operation (optional)

The production of synthetic fuels differs, such as HVO, BTL, CTL, and GTL, according to DIN EN 15940, but the fuel properties are identical and need to comply with the requirements of Everllence.

For the intended use of these synthetic diesel fuels:

- Special considerations for fuel handling, storage, and fuel preparation have to be considered
- To be clarified, whether special equipment is needed on the engine or within the plant
- Change of engine performance to be clarified

If this option is needed, contact Everllence.

Operation on FAME – transesterified biofuel (optional)

For the intended use of FAME fuels, according to EN-14214 or ASTM D6751 and the additional requirements of Everllence: ISO has published a new version of the ISO 8217 Specifications of marine fuels standard and to support this transition it now allows the use of FAME up to a concentration of 100% in specific grades.

FAME has been used in road transportation for many years and vast experience is available.

However, its adoption within the maritime industry requires specific attention to be given to the handling of these products.

If this option is needed, contact Everllence.

Methanol

Everllence is developing methanol technology paths for various engine types. Green methanol is an important fuel option to decarbonise the operation of propulsion and auxiliary GenSet equipment. Ensuring the feasibility of later retrofits can be crucial to avoid the risk of stranded assets by enabling the concurrent adaption of ships to expected regulations and fuel supply.

Products marked with **Methanol ready*** are intended to be available in future to be sold as methanol capable or will be intended to be available for retrofit to methanol operation under specific boundary conditions.

Please contact Everllence for further details on the engines marked as methanol ready, the certifying class societies, and the currently expected availability of methanol ready for the individual marked engines.

ECOLOAD advisory system

ECOLOAD is an advisory tool for marine powertrains (diesel-mechanic and diesel-electric) installed on-board the vessel on its own dedicated server hardware. Taking into account the current operating condition of the propulsion plant as well as input values entered by the operator, ECOLOAD calculates the optimum operating condition for the entire powertrain, and displays it via a graphical user interface.

On multi-engine plants, the holistically-optimised operation of the engines becomes very complex. In particular, engines with ECOMAP capability have a huge potential for lowering fuel oil consumption and emissions.

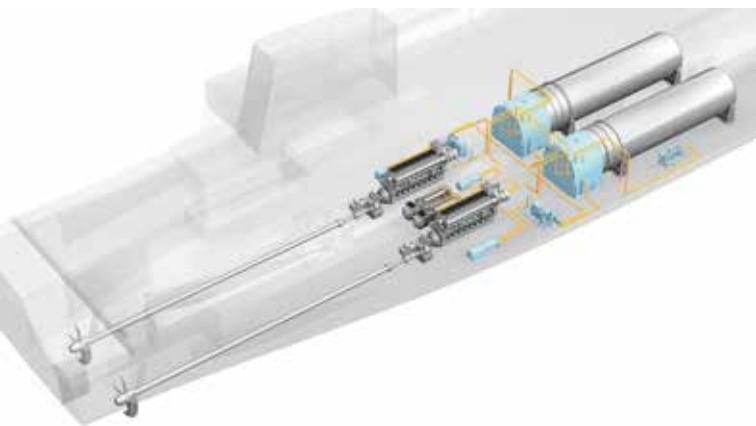


ECOLOAD advisory system providing advice on holistic powertrain operation

Everllence fuel gas supply solutions

Everllence is a world leader in engineering solutions for safe storage of energy on board ships, and reliably providing gas to both engines and fuel cells.

After 20 years of pioneering the market for LNG-fuelled ships, with more than 60 reference projects, Everllence has entered ground-breaking territory, developing unique solutions for storage and regasification of liquid hydrogen. With this milestone, Everllence consolidates its position as your reliable engineering partner for marine applications, as well as breaking new ground with its green power-to-X solutions for onshore applications.



Dual fuel propulsion package including fuel gas storage and supply system

Engine power

Engine brake power is stated in kW.

Ratings are given according to ISO 3046-1.

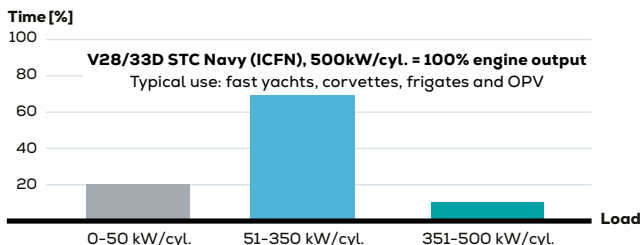
According to ISO 15550, the power figures in the tables are valid within a range of $\pm 3\%$ up to tropical conditions at sea level, i.e.:

- compressor inlet temperature 45°C
- compressor inlet pressure 1,000 mbar
- seawater temperature 32°C

For all commercial medium speed propulsion engines, the power is defined according to the ICN¹ definition (ISO 3046-1:2002: ISO standard power).

For all navy medium speed propulsion applications, the engine rated power is stated as ICFN (ISO standard Continuous Fuel stop Net power), derived from standard ISO 3046-1:2002. It means the engine is capable to deliver power continuously during a period of time corresponding to the application. The engine is operated at stated speed and reference ambient conditions as stated above, while the fuel amount is limited and the fuel stop power cannot be exceeded. The engine rated power is delivered between the maintenance intervals as defined. The ICFN₁ engine power rating description corresponds to 100% engine power output and cannot be exceeded.

Exemplary load profile type



¹ I = Power ISO 3046. C = continuous power output. F = fuel stop power. N = net

Specific fuel oil consumption (SFOC) and specific energy consumption

The stated consumption figures refer to the following reference conditions according to ISO 3046-1:

- ambient air pressure: 1,000 mbar
- ambient air temperature: 25°C (77 °F)
- charge air temperature: according to engine type, corresponding to 25°C cooling water temperature before CAC

The figures are given with a tolerance of +5% and without engine driven pumps. Additional fuel oil consumption must be considered for attached pumps and for engines directly driving dredge pumps.

In accordance with the NO_x Technical Code 2008 of the International Maritime Organization, DM-grade fuel oil is used as reference fuel oil for engine tests and, thus, also forms the basis for the SFOC figures stated for engines in liquid fuel operation.

Unless otherwise specifically stated, SFOC figures are based on a lower calorific value of the fuel oil of 42,700 kJ/kg and, in addition for engines with common rail injection (CR-engines), on DMA-grade fuel oil (ISO 8217). For engines with conventional fuel injection, SFOC figures are based on DMB-grade fuel oil (ISO 8217). For further details, please refer to our engine specific project guides available from Everllence.

Stated SFOC/SGC values are valid for currently applicable rules acc. IMO MARPOL ANNEX VI/NTC 2008, 2023 Edition. They are subject to change regarding draft amendments introduced at MEPC 83 (April 2025) with an entry-into-force date as of that of the revised MARPOL Annex VI, which is expected to be adopted in autumn 2026. There will be a transition phase for new and existing engine groups/families between 2028 and 2030, exact dates to be confirmed.

Specific lube oil consumption (SLOC)

The specific lube oil consumption is specified at MCR (maximum continuous rating) with a tolerance of 20%.

Blocking of output

Blocking of output is made for engines driving a propeller at 100% of the rated output. For engines powering an alternator, blocking of output is made at 110%. However, operation above 100% load is only recommended for a short period of time for recovery and prevention of a frequency drop.

Weights and dimensions

For marine main engines, the weights stated refer to engines without a flywheel.

All weights given are without lube oil and cooling water.

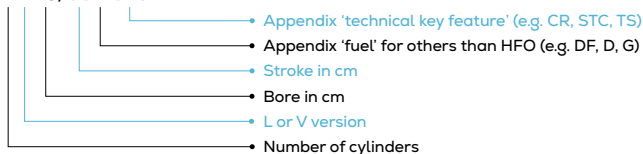
For auxiliary engines (GenSets), weights refer to the unit (including alternator). The weight of the GenSet may vary depending on the alternator make.

The length of the GenSet unit depends on the alternator make. For a twin engine installation, the centreline distance is stated for each engine type.

The centreline distance for a twin engine installation is given as a minimum value. Specific requirements to the passageway (e.g. of classification societies or flag state authority), seating type or a gallery can lead to higher values.

Engine type designation

12V28/33D STC



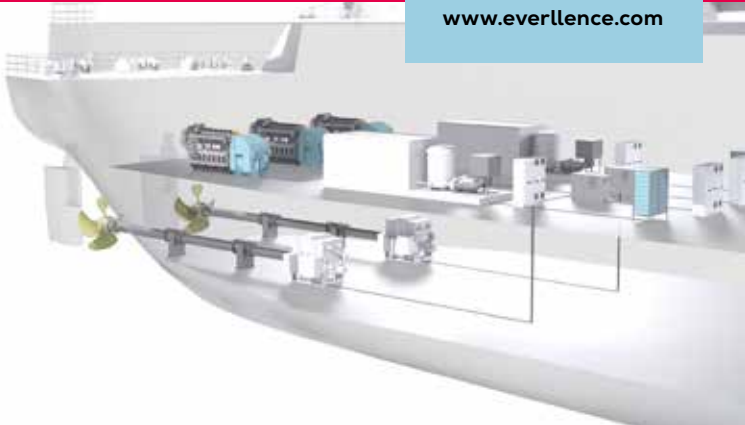
Everllence

Dual-Fuel, Electric+

**Advanced propulsion
for maximum efficiency**

The new Dual-Fuel, Electric+ (DFE+) propulsion concept for LNG carriers brings together the Everllence 49/60DF engine and ABB's Dynamic AC power distribution and control system. This innovative solution enables variable speed operation, significantly reducing methane emissions. By requiring less machinery space, the DFE+ concept increases cargo capacity and enhances overall energy efficiency.

**Learn more on
www.everllence.com**



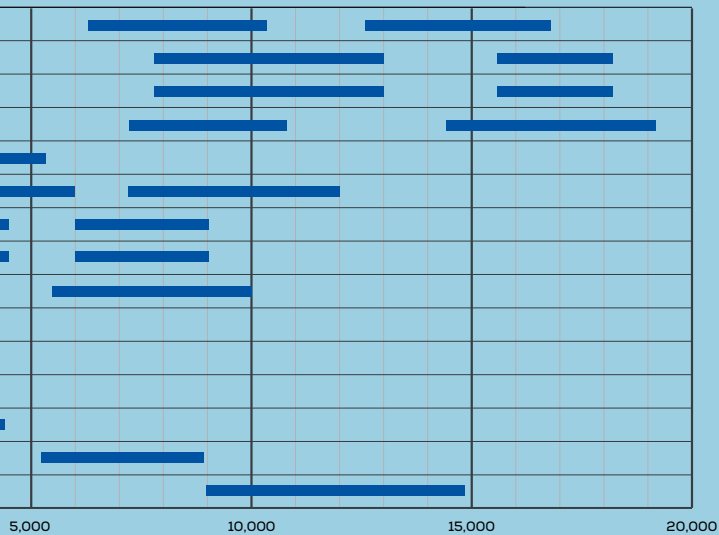
Everllence

four-stroke propulsion engines programme

r/min	Engine type				
500-514	L51/60DF, V51/60DF				
600	L49/60DF, V49/60DF				
600	L49/60, V49/60				
500-514	L48/60CR, V48/60CR				
720-750	L35/44DF				■
720-750	L32/44CR, V32/44CR				■
720-750	L32/40CD, V32/40CD - NR Turbocharging variant				■
720-750	L32/40CD, V32/40CD - TCF Turbocharging variant				■
1,000-1,032	V28/33D STC				
750-800	L27/38, L27/38 (MDO/MGO)				■
750-900	L27/38 Mk 2				■
1,000	L21/31				■
1,600-2,000	175D				■
1,050-1,084	S.E.M.T. Pielstick PA6B STC				
600	S.E.M.T. Pielstick PC2.6B				

0

We refer to page 164 for a complete overview of engines which can be used for diesel-electric propulsion applications.



V51/60DF

High efficiency variant

Methanol ready*

Tier II Tier III

Tier III in gas mode

Bore: 510 mm, **Stroke:** 600 mm

Speed	r/min	514	500
mep	bar	20.0	20.6
		kW	kW
12V51/60DF		12,600	12,600
14V51/60DF		14,700	14,700
16V51/60DF		16,800	16,800

LHV of fuel gas $\geq 28,000$ kJ/Nm³

(Nm³ corresponds to one cubic metre of gas at 0°C and 1.013 bar)

Specific fuel oil consumption (SFOC) and specific energy consumption at ISO conditions (IMO 2008)

MCR	100%	85%
Specific fuel oil consumption¹⁾	177.0 g/kWh	174.5 g/kWh
Specific energy consumption²⁾	7,150 kJ/kWh	7,150 kJ/kWh

Specific lube oil consumption³⁾: 0.38 g/kWh for nominal output 1,050 kW/cyl.

¹⁾ Liquid fuel operation

²⁾ Gas operation (including pilot fuel, cetane no. 55 - 60), gas fuel: methane no. 80

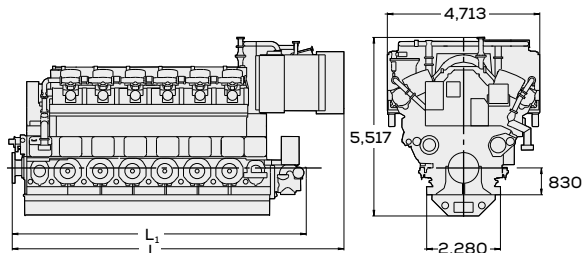
³⁾ Related to 100% actual engine load

* Refer to page 113 for further information

Dimensions

Cyl. No.		12	14	16
L	mm	10,254	11,254	12,254
L₁	mm	9,088	10,088	11,088
Dry mass	t	199	228	250

Minimum centreline distance for twin engine installation: 4,800 mm



Bore: 510 mm, **Stroke:** 600 mm

Speed	r/min	514	500
mep	bar	20.0	20.6
		kW	kW
6L51/60DF		6,300	6,300
7L51/60DF		7,350	7,350
8L51/60DF		8,400	8,400
9L51/60DF		9,450	9,450

LHV of fuel gas $\geq 28,000$ kJ/Nm³

(Nm³ corresponds to one cubic metre of gas at 0°C and 1.013 bar)

Specific fuel oil consumption (SFOC) and specific energy consumption at ISO conditions (IMO 2008)

MCR	100%	85%
Specific fuel oil consumption ¹⁾	178.5 g/kWh	176.0 g/kWh
Specific energy consumption ²⁾	7,150 kJ/kWh	7,150 kJ/kWh

Specific lube oil consumption³⁾: 0.38 g/kWh for nominal output 1,050 kW/cyl.

¹⁾ Liquid fuel operation

²⁾ Gas operation (including pilot fuel, cetane no. 55 - 60), gas fuel: methane no. 80

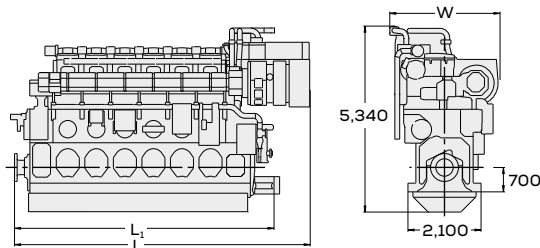
³⁾ Related to 100% actual engine load

* Refer to page 113 for further information

Dimensions

Cyl. No.		6	7	8	9
L	mm	8,494	9,314	10,134	11,160
L ₁	mm	7,455	8,275	9,095	9,915
W	mm	3,165	3,165	3,165	3,283
Dry mass	t	110	124	137	155

Minimum centreline distance for twin engine installation: 3,200 mm



V51/60DF

High power variant

Methanol ready*

Tier II Tier III

Tier III in gas mode

Bore: 510 mm, **Stroke:** 600 mm

Speed	r/min	514	500
mep	bar	21.9	22.5
		kW	kW
12V51/60DF		13,800	13,800
14V51/60DF		16,100	16,100

LHV of fuel gas $\geq 28,000$ kJ/Nm³

(Nm³ corresponds to one cubic metre of gas at 0°C and 1.013 bar)

Specific fuel oil consumption (SFOC) and specific energy consumption at ISO conditions (IMO 2008)

MCR	100%	85%
Specific fuel oil consumption¹⁾	184.0 g/kWh	181.0 g/kWh
Specific energy consumption²⁾ (12V51/60DF)	7,280 kJ/kWh	7,250 kJ/kWh
Specific energy consumption²⁾ (14V51/60DF)	7,280 kJ/kWh	7,300 kJ/kWh

Specific lube oil consumption³⁾: 0.35 g/kWh for nominal output 1,150 kW/cyl.

¹⁾ Liquid fuel operation

²⁾ Gas operation (including pilot fuel, cetane no. 55 - 60), gas fuel: methane no. 80

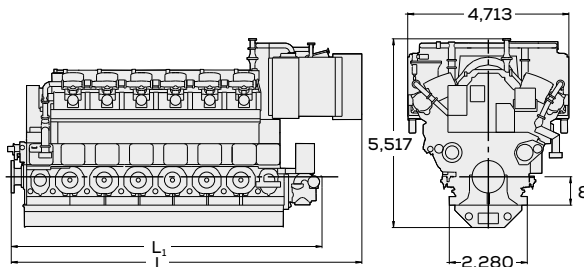
³⁾ Related to 100% actual engine load

* Refer to page 113 for further information

Dimensions

Cyl. No.		12	14
L	mm	10,254	11,254
L₁	mm	9,088	10,088
Dry mass	t	199	228

Minimum centreline distance for twin engine installation: 4,800 mm



Tier III in gas mode

High power variant

Bore: 510 mm, **Stroke:** 600 mm

Speed	r/min	514	500
mep	bar	21.9	22.5
		kW	kW
6L51/60DF		6,900	6,900
7L51/60DF		8,050	8,050
8L51/60DF		9,200	9,200
9L51/60DF		10,350	10,350

LHV of fuel gas $\geq 28,000$ kJ/Nm³(Nm³ corresponds to one cubic metre of gas at 0°C and 1.013 bar)

Specific fuel oil consumption (SFOC) and specific energy consumption at ISO conditions (IMO 2008)

MCR	100%	85%
Specific fuel oil consumption ¹⁾	185.5 g/kWh	182.0 g/kWh
Specific energy consumption ²⁾	7,350 kJ/kWh	7,350 kJ/kWh

Specific lube oil consumption³⁾: 0.35 g/kWh for nominal output 1,150 kW/cyl.

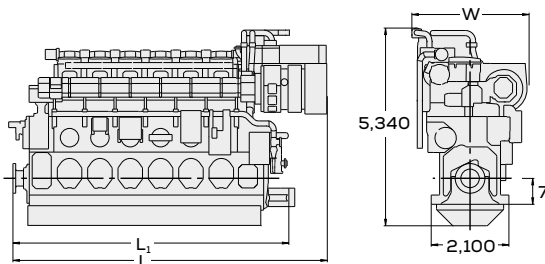
¹⁾ Liquid fuel operation²⁾ Gas operation (including pilot fuel, cetane no. 55 - 60), gas fuel: methane no. 80³⁾ Related to 100% actual engine load

* Refer to page 113 for further information

Dimensions

Cyl. No.		6	7	8	9
L	mm	8,494	9,314	10,134	11,160
L ₁	mm	7,455	8,275	9,095	9,915
W	mm	3,165	3,165	3,165	3,283
Dry mass	t	110	124	137	155

Minimum centreline distance for twin engine installation: 3,200 mm



Bore: 490 mm, **Stroke:** 600 mm

Speed	r/min	600
mep	bar	23
		kW
12V49/60DF		15,600
14V49/60DF		18,200

LHV of fuel gas $\geq 28,000$ kJ/Nm³

(Nm³ corresponds to one cubic metre of gas at 0°C and 1.013 bar)

Specific fuel oil consumption (SFOC) and specific energy consumption at ISO conditions

MCR	100%	85%
Specific fuel oil consumption (IMO 2008)¹⁾	175.5 g/kWh	170.0 g/kWh
Specific energy consumption (IMO 2008)²⁾	6,985 kJ/kWh	6,990 kJ/kWh
Specific energy consumption (IMO 2028)^{1), 3)}	175.5 g/kWh	175.0 g/kWh
Specific energy consumption (IMO 2028)^{2), 3)}	6,985 kJ/kWh	7,050 kJ/kWh

Specific lube oil consumption⁴⁾: 0.38 g/kWh for nominal output 1,300 kW/cyl.

¹⁾ Liquid fuel operation

²⁾ Gas operation (including pilot fuel, cetane no. 55-60), gas fuel: methane no. 80

³⁾ For electric propulsion and EPROX applications

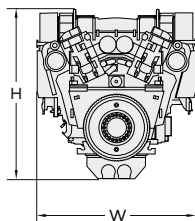
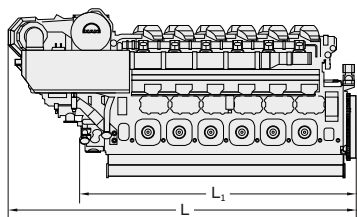
⁴⁾ Related to 100% actual engine load

* Refer to page 105 for further information

Dimensions

Cyl. No.		12	14
L	mm	10,898	11,878
L₁	mm	9,350	10,330
W	mm	5,019	5,019
H	mm	5,681	5,681
Dry mass	t	217	245

Minimum centreline distance for twin engine installation: 5,750 mm



Tier III in gas mode

Bore: 490 mm, **Stroke:** 600 mm

Speed	r/min	600
mep	bar	23
		kW
6L49/60DF		7,800
7L49/60DF		9,100
8L49/60DF		10,400
9L49/60DF		11,700
10L49/60DF		13,000

LHV of fuel gas $\geq 28,000$ kJ/Nm³

(Nm³ corresponds to one cubic metre of gas at 0°C and 1.013 bar)

Specific fuel oil consumption (SFOC) and specific energy consumption at ISO conditions

MCR	100%	85%
Specific fuel oil consumption (IMO 2008) ^{1), 3)}	175.5 g/kWh	170.5 g/kWh
Specific energy consumption (IMO 2008) ^{2), 3)}	6,985 kJ/kWh	6,990 kJ/kWh
Specific energy consumption (IMO 2028) ^{1), 3), 4)}	175.5 g/kWh	175.0 g/kWh
Specific energy consumption (IMO 2028) ^{2), 3), 4)}	6,985 kJ/kWh	7,050 kJ/kWh

Specific lube oil consumption⁵⁾: 0.38 g/kWh for nominal output 1,300 kW/cyl.

¹⁾ Liquid fuel operation

²⁾ Gas operation (including pilot fuel, cetane no. 55-60), gas fuel: methane no. 80

³⁾ Higher values for 8L and 10L

⁴⁾ For electric propulsion and EPROX applications

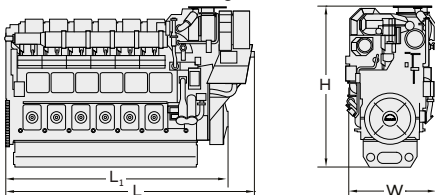
⁵⁾ Related to 100% actual engine load

* Refer to page 113 for further information

Dimensions

Cyl. No.		6	7	8	9	10
L	mm	8,518	9,338	10,399	11,219	12,039
L₁	mm	7,238	8,058	8,878	9,698	10,518
W	mm	3,134	3,134	3,134	3,154	3,154
H	mm	5,426	5,426	5,426	5,582	5,582
Dry mass	t	130	145	165	180	195

Minimum centreline distance for twin engine installation: 3,700 mm



Bore: 490 mm, **Stroke:** 600 mm

Speed	r/min	600
mep	bar	23
		kW
12V49/60		15,600
14V49/60		18,200

Specific fuel oil consumption (SFOC) at ISO conditions

MCR	100%	85%
Specific fuel oil consumption (IMO 2008)	175.5 g/kWh	170.5 g/kWh
Specific fuel oil consumption (IMO 2028)¹⁾	175.5 g/kWh	175.0 g/kWh

Specific lube oil consumption²⁾: 0.38 g/kWh for nominal output 1,300 kW/cyl.

¹⁾ For electric propulsion and EPROX applications

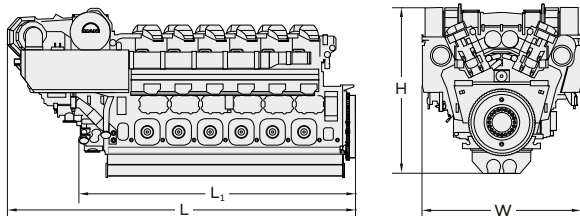
²⁾ Related to 100% actual engine load

* Refer to page 113 for further information

Dimensions

Cyl. No.		12	14
L	mm	10,898	11,878
L₁	mm	9,350	10,330
W	mm	5,019	5,019
H	mm	5,681	5,681
Dry mass	t	217	245

Minimum centreline distance for twin engine installation: 5,750 mm



Tier III with SCR

Bore: 490 mm, **Stroke:** 600 mm

Speed	r/min	600
mep	bar	23
		kW
6L49/60		7,800
7L49/60		9,100
8L49/60		10,400
9L49/60		11,700
10L49/60		13,000

Specific fuel oil consumption (SFOC) at ISO conditions

MCR	100%	85%
Specific fuel oil consumption (IMO 2008)¹⁾	175.5 g/kWh	170.5 g/kWh
Specific fuel oil consumption (IMO 2028)^{1), 2)}	175.5 g/kWh	175.0 g/kWh

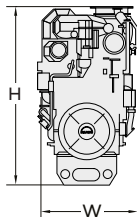
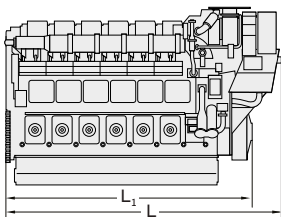
Specific lube oil consumption³⁾: 0.38 g/kWh for nominal output 1,300 kW/cyl.¹⁾ Higher values for 8L and 10L²⁾ For electric propulsion and EPROX applications³⁾ Related to 100% actual engine load

* Refer to page 113 for further information

Dimensions

Cyl. No.		6	7	8	9	10
L	mm	8,518	9,338	10,399	11,219	12,039
L₁	mm	7,238	8,058	8,878	9,698	10,518
W	mm	3,134	3,134	3,134	3,154	3,154
H	mm	5,426	5,426	5,426	5,582	5,582
Dry mass	t	130	145	165	180	195

Minimum centreline distance for twin engine installation: 3,700 mm



Bore: 480 mm, **Stroke:** 600 mm

Speed	r/min	514	500
mep	bar	25.8	26.5
		kW	kW
12V48/60CR		14,400	14,400
14V48/60CR		16,800	16,800
16V48/60CR		19,200	19,200

Specific fuel oil consumption (SFOC) at ISO conditions (IMO 2008)

MCR	100%	85%
V48/60CR	182.0 g/kWh	173.5 g/kWh

Specific lube oil consumption¹⁾: 0.5 g/kWh for nominal output 1,200 kW/cyl.

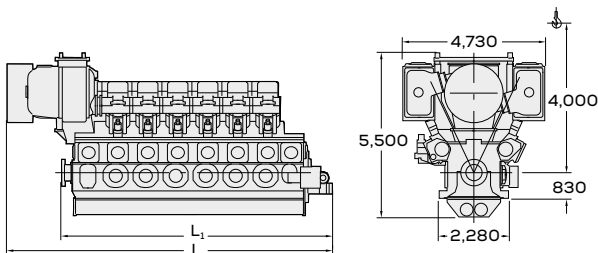
¹⁾ Related to 100% actual engine load

* Refer to page 113 for further information

Dimensions

Cyl. No.		12	14	16
L	mm	10,790	11,790	13,140
L₁	mm	9,088	10,088	11,088
Dry mass	t	189	213	240

Minimum centreline distance for twin engine installation: 4,800 mm



Tier III with SCR

Bore: 480 mm, **Stroke:** 600 mm

Speed	r/min	514	500
mep	bar	25.8	26.5
		kW	kW
6L48/60CR		7,200	7,200
7L48/60CR		8,400	8,400
8L48/60CR		9,600	9,600
9L48/60CR		10,800	10,800

Specific fuel oil consumption (SFOC) at ISO conditions (IMO 2008)

MCR	100%	85%
L48/60CR	184.0 g/kWh	175.5 g/kWh

Specific lube oil consumption¹⁾: 0.5 g/kWh for nominal output 1,200 kW/cyl.

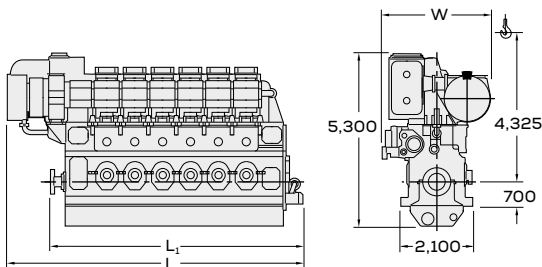
¹⁾ Related to 100% actual engine load

* Refer to page 113 for further information

Dimensions

Cyl. No.		6	7	8	9
L	mm	8,760	9,580	10,540	11,360
L₁	mm	7,455	8,275	9,095	9,915
W	mm	3,165	3,165	3,280	3,280
Dry mass	t	106	119	135	148

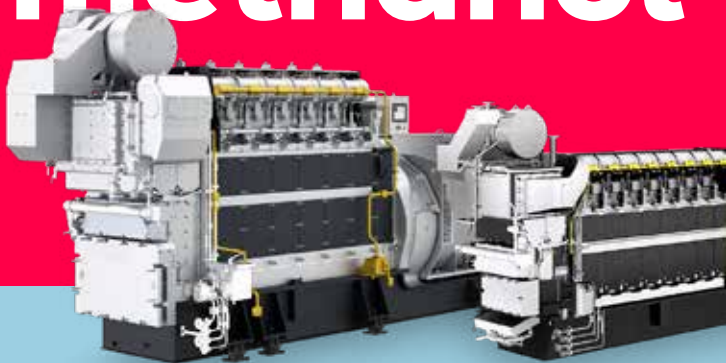
Minimum centreline distance for twin engine installation: 3,200 mm



Everllence

Set your course to net zero with

methanol



Reduce your carbon footprint with methanol GenSets

The L21/31DF-M was the first small-bore dual-fuel methanol GenSet in our portfolio. And the L27/38DF-M is the next milestone and addition to our small-bore engine portfolio. Both engine types can either be used as GenSet or for diesel-electric propulsion.

The foundations of these engines are the trusted and proven L21/31 and L27/38 GenSets, which have jointly accumulated millions of operating hours, with thousands of engines in service.

Tier III in gas mode

Bore: 350 mm, **Stroke:** 440 mm

Speed	r/min	750	720
mep	bar	20.0	20.1
		kW	kW
6L35/44DF		3,180	3,060
7L35/44DF		3,710	3,570
8L35/44DF		4,240	4,080
9L35/44DF		4,770	4,590
10L35/44DF		5,300	5,100

LHV of fuel gas $\geq 28,000$ kJ/Nm³(Nm³ corresponds to one cubic metre of gas at 0°C and 1.013 bar)**Specific fuel oil consumption (SFOC) and specific energy consumption at ISO conditions (IMO 2008)**

MCR	100%	85%
Specific fuel oil consumption¹⁾	177.0 g/kWh	174.0 g/kWh
Specific energy consumption²⁾	7,410 kJ/kWh	7,440 kJ/kWh

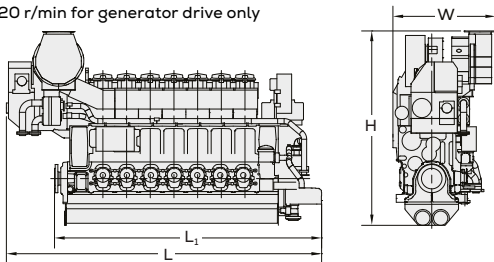
Specific lube oil consumption³⁾: 0.5 g/kWh for nominal output 530 kW/cyl. or 0.52 g/kWh for nominal output 510 kW/cyl.¹⁾ Liquid fuel operation²⁾ Gas operation (including pilot fuel, cetane no. 55 - 60), gas fuel: methane no. 80³⁾ Related to 100% actual engine load**Dimensions**

Cyl. No.		6	7	8	9	10
L	mm	6,485	7,015	7,545	8,075	8,605
L₁	mm	5,265	5,877	6,407	6,937	7,556
W	mm	2,539	2,678	2,678	2,678	2,678
H	mm	4,163	4,369	4,369	4,369	4,369
Dry mass⁵⁾	t	44.0	48.0	53.0	58.0	62.5

Minimum centreline distance for twin engine installation: 2,500 mm

⁵⁾ Including built-on lube oil automatic filter, fuel oil filter and electronic equipment

Speed 720 r/min for generator drive only



Bore: 320 mm, **Stroke:** 440 mm

Speed	r/min	750	720
mep	bar	27.1	28.3
		kW	kW
12V32/44CR		7,200	7,200
14V32/44CR ¹⁾		8,120	8,120
16V32/44CR		9,600	9,600
18V32/44CR ²⁾		10,800	10,800
20V32/44CR		12,000	12,000

Specific fuel oil consumption (SFOC) at ISO conditions (IMO 2008)

MCR	100%	85%
V32/44CR	175.5 g/kWh	171.0 g/kWh
14V32/44CR	176.0 g/kWh	171.5 g/kWh
V32/44CR FPP	176.5 g/kWh	172.5 g/kWh
14V32/44CR FPP	177.5 g/kWh	174.0 g/kWh

Specific lube oil consumption³⁾: 0.5 g/kWh for nominal output 600 kW/cyl., 0.52 g/kWh for nominal output 580 kW/cyl., 0.55 g/kWh for nominal output 550 kW/cyl.

Speed 720 r/min for generator drive/constant speed operation only

¹⁾ 580 kW/cyl.

²⁾ 18V32/44CR available rigidly mounted only

³⁾ Related to 100% actual engine load

* Refer to page 113 for further information

Dimensions

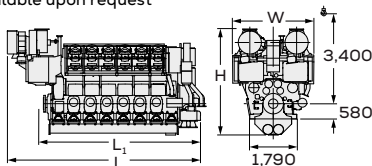
Cyl. No.		12	14	16	18	20
L	mm	7,195	7,970	8,600	9,230	9,860
L ₁	mm	5,795	6,425	7,055	7,685	8,315
W	mm	3,100	3,100	3,100	3,100	3,100
H	mm	4,039	4,262	4,262	4,262	4,262
Dry mass ⁵⁾	t	70	82	89	100	106

Minimum centreline distance for twin engine installation: 4,000 mm

⁵⁾ Including built-on lube oil automatic filter, fuel oil filter and electronic equipment

Fixed pitch propeller: 550 kW/cyl., 750 r/min

Wet oil sump available upon request



Tier III with SCR

Bore: 320 mm, **Stroke:** 440 mm

Speed	r/min	750	720
mep	bar	27.1	28.3
		kW	kW
6L32/44CR		3,600	3,600
7L32/44CR¹⁾		4,060	4,060
8L32/44CR		4,800	4,800
9L32/44CR		5,400	5,400
10L32/44CR		6,000	6,000

Specific fuel oil consumption (SFOC) at ISO conditions (IMO 2008)

MCR	100%	85%
L32/44CR	176.0 g/kWh	172.0 g/kWh
7L32/44CR	176.5 g/kWh	172.5 g/kWh
L32/44CR FPP	176.5 g/kWh	172.5 g/kWh
7L32/44CR FPP	177.5 g/kWh	174.0 g/kWh

Specific lube oil consumption²⁾: 0.5 g/kWh for nominal output 600 kW/cyl., 0.52 g/kWh for nominal output 580 kW/cyl., 0.55 g/kWh for nominal output 550 kW/cyl.

Speed 720 r/min for generator drive/constant speed operation only

¹⁾ 580 kW/cyl.

²⁾ Related to 100% actual engine load

* Refer to page 113 for further information

Dimensions

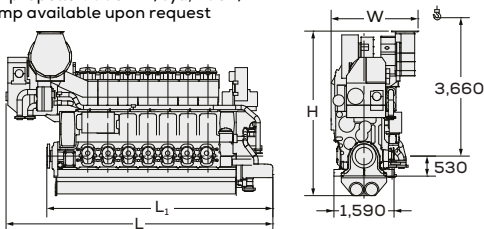
Cyl. No.		6	7	8	9	10
L	mm	6,312	6,924	7,454	7,984	8,603
L₁	mm	5,265	5,877	6,407	6,937	7,556
W	mm	2,174	2,359	2,359	2,359	2,359
H	mm	4,163	4,369	4,369	4,369	4,369
Dry mass⁴⁾	t	42.5	48.5	53.5	58.0	63.5

Minimum centreline distance for twin engine installation: 2,500 mm

⁴⁾ Including built-on lube oil automatic filter, fuel oil filter and electronic equipment

Fixed pitch propeller: 550 kW/cyl., 750 r/min

Wet oil sump available upon request



V32/40CD

NR Turbocharging variant

Tier II Tier III

Tier III with SCR

Bore: 320 mm, **Stroke:** 400 mm

Speed	r/min	750	720
mep	bar	24.9	25.9
		kW	kW
12V32/40CD		6,000	6,000
14V32/40CD		7,000	7,000
16V32/40CD		8,000	8,000
18V32/40CD		9,000	9,000

Specific fuel oil consumption (SFOC) at ISO conditions (IMO 2008)

MCR	100%	75%
V32/40	184 g/kWh	187 g/kWh
V32/40 FPP	187 g/kWh	189 g/kWh

Specific lube oil consumption¹⁾: 0.5 g/kWh for nominal output 500 kW/cyl., 0.56 g/kWh for nominal output 450 kW/cyl.

¹⁾ Related to 100% actual engine load

Dimensions

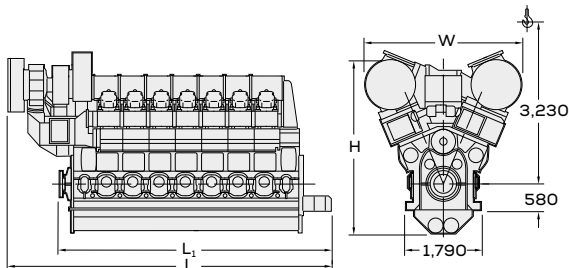
Cyl. No.		12	14	16	18
L	mm	6,915	7,545	8,365	8,995
L ₁	mm	5,890	6,520	7,150	7,780
W	mm	3,140	3,140	3,730	3,730
H	mm	4,100	4,100	4,420	4,420
Dry mass	t	61	68	77	85

Minimum centreline distance for twin engine installation: 4,000 mm

Speed 720 r/min for generator drive/constant speed operation only

Fixed pitch propeller: 450 kW/cyl., 750 r/min

V32/40 as marine main engine to be applied for multi-engine plants only



Bore: 320 mm, Stroke: 400 mm

Speed	r/min	750	720
mep	bar	24.9	25.9
		kW	kW
6L32/40CD		3,000	3,000
7L32/40CD		3,500	3,500
8L32/40CD		4,000	4,000
9L32/40CD		4,500	4,500

Specific fuel oil consumption (SFOC) at ISO conditions (IMO 2008)

MCR	100%	75%
L32/40	186 g/kWh	190 g/kWh
L32/40 FPP	189 g/kWh	192 g/kWh

Specific lube oil consumption¹⁾: 0.5 g/kWh for nominal output 500 kW/cyl., 0.56 g/kWh for nominal output 450 kW/cyl.

¹⁾ Related to 100% actual engine load

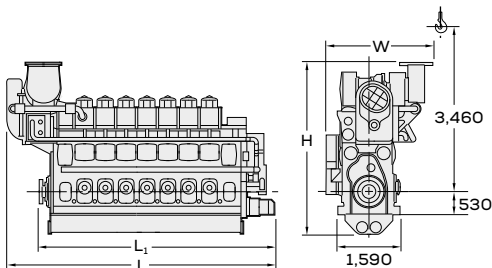
Dimensions

Cyl. No.		6	7	8	9
L	mm	5,940	6,470	7,000	7,530
L ₁	mm	5,140	5,670	6,195	6,725
W	mm	2,630	2,630	2,715	2,715
H	mm	4,010	4,010	4,490	4,490
Dry mass	t	38	42	47	51

Minimum centreline distance for twin engine installation: 2,500 mm. Please contact Everllence for the precise information about the centreline distance for two engines with the same cylinder number standing near each other.

Speed 720 r/min for generator drive/constant speed operation only.

Fixed pitch propeller: 450 kW/cyl., 750 r/min



V32/40CD

TCF Turbocharging variant*

Tier II Tier III

Tier III with SCR

Bore: 320 mm, **Stroke:** 400 mm

Speed	r/min	750	720
mep	bar	24.9	25.9
		kW	kW
12V32/40CD		6,000	6,000
14V32/40CD		7,000	7,000
16V32/40CD		8,000	8,000
18V32/40CD		9,000	9,000

Specific fuel oil consumption (SFOC) at ISO conditions (IMO 2028)

MCR	100%	75%
V32/40, 750 rpm	189.0 g/kWh	184.0 g/kWh
V32/40, 720 rpm	189.0 g/kWh	183.0 g/kWh
V32/40 FPP	190.0 g/kWh	183.5 g/kWh

Specific lube oil consumption¹⁾: 0.5 g/kWh for nominal output 500 kW/cyl., 0.56 g/kWh for nominal output 450 kW/cyl.

¹⁾ Related to 100% actual engine load

* Release in October 2025, compliant with upcoming IMO rules 2028

Dimensions

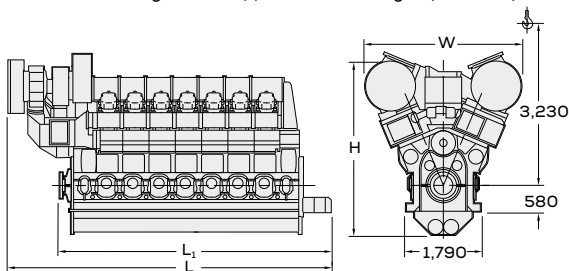
Cyl. No.		12	14	16	18
L	mm	6,974	7,604	8,228	8,858
L ₁	mm	5,890	6,520	7,150	7,780
W	mm	3,255	3,255	3,255	3,255
H	mm	4,181	4,181	4,181	4,181
Dry mass	t	62	69	76	84

Minimum centreline distance for twin engine installation: 4,000 mm

Speed 720 r/min for generator drive/constant speed operation only

Fixed pitch propeller: 450 kW/cyl., 750 r/min

V32/40 as marine main engine to be applied for multi-engine plants only



Bore: 320 mm, Stroke: 400 mm

Speed	r/min	750	720
mep	bar	24.9	25.9
		kW	kW
6L32/40CD		3,000	3,000
7L32/40CD		3,500	3,500
8L32/40CD		4,000	4,000
9L32/40CD		4,500	4,500

Specific fuel oil consumption (SFOC) at ISO conditions (IMO 2028)

MCR	100%	75%
L32/40, 750 rpm	191.0 g/kWh	186.0 g/kWh
L32/40, 720 rpm	191.0 g/kWh	185.0 g/kWh
L32/40 FPP	192.0 g/kWh	185.5 g/kWh

Specific lube oil consumption¹⁾: 0.5 g/kWh for nominal output 500 kW/cyl., 0.56 g/kWh for nominal output 450 kW/cyl.

¹⁾ Related to 100% actual engine load

* Release in October 2025, compliant with upcoming IMO rules 2028

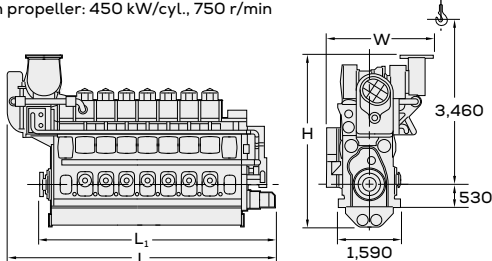
Dimensions

Cyl. No.		6	7	8	9
L	mm	5,940	6,470	7,000	7,530
L ₁	mm	5,140	5,670	6,195	6,725
W	mm	2,630	2,630	2,630	2,630
H	mm	4,010	4,010	4,010	4,010
Dry mass	t	38.5	42.5	47	51

Minimum centreline distance for twin engine installation: 2,500 mm. Please contact Everlence for the precise information about the centreline distance for two engines with the same cylinder number standing near each other.

Speed 720 r/min for generator drive/constant speed operation only.

Fixed pitch propeller: 450 kW/cyl., 750 r/min



Bore: 280 mm, **Stroke:** 330 mm

		Standard engine	Load profile 'Navy'
Speed	r/min	1,000	1,032
mep	bar	26.9	28.6
12V28/33D STC		5,460	6,000
16V28/33D STC		7,280	8,000
20V28/33D STC		9,100	10,000

Specific fuel oil consumption (SFOC) at ISO conditions (IMO 2008)

Output		100%	85%	100%	85%
12V28/33D STC	g/kWh	189.0	186.0	194.0	188.5
16V28/33D STC	g/kWh	188.0	183.5	192.0	186.5
20V28/33D STC	g/kWh	188.0	183.5	192.0	186.5

Specific lube oil consumption¹⁾: 0.4 g/kWh for nominal output 455 kW/cyl., 0.36 g/kWh for nominal output 500 kW/cyl.

Figures on theoretical propeller curve for distillates according to ISO 8217 DMA, with attached high temperature (HT) and low temperature (LT) cooling water pumps, lube oil pump, seawater pump and fuel pump

¹⁾ Related to 100% actual engine load

Dimensions

Cyl. No.		12	16	20
L	mm	6,207	7,127	8,047
H²⁾	mm	3,417	3,417	3,417
H³⁾	mm	3,682	3,682	3,682
Dry mass⁴⁾	t	35.6	43.0	50.6

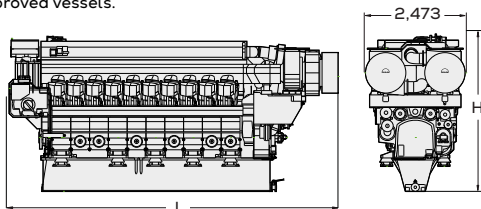
²⁾ With low oil sump

³⁾ With deep oil sump

⁴⁾ Tolerance: 5%

Weight and performance parameters refer to engine with flywheel, TC silencer, attached pumps, oil filters and lube oil cooler.

V28/33D STC as marine main engine to be applied for multi-engine plants only in class-approved vessels.



Propeller reliability package



Safeguard full
continuous
operation
between
5-year
dockings

Reliable spare parts
offer the safe route to
secure your performance.
www.everllence.com/services

Everllence

PrimeServ

Bore: 270 mm, **Stroke:** 380 mm

Speed	r/min	750	800	800 (MDO ¹⁾ /MGO)
mep	bar	25.7	23.5	25.2
		kW	kW	kW
6L27/38		2,100	2,040	2,190
7L27/38		2,450	2,380	2,555
8L27/38		2,800	2,720	2,920
9L27/38		3,150	3,060	3,285

Specific fuel oil consumption (SFOC) at ISO conditions

MCR	100%			85%		
	340 kW	350 kW	365 kW	340 kW	350 kW	365 kW
L27/38 CPP	188 g/kWh	189 g/kWh	191 g/kWh	185 g/kWh	186 g/kWh	186 g/kWh
L27/38 FPP	187 g/kWh	-	191 g/kWh	181 g/kWh	-	185 g/kWh

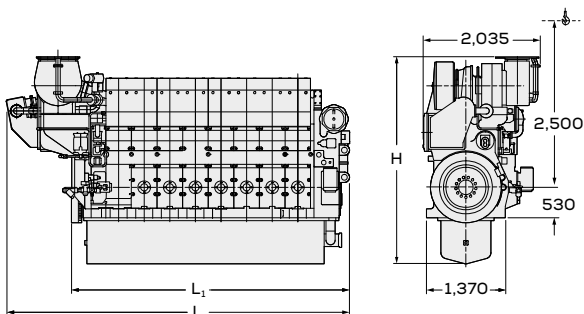
Specific lube oil consumption 0.8 g/kWh

Dimensions

Cyl. No.		6	7	8	9
L	mm	5,070	5,515	5,960	6,405
L₁	mm	3,962	4,407	4,852	5,263
H	mm	3,555	3,687	3,687	3,687
Dry mass	t	29.0	32.5	36.0	39.5

Minimum centreline distance for twin engine installation: 2,500 mm

¹⁾ MDO viscosity must not exceed $6 \text{ mm}^2/\text{s} = \text{cSt}$ at 40°C.



Tier III with SCR

Bore: 270 mm, Stroke: 380 mm

Speed	r/min	750	900
mep	bar	25.7	25.1
		kW	kW
6L27/38 Mk 2		2,100	2,460
7L27/38 Mk 2		2,450	2,870
8L27/38 Mk 2		2,800	3,280
9L27/38 Mk 2		3,150	3,690

Specific fuel oil consumption (SFOC) at ISO conditions

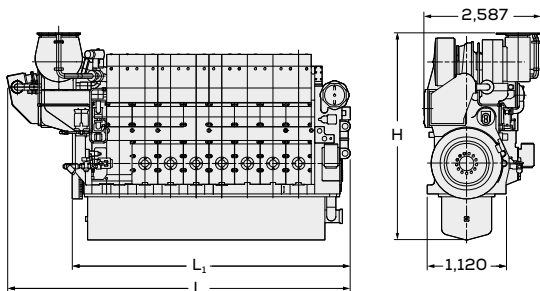
MCR	100%		85%	
	350 kW	410 kW	350 kW	410 kW
L27/38 CPP	189 g/kWh	191 g/kWh	186 g/kWh	186 g/kWh
L27/38 FPP	-	191 g/kWh	-	185 g/kWh

Specific lube oil consumption 0.8 g/kWh

Dimensions

Cyl. No.		6	7	8	9
L	mm	5,210	5,655	6,100	6,545
L₁	mm	4,127	4,572	5,017	5,462
H	mm	3,405	3,587	3,637	3,687
Dry mass	t	30.5	33.7	36.6	40

Minimum centreline distance for twin engine installation: 2,500 mm



Bore: 210 mm, **Stroke:** 310 mm

Speed	r/min	1,000
mep	bar	24.0
		kW
6L21/31		1,290
7L21/31		1,505
8L21/31		1,720
9L21/31		1,935

Specific fuel oil consumption (SFOC) at ISO conditions

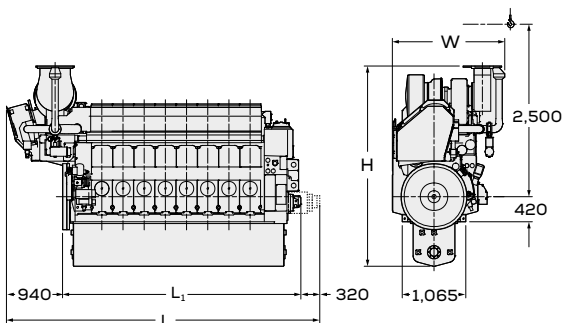
MCR	100%	85%
L21/31 CPP	192 g/kWh	190 g/kWh
L21/31 FPP	192 g/kWh	190 g/kWh

Specific lube oil consumption 0.4-0.8 g/kWh

Dimensions

Cyl. No.		6	7	8	9
L	mm	4,544	4,899	5,254	5,609
L₁	mm	3,284	3,639	3,994	4,349
H	mm	3,113	3,267	3,267	3,267
W	mm	1,695	1,695	1,820	1,820
Dry mass	t	16.0	17.5	19.0	20.5

Minimum centreline distance for twin engine installation: 2,400 mm



Bore: 175 mm, Stroke: 215 mm

Engine model	Rating def.	kW	rpm	SFOC at 100% MCR ¹⁾	Avg. Load
				Tier II/Tier III	
				g/kWh	
12V175D-MH	Heavy duty	1,740	1,800	192.5/193.0	85
12V175D-MM	Medium duty	1,860	1,800	191.0/192.0	80
12V175D-MM	Medium duty	1,920	1,800	193.0/194.0	75
12V175D-MM	Medium duty	2,040	1,800	191.0/191.5	70
12V175D-MM	Medium duty ²⁾	2,220	1,800	191.5/193.0	40
12V175D-MM	Medium duty	2,220	1,900	195.0/196.0	65
12V175D-MM	Medium duty ²⁾	2,400	1,800	193.0/193.0	40
12V175D-ML	Light duty	2,400	2,000	197.5/198.0	60
12V175D-ML	Light duty	2,580	2,000	202.0/ -	60

For multi-engine arrangement only. Specific fuel oil consumption according to ISO 3046-1:2002 based on a lower calorific value of 42,700 kJ/kg with attached lube oil, HT and LT cooling water pumps fulfilling IMO Tier II/Tier III emission limits with 5% tolerance.

¹⁾ Valid for IMO 2008, IMO 2028 tbd.

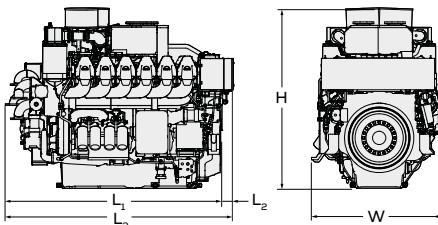
²⁾ For tug applications only

* Refer to page 113 for further information

Dimensions

Cyl. No.		12
L ₁	mm	2,734
L ₂	mm	167
L ₃	mm	2,901
H	mm	2,295
W	mm	1,661
Dry mass	t	8.80

Configuration shown: Everllence 12V175D-MM without seawater cooler



175D

16V

Methanol ready*

Tier II Tier III

Tier III with SCR

Bore: 175 mm, **Stroke:** 215 mm

Engine model	Rating def.	kW	rpm	SFOC at 100% MCR ¹⁾	Avg. load
				Tier II/Tier III	%
16V175D-MM	Medium duty	2,560	1,800	193.0/194.0	75
16V175D-MM	Medium duty	2,720	1,800	191.0/192.5	70
16V175D-MM	Medium duty ²⁾	2,960	1,800	192.5/194.0	40
16V175D-MM	Medium duty	2,960	1,900	196.0/197.0	65
16V175D-ML	Light duty	3,200	2,000	197.5/198.0	60

For multi-engine arrangement only. Specific fuel oil consumption according to ISO 3046-1:2002 based on a lower calorific value of 42,700 kJ/kg with attached lube oil, HT and LT cooling water pumps fulfilling IMO Tier II/Tier III emission limits with 5% tolerance.

¹⁾ Valid for IMO 2008, IMO 2028 tbd.

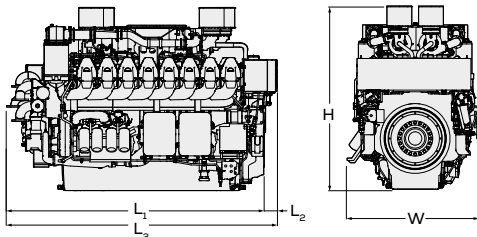
²⁾ For tug applications only

* Refer to page 113 for further information

Dimensions

Cyl. No.		16
L₁	mm	3,254
L₂	mm	167
L₃	mm	3,421
H	mm	2,316
W	mm	1,661
Dry mass	t	11.00

Configuration shown: Everlence 16V175D-MM without seawater cooler



Bore: 175 mm, Stroke: 215 mm

Engine model	Rating def.	kW	rpm	SFOC at 100% MCR ¹⁾	Avg. Load
				Tier II/Tier III	
20V175D-MM	Medium duty	3,400	1,800	g/kWh	70
20V175D-MM	Medium duty ²⁾	3,700	1,800	191.0/191.5	40
20V175D-MM	Medium duty	3,700	1,900	191.5/193.0	65
20V175D-ML	Light duty	4,000	2,000	194.0/195.0	60
20V175D-ML	Light duty	4,400	2,000	197.5/198.0	60
				199.0/-	60

For multi-engine arrangement only. Specific fuel oil consumption according to ISO 3046-1:2002 based on a lower calorific value of 42,700 kJ/kg with attached lube oil, HT and LT cooling water pumps fulfilling IMO Tier II/Tier III emission limits with 5% tolerance.

¹⁾ Valid for IMO 2008, IMO 2028 tbd.

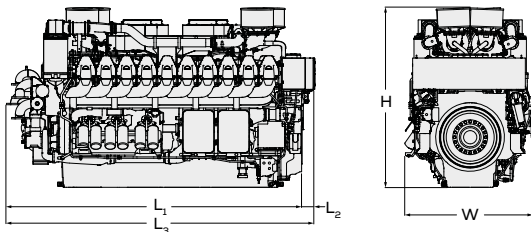
²⁾ For tug applications only

* Refer to page 113 for further information

Dimensions (preliminary)

Cyl. No.		20
L ₁	mm	3,774
L ₂	mm	167
L ₃	mm	3,941
H	mm	2,297
W	mm	1,647
Dry mass	t	13.20

Configuration shown: Everlence 20V175D-MM without seawater cooler





Everllence

four-stroke
marine mechanical
pump drive



Picture courtesy Dragages-Ports

V48/60CR

Tier II Tier III

Tier III with SCR

Bore: 480 mm, **Stroke:** 600 mm

Speed	r/min	514	500
mep	bar	23.2	23.9
		kW	kW
12V48/60CR		12,960	12,960
14V48/60CR		15,120	15,120
16V48/60CR		17,280	17,280

Specific fuel oil consumption (SFOC) at ISO conditions

MCR	100%	85%
V48/60CR	180.5 g/kWh	175.5 g/kWh

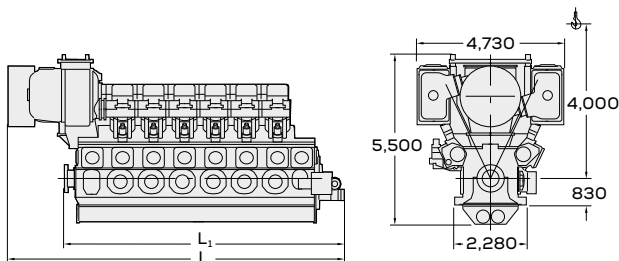
Specific lube oil consumption¹⁾: 0.6 g/kWh for nominal output 1,080 kW/cyl.

¹⁾ Related to 100% actual engine load

Dimensions

Cyl. No.		12	14	16
L	mm	10,790	11,790	13,140
L ₁	mm	9,088	10,088	11,088
Dry mass	t	189	213	240

Minimum centreline distance for twin engine installation: 4,800 mm



Tier III with SCR

Bore: 480 mm, **Stroke:** 600 mm

Speed	r/min	514	500
mep	bar	23.2	23.9
		kW	kW
6L48/60CR		6,480	6,480
7L48/60CR		7,560	7,560
8L48/60CR		8,640	8,640
9L48/60CR		9,720	9,720

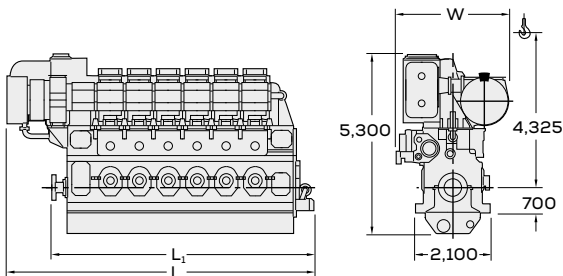
Specific fuel oil consumption (SFOC) at ISO conditions

MCR	100%	85%
L48/60CR	181.5 g/kWh	177.5 g/kWh

Specific lube oil consumption¹⁾: 0.6 g/kWh for nominal output 1,080 kW/cyl.¹⁾ Related to 100% actual engine load**Dimensions**

Cyl. No.		6	7	8	9
L	mm	8,760	9,580	10,540	11,360
L₁	mm	7,455	8,275	9,095	9,915
W	mm	3,165	3,165	3,280	3,280
Dry mass	t	106	119	135	148

Minimum centreline distance for twin engine installation: 3,200 mm



Bore: 320 mm, **Stroke:** 440 mm

Speed	r/min	750
mep	bar	24.9
		kW
12V32/44CR		6,600
14V32/44CR		7,700
16V32/44CR		8,800
18V32/44CR¹⁾		9,900

Specific fuel oil consumption (SFOC) at ISO conditions

MCR	100%	85%
V32/44CR	176.5 g/kWh	172.5 g/kWh
14V32/44CR	177.5 g/kWh	174.0 g/kWh

Specific lube oil consumption²⁾: 0.55 g/kWh for nominal output 550 kW/cyl.

* Please contact Everlence for further details

Dimensions

Cyl. No.		12	14	16	18
L	mm	7,195	7,970	8,600	9,230
L₁	mm	5,795	6,425	7,055	7,685
W	mm	3,100	3,100	3,100	3,100
H	mm	4,039	4,262	4,262	4,262
Dry mass³⁾	t	70	82	89	100

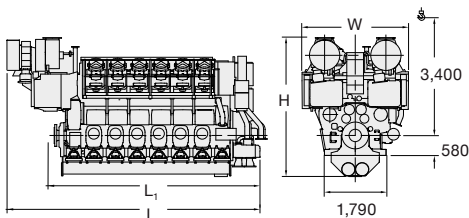
Minimum centreline distance for twin engine installation: 4,000 mm

¹⁾ 18V32/44CR available rigidly mounted only

²⁾ Related to 100% actual engine load

³⁾ Including built-on lube oil automatic filter, fuel oil filter and electronic equipment

Wet oil sump available upon request



Tier III with SCR

Bore: 320 mm, **Stroke:** 440 mm

Speed	r/min	750
mep	bar	24.9
		kW
6L32/44CR		3,300
7L32/44CR		3,850
8L32/44CR		4,400
9L32/44CR		4,950
10L32/44CR		5,500

Specific fuel oil consumption (SFOC) at ISO conditions

MCR	100%	85%
L32/44CR	176.5 g/kWh	172.5 g/kWh
7L32/44CR	177.5 g/kWh	174.0 g/kWh

Specific lube oil consumption¹⁾: 0.55 g/kWh for nominal output 550 kW/cyl.

* Please contact Everlence for further details

Dimensions

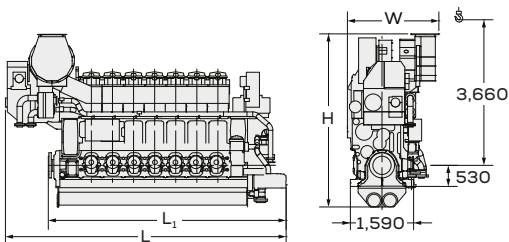
Cyl. No.		6	7	8	9	10
L	mm	6,312	6,924	7,454	7,984	8,603
L ₁	mm	5,265	5,877	6,407	6,937	7,556
W	mm	2,174	2,359	2,359	2,359	2,359
H	mm	4,163	4,369	4,369	4,369	4,369
Dry mass ²⁾	t	42.5	48.5	53.5	58.0	63.5

Minimum centreline distance for twin engine installation: 2,500 mm

¹⁾ Related to 100% actual engine load

²⁾ Including built-on lube oil automatic filter, fuel oil filter and electronic equipment

Wet oil sump available upon request



V32/40CD

NR Turbocharging variant

Tier II Tier III

Tier III with SCR

Bore: 320 mm, **Stroke:** 400 mm

Speed	r/min	750
mep	bar	22.4
		kW
12V32/40CD		5,400
14V32/40CD		6,300
16V32/40CD		7,200
18V32/40CD		8,100

Specific fuel oil consumption (SFOC) at ISO conditions

MCR	100%	75%
V32/40	188.0 g/kWh	190.3 g/kWh

Specific lube oil consumption¹⁾: 0.56 g/kWh for nominal output 450 kW/cyl.

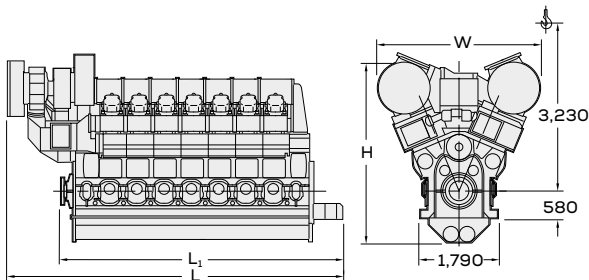
Dimensions

Cyl. No.		12	14	16	18
L	mm	6,915	7,545	8,365	8,995
L₁	mm	5,890	6,520	7,150	7,780
W	mm	3,140	3,140	3,730	3,730
H	mm	4,100	4,100	4,420	4,420
Dry mass	t	61	68	77	85

Minimum centreline distance for twin engine installation: 4,000 mm

V32/40 as marine main engine to be applied for multi-engine plants only

¹⁾ Related to 100% actual engine load



Bore: 320 mm, **Stroke:** 400 mm

Speed	r/min	750
mep	bar	22.4
		kW
6L32/40CD		2,700
7L32/40CD		3,150
8L32/40CD		3,600
9L32/40CD		4,050

Specific fuel oil consumption (SFOC) at ISO conditions

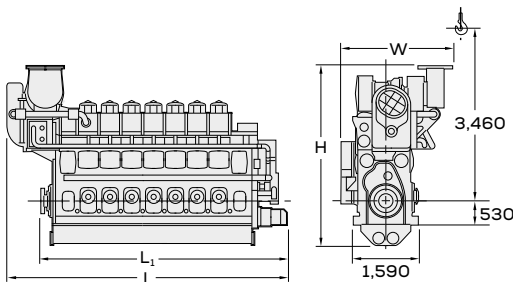
MCR	100%	75%
L32/40	190 g/kWh	193.3 g/kWh

Specific lube oil consumption¹⁾: 0.56 g/kWh for nominal output 450 kW/cyl.**Dimensions**

Cyl. No.		6	7	8	9
L	mm	5,940	6,470	7,000	7,530
L ₁	mm	5,140	5,670	6,195	6,725
W	mm	2,630	2,630	2,715	2,715
H	mm	4,010	4,010	4,490	4,490
Dry mass	t	38	42	47	51

Minimum centreline distance for twin engine installation: 2,500 mm. Please contact Everlence for the precise information about the centreline distance for two engines with the same cylinder number standing near each other.

¹⁾ Related to 100% actual engine load



V32/40CD

TCF Turbocharging variant*

Tier II Tier III

Tier III with SCR

Bore: 320 mm, **Stroke:** 400 mm

Speed	r/min	750
mep	bar	22.4
		kW
12V32/40CD		5,400
14V32/40CD		6,300
16V32/40CD		7,200
18V32/40CD		8,100

Specific fuel oil consumption (SFOC) at ISO conditions

MCR	100%	75%
V32/40	190.0 g/kWh	187.0 g/kWh

Specific lube oil consumption¹⁾: 0.56 g/kWh for nominal output 450 kW/cyl.

Dimensions

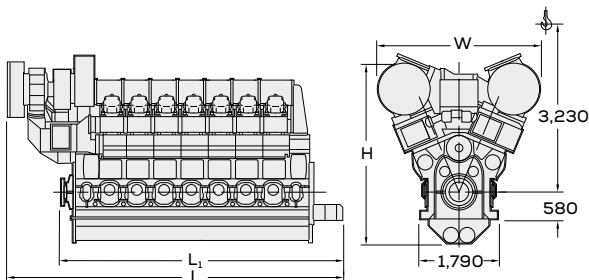
Cyl. No.		12	14	16	18
L	mm	6,974	7,604	8,228	8,858
L₁	mm	5,890	6,520	7,150	7,780
W	mm	3,255	3,255	3,255	3,255
H	mm	4,181	4,181	4,181	4,181
Dry mass	t	62	69	76	84

Minimum centreline distance for twin engine installation: 4,000 mm

V32/40 as marine main engine to be applied for multi-engine plants only

¹⁾ Related to 100% actual engine load

* Release in October 2025, compliant with upcoming IMO rules 2027



Bore: 320 mm, **Stroke:** 400 mm

Speed	r/min	750
mep	bar	22.4
		kW
6L32/40CD		2,700
7L32/40CD		3,150
8L32/40CD		3,600
9L32/40CD		4,050

Specific fuel oil consumption (SFOC) at ISO conditions

MCR	100%	75%
L32/40	192.0 g/kWh	189.5 g/kWh

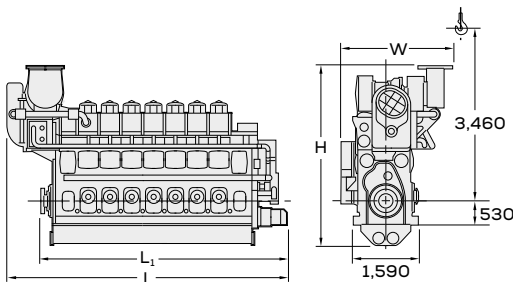
Specific lube oil consumption¹⁾: 0.56 g/kWh for nominal output 450 kW/cyl.**Dimensions**

Cyl. No.		6	7	8	9
L	mm	5,940	6,470	7,000	7,530
L ₁	mm	5,140	5,670	6,195	6,725
W	mm	2,630	2,630	2,630	2,630
H	mm	4,010	4,010	4,010	4,010
Dry mass	t	38.5	42.5	47	51

Minimum centreline distance for twin engine installation: 2,500 mm. Please contact Everlence for the precise information about the centreline distance for two engines with the same cylinder number standing near each other.

¹⁾ Related to 100% actual engine load

* Release in October 2025, compliant with upcoming IMO rules 2027





Everllence
four-stroke
marine GenSets



Everllence four-stroke marine GenSets – all emission requirements

Besides focus on power density and fuel economy, Everllence is committed to a steady reduction of the environmental impact of our engines.

IMO Tier II

Everllence has decreased NO_x emissions significantly by applying well-proven methods that ensure a cleaner and more efficient combustion process. Our four-stroke propulsion engines are IMO Tier II compliant by internal engine measures alone.

IMO Tier III

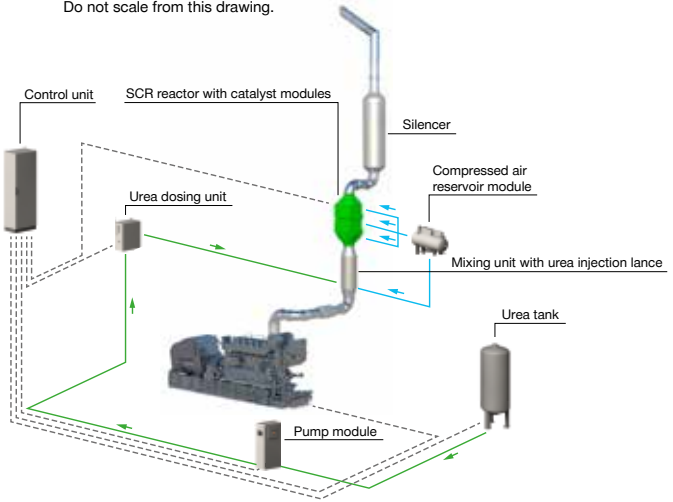
For operation in emission control areas (ECA), Everllence has developed a comprehensive range of selective catalytic reduction (SCR) systems that provides a tremendous reduction in NO_x levels surpassing IMO Tier III requirements.

The Everllence standard SCR system is available in fourteen different sizes covering our entire portfolio of four-stroke engines. Customised SCR systems are offered on demand.

Everllence has developed a complete range of SCR systems that works perfectly with our engines for maximum system efficiency. The intelligent exhaust gas temperature control enables significant savings in fuel consumption as compared to third party supplier systems.

- Control signal
- Urea solution
- Air

Do not scale from this drawing.



Everlence GenSet plant with complete SCR system

100% MCR PTO-solutions for L21/31 Mk 2, L27/38 and L28/32DF GenSets

Optimised for both new and existing ship designs.



PTO on alternator – external pump



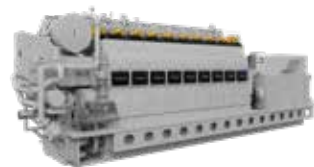
Pump on alternator – common base frame



PTO on front end – external pump



Pump on front end – common base frame



PTO on front end – external pump

Fuel oil saving for small bore GenSet (part load optimised)

GenSets can be delivered with improved fuel oil consumption at low load and part load. The penalty will be higher SFOC at high load. The part-load optimised engine complies with the IMO Tier II limit.

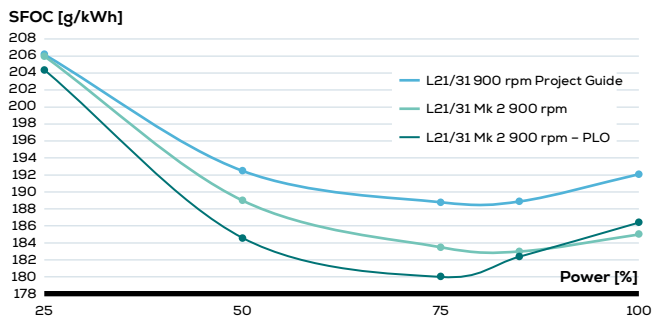
The new tuning method, referred to as part-load optimisation, optimises the engine performance at approx. 60-65% MCR, as this is often the load range in which the GenSet is operating, but it can also be customised to other specific operating conditions.

With the new development of L21/31 Mk 2 together with part-load optimisation techniques, fuel oil savings of up to nearly 12 g/kWh have been obtained, depending on the engine type/model and load point.

Traditionally, GenSets are optimised at 80-85% MCR due to limitations in turbocharger matching, but this is also the load point where power management will engage additional GenSets when more power is needed.

With part-load optimisation, there is a fuel oil penalty when the load exceeds approx. 80% MCR, but this has no practical consequence as the GenSet rarely exceeds 85% MCR.

This is illustrated in the figure below. For further information, please contact Everllence.



Based on Project Guide figures for IMO Tier II engines – 60Hz: ISO reference condition, HFO/MDO, without pumps, tolerance +5% (not included) August 2020.

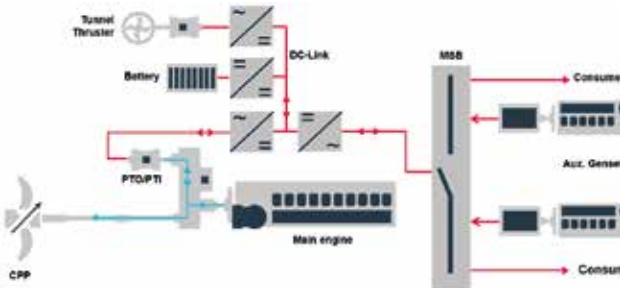
Electric and hybrid propulsion trains (HyProp ECO)

Everllence offers a full range of electric and hybrid power and propulsion plants. Our solutions are designed and optimised to meet the highest efficiencies of an integrated system covering the complete operational profile of the vessel. Our propulsion systems provide a well-balanced and tailor-made solution with emphasis on increased fuel efficiency, flexibility and performance.

Our comprehensive propulsion packages include the complete array of required components from GenSets to propulsors, including switchboards, variable speed drives, propulsion motors and controls. They ensure the optimal technical and economical solution while minimising operational costs.

The HyProp ECO introduces a system to control the power delivered by or to the shaft machine. It overcomes the constraint on constant speed propulsion machinery by utilising variable speed drives at the shaft generator/motor.

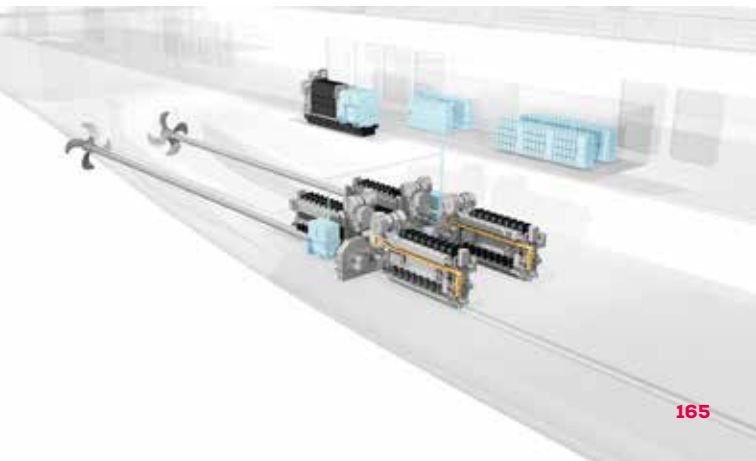
Our innovative HyProp Battery system also integrates batteries, which enable an optimised loading of our engines, and provide an electric spinning reserve, dynamic support of the propellers as well as peak shaving.



HyProp ECO Battery system with integrated energy storage system

HyProp ECO

Hybrid
propulsion
system

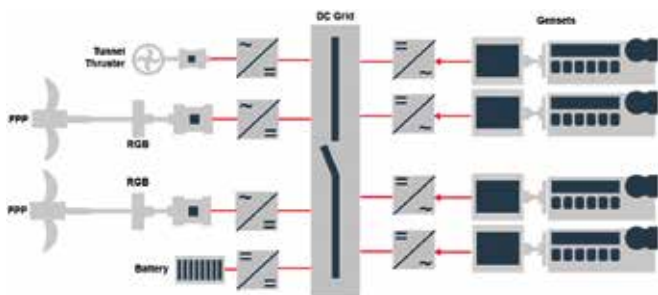


Energy-saving electric propulsion (EPROX-DC)

Recent developments in electric propulsion have resulted in electric systems where engines can operate at variable speed. The “classic” constant speed operation of GenSets is no longer a constraint. Utilising an enlarged engine operation map with a speed range of 60% to 100% paves the way to a high potential in fuel oil savings. Each speed set point of the engines can be adjusted independently in order to achieve a minimum fuel oil consumption according to the system load. The electric system using DC distribution enables a decoupled operation of the engines, propulsion drives, and other consumers.

Another major advantage is the possible integration of energy storage systems, like batteries. They can reduce the transient loads on the engines and improve the dynamic response of the propulsion system. Fast load application is removed from the engines and load peaks are shaved. Also, emission free propulsion can be realised when running on the batteries. In addition, the energy storage system allows a constant and high loading of the engines, provides spinning reserve and will have a positive effect on engine maintenance.

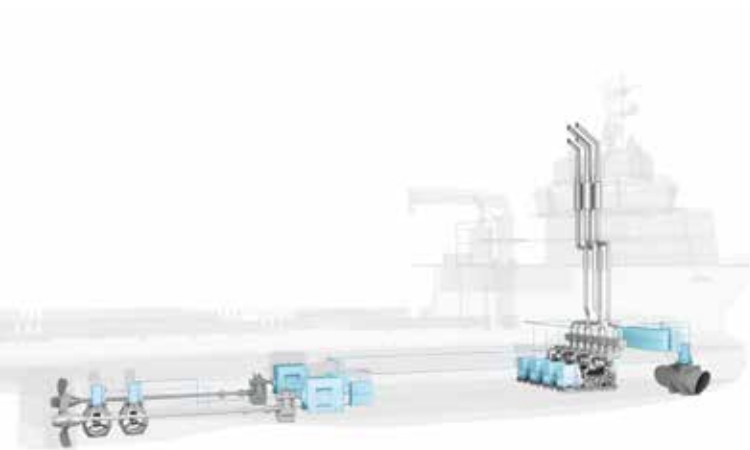
Everlence offers this advanced package solution in close cooperation with our partner Aspin Kemp & Associates.



EPROX-DC energy-saving electric propulsion plant

EPROX-DC

propulsion
solution



EPROX-DC propulsion solution on anchor handling tug supply vessel

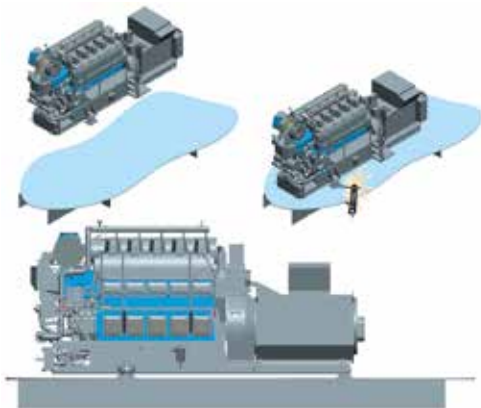
L23/30H monocoque GenSet – continued development

The monocoque GenSet includes several updates of the tried and tested L23/30H engine, which are focused on weight reduction, vibration optimisation and simplified installation.

The most significant update is that the alternator is now a load-bearing component, with a 'top brace' connection to the engine. This enables up to 63% weight reduction of the base frame, which again results in weight reduction of up to 13% of the GenSet and a lower vibration level.

The three and four point 'deck-level' supports significantly simplify the GenSet installation process. This design is installed on a flat deck, which is a major reduction of the vessels foundation structure. Furthermore, applying only three conicals makes the GenSets self-leveling.

The monocoque GenSet application is available for all variants of the L23/30H engine.



Monocoque GenSet

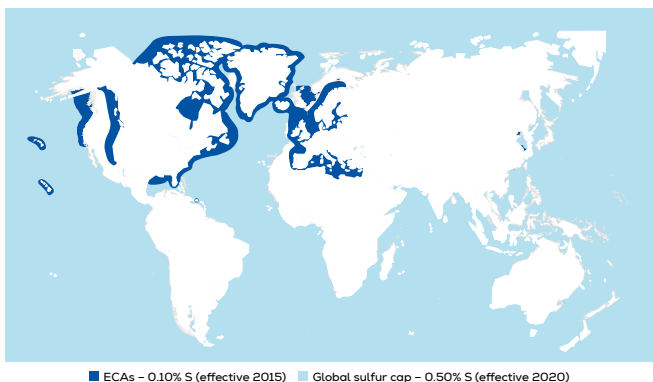
Marine fuels after 2020 (in accordance with ISO 8217)

From 1 January 2020, the global 0.5% limit for sulphur content in marine fuels enters into force. To ensure compliant operation, one of following methods must be used:

- HFO GenSet running on a compliant low-sulphur fuel oil (LSFO) in accordance with ISO 8217.
- Global: max. 0.5% sulphur (VLSFO).
- ECA: max. 0.1% sulphur (ULSFO).
- HFO GenSet running on a high-sulphur fuel oil (HSFO) in accordance with ISO 8217 and with a SO_x scrubber for exhaust gas cleaning.
- DF GenSet running on LNG with a compliant pilot distillate fuel.

Everllence GenSets have for decades been running on low-sulphur and low-viscosity fuels on small power plants on Greenland. The many years of experience have been transferred to the standard marine GenSet. To be prepared for operation on compliant fuels after 2020, the HFO GenSets will be updated with optimised fuel pumps and inlet/exhaust valve materials for low-viscosity fuels.

It is important to note that paraffinic and aromatic fuels are incompatible and should not be mixed in the same fuel tank. Notice the issued Service Letters, PrimeServ Customer Information and follow Everllence guidelines.



Methanol

Everllence is developing methanol technology paths for various engine types. Green methanol is an important fuel option to decarbonise the operation of propulsion and auxiliary GenSet equipment. Ensuring the feasibility of later retrofits can be crucial to avoid the risk of stranded assets by enabling the concurrent adaption of ships to expected regulations and fuel supply.

Products marked with **Methanol ready*** are intended to be available in future to be sold as methanol capable or will be intended to be available for retrofit to methanol operation under specific boundary conditions.

Please contact Everllence for further details on the engines marked as methanol ready, the certifying class societies, and the currently expected availability of methanol ready for the individually marked engines.



Everllence

Power through uncertainty

**Reliable four-stroke
small-bore engines for
the world's merchant fleet**

Regulatory and fuel-related uncertainty can make it difficult to plan investments in propulsion and GenSets. With our small-bore engines, you are prepared for whatever lies ahead.

Everllence has built its position as the leading designer and developer of small-bore engines for the world's merchant marine fleet on the basis of high reliability and efficiency.

www.everllence.com/small-bore

Everllence

four-stroke marine GenSets programme

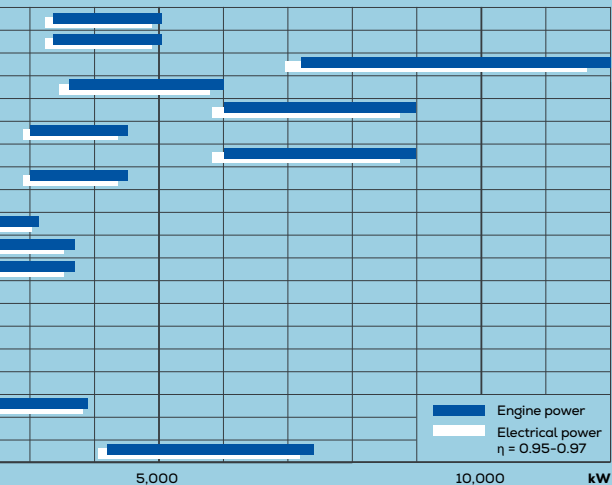
r/min	Engine type			
720-750	L35/44CD			
720-750	L35/44DF CD			
720-750	V32/44CR			
720-750	L32/44CR			
720-750	V32/40CD - NR Turbocharging variant			
720-750	L32/40CD - NR Turbocharging variant			
720-750	V32/40CD - TCF Turbocharging variant			
720-750	L32/40CD - TCF Turbocharging variant			
720-750	L28/32DF			
720-750	L27/38 L27/38 (MDO/MGO)			
720-900	L27/38 Mk 2			
720-900	L27/38DF-M			
720-900	L23/30H Mk 3			
720-900	L23/30H Mk 2			
720-900	L23/30DF			
900-1,000	L21/31 Mk 2			
900-1,000	L21/31DF-M			
1,080-1,800	175D			
1,300	S.E.M.T. Pielstick PA4 SM & SMDS			
900-1,000	S.E.M.T. Pielstick PA6B			

0 1,000

GenSets

GenSets can be applied as auxiliary GenSets, GenSets for electric propulsion or for offshore applications.

Project specific demands can be clarified at an early project stage.



Tier III GenSets

Four-stroke GenSets are Tier III compatible when a downstream SCR is added to clean the exhaust gas on a Tier II engine. The additional SCR will only have an impact on SFOC if the backpressure is increased.

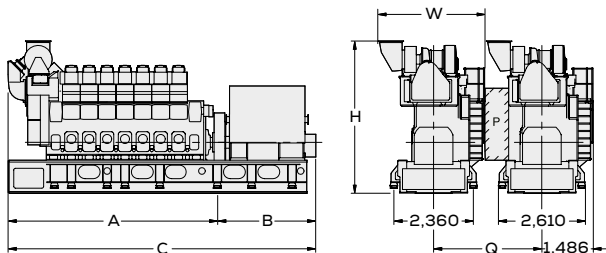
Bore: 350 mm, Stroke: 440 mm

Speed	r/min	750		720	
Frequency	Hz	50		60	
		Eng. kW	Gen. kW ¹⁾	Eng. kW	Gen. kW ¹⁾
6L35/44CD		3,360	3,242	3,360	3,242
7L35/44CD		3,920	3,783	3,920	3,783
8L35/44CD		4,480	4,323	4,480	4,323
9L35/44CD		5,040	4,864	5,040	4,864

* Refer to page 170 for further information

Dimensions²⁾

Cyl. No.		6	7	8	9
A	mm	6,270	6,900	7,480	8,110
B ³⁾	mm	3,900	4,100	4,400	4,600
C ³⁾	mm	10,170	11,000	11,880	12,710
W	mm	2,958	3,108	3,108	3,108
H	mm	4,631	4,867	4,867	4,867
Dry mass ³⁾	t	76	84	91	96

¹⁾ Based on nominal generator efficiencies of 96.5%²⁾ Dimensions are not finally fixed³⁾ Depending on alternator applied

P Free passage between the engines, width 600 mm and height 2,000 mm

Q Minimum distance between centre of engines: ~3,400 mm (with gallery)

Tier III with SCR

Bore: 350 mm, **Stroke:** 440 mm

Speed	r/min	750		720	
		Eng. kW	Gen. kW ¹⁾	Eng. kW	Gen. kW ¹⁾
6L35/44DF CD		3,360	3,242	3,360	3,242
7L35/44DF CD		3,920	3,783	3,920	3,783
8L35/44DF CD		4,480	4,323	4,480	4,323
9L35/44DF CD		5,040	4,864	5,040	4,864

* Refer to page 170 for further information

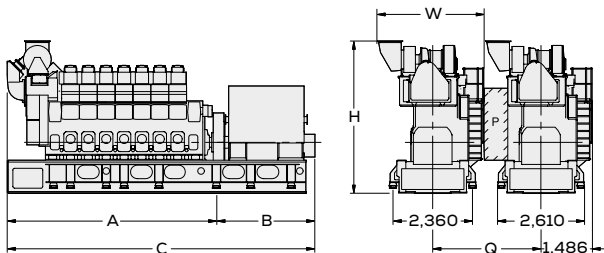
Dimensions²⁾

Cyl. No.		6	7	8	9
		A	mm	6,270	6,900
B³⁾	mm	3,900	4,100	4,400	4,600
C³⁾	mm	10,170	11,000	11,880	12,710
W	mm	2,958	3,108	3,108	3,108
H	mm	4,631	4,867	4,867	4,867
Dry mass³⁾	t	76	84	91	96

¹⁾ Based on nominal generator efficiencies of 96.5%

²⁾ Dimensions are not finally fixed

³⁾ Depending on alternator applied



P Free passage between the engines, width 600 mm and height 2,000 mm

Q Minimum distance between centre of engines: ~3,400 mm (with gallery)

Bore: 320 mm, **Stroke:** 440 mm

Speed	r/min	750		720	
	Hz	50		60	
Frequency	Hz	Eng. kW	Gen. kW ¹⁾	Eng. kW	Gen. kW ¹⁾
12V32/44CR		7,200	6,984	7,200	6,984
14V32/44CR²⁾		8,120	7,876	8,120	7,876
16V32/44CR		9,600	9,312	9,600	9,312
18V32/44CR³⁾		10,800	10,476	10,800	10,476
20V32/44CR		12,000	11,640	12,000	11,640

* Refer to page 170 for further information

Dimensions

Cyl. No.		12	14	16	18	20
		A	mm	7,075	7,705	8,335
B	mm	4,301	4,501	4,346	4,346	4,546
C	mm	11,376	12,206	12,681	13,311	14,141
H	mm	4,771	5,014	5,014	5,014	5,014
Dry mass	t	117	144	146	163	174

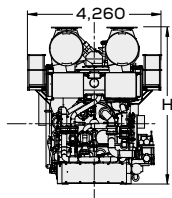
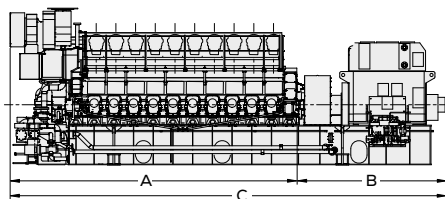
¹⁾ Based on nominal generator efficiencies of 97%

²⁾ 580 kW/cyl.

³⁾ 18V32/44CR available rigidly mounted only

Frame Auxiliary Box (FAB) available upon request

Available for Electric Propulsion application and as Auxiliary GenSet



Tier III with SCR

Bore: 320 mm, **Stroke:** 440 mm

Speed	r/min	750		720	
		Eng. kW	Gen. kW ¹⁾	Eng. kW	Gen. kW ¹⁾
6L32/44CR		3,600	3,474	3,600	3,474
7L32/44CR²⁾		4,060	3,918	4,060	3,918
8L32/44CR		4,800	4,632	4,800	4,632
9L32/44CR		5,400	5,211	5,400	5,211
10L32/44CR		6,000	5,790	6,000	5,790

* Refer to page 170 for further information

Dimensions

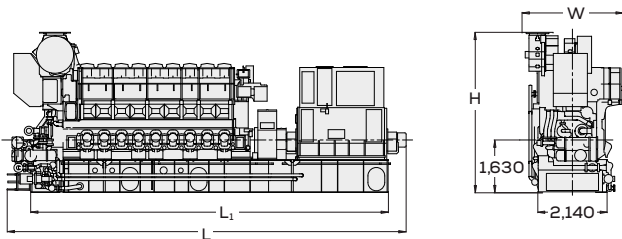
Cyl. No.		6	7	8	9	10
L	mm	10,386	10,896	11,385	11,871	12,601
L₁	mm	9,331	9,861	10,231	10,761	11,491
W	mm	2,831	3,018	3,018	3,018	3,018
H	mm	4,768	4,955	4,955	4,955	4,955
Dry mass	t	74	82	88	95	103

¹⁾ Based on nominal generator efficiencies of 96.5%

²⁾ 580 kW/cyl.

Frame Auxiliary Box (FAB) available upon request

Available for Electric Propulsion application and as Auxiliary GenSet



Free passage between the engines, width 600 mm and height 2,000 mm
 Minimum distance between centre of engines: ~2,835 mm (without gallery)
 ~3,220 mm (with gallery)

V32/40CD

NR Turbocharging variant

Tier II Tier III

Tier III with SCR

Bore: 320 mm, **Stroke:** 400 mm

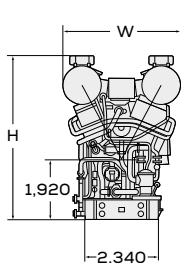
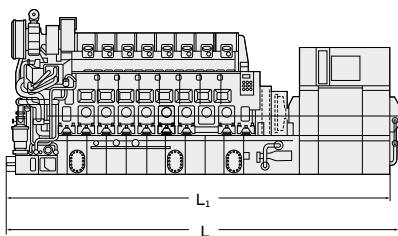
Speed	r/min	750		720	
Frequency	Hz	50		60	
		Eng. kW	Gen. kW¹⁾	Eng. kW	Gen. kW¹⁾
12V32/40CD		6,000	5,820	6,000	5,820
14V32/40CD		7,000	6,790	7,000	6,790
16V32/40CD		8,000	7,760	8,000	7,760
18V32/40CD		9,000	8,730	9,000	8,730

Dimensions

Cyl. No.		12	14	16	18
L	mm	11,045	11,710	12,555	13,185
L₁	mm	10,450	11,115	11,950	12,580
W	mm	3,365	3,365	3,730	3,730
H	mm	4,850	4,850	5,245	5,245
Dry mass	t	101	113	126	138

¹⁾ Based on nominal generator efficiencies of 97%

Available for Electric Propulsion application and as Auxiliary GenSet



Bore: 320 mm, Stroke: 400 mm

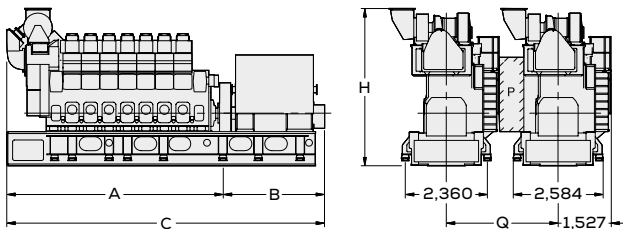
Speed	r/min	750		720	
Frequency	Hz	50		60	
		Eng. kW	Gen. kW ¹⁾	Eng. kW	Gen. kW ¹⁾
6L32/40CD		3,000	2,895	3,000	2,895
7L32/40CD		3,500	3,378	3,500	3,378
8L32/40CD		4,000	3,860	4,000	3,860
9L32/40CD		4,500	4,343	4,500	4,343

Dimensions

Cyl. No.		6	7	8	9
A	mm	6,340	6,870	7,400	7,930
B	mm	3,415	3,415	3,635	3,635
C	mm	9,755	10,285	11,035	11,565
H	mm	4,622	4,622	4,840	4,840
Dry mass	t	70.5	74.5	82.0	86.0

¹⁾ Based on nominal generator efficiencies of 96.5%

Available for Electric Propulsion application and as Auxiliary GenSet



P Free passage between the engines, width 600 mm and height 2,000 mm

Q Minimum distance between centre of engines: ~2,835 mm (without gallery)
~3,220 mm (with gallery)

V32/40CD

TCF Turbocharging variant*

Tier II Tier III

Tier III with SCR

Bore: 320 mm, **Stroke:** 400 mm

Speed	r/min	750		720	
Frequency	Hz	50		60	
		Eng. kW	Gen. kW ¹⁾	Eng. kW	Gen. kW ¹⁾
12V32/40CD		6,000	5,820	6,000	5,820
14V32/40CD		7,000	6,790	7,000	6,790
16V32/40CD		8,000	7,760	8,000	7,760
18V32/40CD		9,000	8,730	9,000	8,730

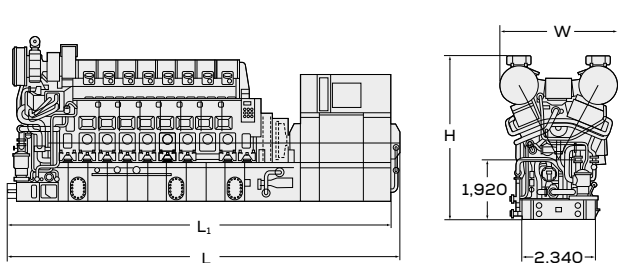
Dimensions

Cyl. No.		12	14	16	18
L	mm	11,045	11,710	12,555	13,185
L₁	mm	10,450	11,115	11,950	12,580
W	mm	3,365	3,365	3,730	3,730
H	mm	4,931	4,931	4,931	4,931
Dry mass	t	102	114	125	137

¹⁾ Based on nominal generator efficiencies of 97%

Available for Electric Propulsion application and as Auxiliary GenSet

* Release in October 2025, compliant with upcoming IMO rules 2027



Bore: 320 mm, Stroke: 400 mm

Speed	r/min	750		720	
Frequency	Hz	50		60	
		Eng. kW	Gen. kW ¹⁾	Eng. kW	Gen. kW ¹⁾
6L32/40CD		3,000	2,895	3,000	2,895
7L32/40CD		3,500	3,378	3,500	3,378
8L32/40CD		4,000	3,860	4,000	3,860
9L32/40CD		4,500	4,343	4,500	4,343

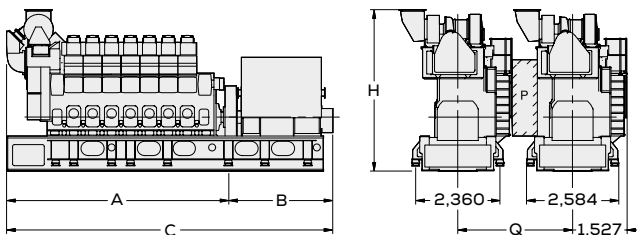
Dimensions

Cyl. No.		6	7	8	9
A	mm	6,340	6,870	7,400	7,930
B	mm	3,415	3,415	3,635	3,635
C	mm	9,755	10,285	11,035	11,565
H	mm	4,622	4,622	4,622	4,622
Dry mass	t	71	75	81.5	85.5

¹⁾ Based on nominal generator efficiencies of 96.5%

Available for Electric Propulsion application and as Auxiliary GenSet

* Release in October 2025, compliant with upcoming IMO rules 2027



P Free passage between the engines, width 600 mm and height 2,000 mm

Q Minimum distance between centre of engines: ~2,835 mm (without gallery)
~3,220 mm (with gallery)

Bore: 280 mm, Stroke: 320 mm

Speed	r/min	750		720	
	Hz	50		60	
Frequency	Hz	Eng. kW	Gen. kW ¹⁾	Eng. kW	Gen. kW ¹⁾
		5L28/32DF		1,050	1,000
6L28/32DF		1,260	1,200	1,260	1,200
7L28/32DF		1,470	1,400	1,470	1,400
8L28/32DF		1,680	1,600	1,680	1,600
9L28/32DF		1,890	1,800	1,890	1,800

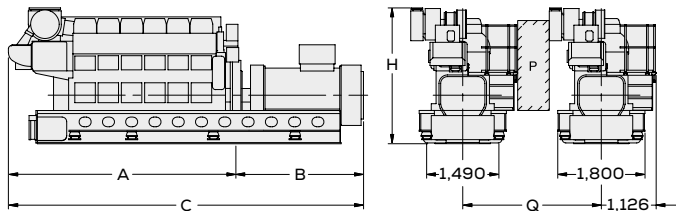
¹⁾ Based on nominal generator efficiencies of 95%

Dimensions (1 bearing)

Cyl. No.	r/min	5	5	6	6	7	7	8	8	9	9
		750	720	750	720	750	720	750	720	750	720
A	mm	4,321	4,321	4,801	4,801	5,281	5,281	5,761	5,761	6,241	6,241
B	mm	2,277	2,277	2,337	2,277	2,312	2,312	2,392	2,312	2,392	2,392
C	mm	6,598	6,598	7,138	7,078	7,593	7,593	8,153	8,073	8,633	8,633
H	mm	2,835	2,835	3,009	3,009	3,309	3,309	3,309	3,309	3,309	3,309
Dry mass	t	31.3	32.6	36.3	36.3	39.4	39.4	40.6	40.7	47.1	47.1

Dimensions (2 bearings)

Cyl. No.	r/min	5	5	6	6	7	7	8	8	9	9
		750	720	750	720	750	720	750	720	750	720
A	mm	4,531	4,531	5,011	5,011	5,491	5,491	5,971	5,971	6,451	6,451
B	mm	2,528	2,528	2,588	2,528	2,577	2,577	2,657	2,577	2,657	2,657
C	mm	7,059	7,059	7,599	7,539	8,068	8,068	8,628	8,548	9,108	9,108
H	mm	2,835	2,835	3,009	3,009	3,309	3,309	3,309	3,309	3,309	3,309
Dry mass	t	31.3	32.6	36.3	36.3	39.4	39.4	40.6	40.7	47.1	47.1



P Free passage between the engines, width 600 mm and height 2,000 mm

Q Minimum distance between centre of engines: ~2,655 mm (without gallery)
~2,850 mm (with gallery)

Tier III with SCR

Bore: 270 mm, Stroke: 380 mm

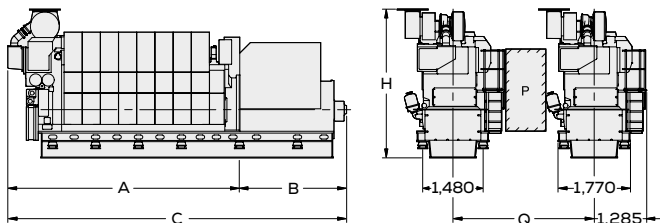
Speed	r/min	750/720		750/720 (MDO ¹⁾ /MGO)	
Frequency	Hz	50/60		50/60	
		Eng. kW	Gen. kW ²⁾	Eng. kW	Gen. kW ²⁾
5L27/38		1,600/1,500	1,535/1,440	-	-
6L27/38		1,980	1,900	2,100	2,015
7L27/38		2,310	2,220	2,450	2,355
8L27/38		2,640	2,535	2,800	2,690
9L27/38		2,970	2,850	3,150	3,025

Dimensions

Cyl. No.		5	6	7	8	9
A	mm	4,346	4,791	5,236	5,681	6,126
B	mm	2,486	2,766	2,766	2,986	2,986
C	mm	6,832	7,557	8,002	8,667	9,112
H	mm	3,712	3,712	3,899	3,899	3,899
Dry mass	t	40.0	44.5	50.4	58.2	64.7

¹⁾ MDO viscosity must not exceed $6 \text{ mm}^2/\text{s} = \text{cSt}$ @ 40°C

²⁾ Based on nominal generator efficiencies of 96%



P Free passage between the engines, width 600 mm and height 2,000 mm

Q Minimum distance between centre of engines: ~2,900 mm (without gallery)
~3,100 mm (with gallery).

Bore: 270 mm, Stroke: 380 mm

Speed	r/min	750/720		900	
		50/60		60	
Frequency	Hz	Eng. kW	Gen. kW ¹⁾	Eng. kW	Gen. kW ¹⁾
6L27/38 Mk 2		1,980	1,900	2,460	2,360
7L27/38 Mk 2		2,310	2,220	2,870	2,755
8L27/38 Mk 2		2,640	2,535	3,280	3,150
9L27/38 Mk 2		2,970	2,850	3,690	3,540

* Refer to page 170 for further information

¹⁾ Based on nominal generator efficiencies of 96%

Dimensions (6-7 cylinders), (1 bearing)

Cyl. No.		6		7	
		750/720	900	750/720	900
Speed	r/min				
A	mm	4,860	4,860	5,305	5,305
B	mm	2,446	2,818	2,818	2,888
C	mm	7,306	7,678	8,123	8,193
H	mm	3,712	3,712	3,899	3,899
Dry mass	t	43.5	43.5	49.5	49.5

Dimensions (8-9 cylinders), (1 bearing)

Cyl. No.		8		9	
		750/720	900	750/720	900
Speed	r/min				
A	mm	5,750	5,750	6,195	6,195
B	mm	2,818/2,888	2,944	2,818/3,018	3,139
C	mm	8,568/8,638	8,694	9,013/9,213	9,334
H	mm	3,899	3,899	3,899	3,899
Dry mass	t	57.0	57.0	63.5	63.5

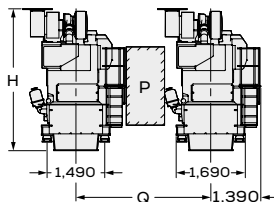
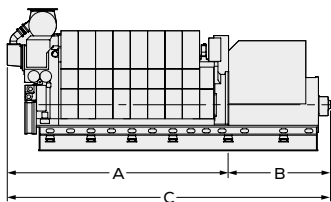
Dimensions (6-7 cylinders), (2 bearings)

Cyl. No.		6		7	
		750/720	900	750/720	900
Speed	r/min				
A	mm	4,923	4,923	5,368	5,368
B	mm	2,659	3,014	3,014	3,084
C	mm	7,582	7,937	8,382	8,452
H	mm	3,712	3,712	3,899	3,899
Dry mass	t	43.5	43.5	49.5	49.5

Tier III with SCR

Dimensions (8-9 cylinders), (2 bearings)

Cyl. No.		8		9	
Speed	r/min	750/720	900	750/720	900
A	mm	5,813	5,813	6,258	6,258
B	mm	3,014/3,084	3,182	3,014/3,214	3,362
C	mm	8,827/8,897	8,995	9,272/9,472	9,620
H	mm	3,899	3,899	3,899	3,899
Dry mass	t	57.0	57.0	63.5	63.5



- P Free passage between the engines, width 600 mm and height 2,000 mm
 Q Minimum distance between centre of engines: ~2,900 mm (without gallery)
 ~3,100 mm (with gallery).

Bore: 270 mm, Stroke: 380 mm

Speed	r/min	750/720		900	
		Eng. kW	Gen. kW ¹⁾	Eng. kW	Gen. kW ¹⁾
6L27/38DF-M		1,980	1,900	2,460	2,360
7L27/38DF-M		2,310	2,220	2,870	2,755
8L27/38DF-M		2,640	2,535	3,280	3,150
9L27/38DF-M		2,970	2,850	3,690	3,540

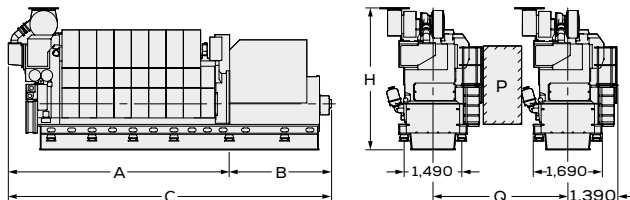
* Available upon request

Dimensions (6-7 cylinders)

Cyl. No.	Speed	r/min	6		7	
			750/720	900	750/720	900
A	mm		4,859/4,859	4,859	5,304/5,304	5,304
B	mm		2,373/2,453	2,811	2,373/2,811	2,811
C	mm		7,232/7,312	7,670	7,677/8,115	8,115
H	mm		4,242/4,242	4,242	4,429/4,429	4,429
Dry mass	t		43.5/43.5	43.5	49.3/49.3	49.3

Dimensions (8-9 cylinders)

Cyl. No.	Speed	r/min	8		9	
			750/720	900	750/720	900
A	mm		5,749/5,749	5,749	6,194/6,194	6,194
B	mm		2,811/2,811	2,933	2,811/2,881	3,128
C	mm		8,560/8,560	8,682	9,005/9,075	9,322
H	mm		4,429/4,429	4,429	4,429/4,429	4,429
Dry mass	t		57.0/57.0	57.0	63.5/63.5	63.5

¹⁾ Based on nominal generator efficiencies of 96%

P Free passage between the engines, width 600 mm and height 2,000 mm

Q Minimum distance between centre of engines: ~2,900 mm (without gallery)
~3,100 mm (with gallery).

Tier III with SCR

Bore: 225 mm, Stroke: 300 mm

Speed	r/min	750		720		900	
		Eng. kW	Gen. kW ¹⁾	Eng. kW	Gen. kW ¹⁾	Eng. kW	Gen. kW ¹⁾
Frequency	Hz	50		60		60	
		Eng. kW	Gen. kW ¹⁾	Eng. kW	Gen. kW ¹⁾	Eng. kW	Gen. kW ¹⁾
5L23/30H Mk 3 ECR		-	-	500-600	475-570	-	-
5L23/30H Mk 3		885	840	850	810	-	-
6L23/30H Mk 3		1,062	1,010	1,020	970	1,200	1,140
7L23/30H Mk 3		1,239	1,180	1,190	1,130	1,400	1,330
8L23/30H Mk 3		1,416	1,345	1,360	1,290	1,600	1,520
9L23/30H Mk 3		1,593	1,515	1,530	1,455	1,800	1,710

Dimensions (5-7 cylinders)

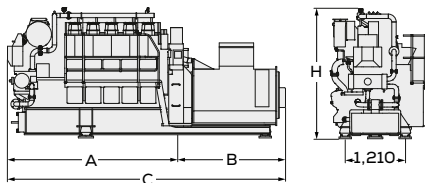
Cyl. No.	r/min	5		6		7	
		720 ECR	750/720	750/720	900	750/720	900
A	mm	3,379	3,379	3,749	3,749	4,119	4,276
B	mm	2,202	2,202	2,252	2,252	2,302	2,302
C	mm	5,581	5,581	6,001	6,001	6,421	6,578
H	mm	2,621	2,621	2,621	2,621	2,621	2,621
Dry mass	t	16.8	16.8	18.4	18.6	20.7	20.7

Dimensions (8-9 cylinders)

Cyl. No.	r/min	8		9	
		750/720	900	750/720	900
A	mm	4,489	4,896	4,859	5,266
B	mm	2,352	2,352	2,402	2,402
C	mm	6,841	7,248	7,261	7,668
H	mm	2,621	2,621	2,621	2,621
Dry mass	t	22.5	22.6	24.5	24.5

¹⁾ Based on nominal generator efficiencies of 95%

Note: Part load optimised – available



Free passage between the engines, width 600 mm and height 2,000 mm
 Minimum distance between centre of engines: ~2,250 mm (without gallery)
 ~2,600 mm (with gallery)

Bore: 225 mm, **Stroke:** 300 mm

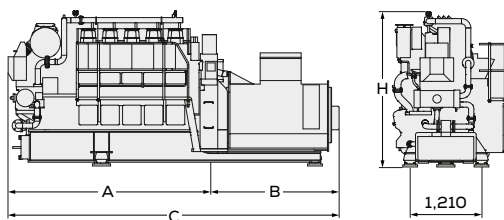
Speed	r/min	750		720		900	
	Hz	50		60		60	
Frequency	Hz	Eng. kW Gen. kW ¹⁾		Eng. kW Gen. kW ¹⁾		Eng. kW Gen. kW ¹⁾	
5L23/30H Mk 2 ECR		580	550	580	550	-	-
5L23/30H Mk 2		675/740	640/705	650/710	620/675	-	-
6L23/30H Mk 2		888	845	852	810	1,050	1,000
7L23/30H Mk 2		1,036	985	994	945	1,225	1,165
8L23/30H Mk 2		1,184	1,125	1,136	1,080	1,400	1,330

Dimensions

Cyl. No.	r/min	5		6		7		8	
		720/750	720/750	900	720/750	900	720/750	900	
A	mm	3,379	3,749	3,749	4,119	4,276	4,489	4,896	
B	mm	2,202	2,252	2,252	2,302	2,302	2,352	2,352	
C	mm	5,581	6,001	6,001	6,421	6,578	6,841	7,248	
H	mm	2,621	2,621	2,621	2,621	2,621	2,621	2,621	
Dry mass	t	16.8	18.4	18.6	20.7	20.7	22.5	22.6	

¹⁾ Based on nominal generator efficiencies of 95%

Note: Part load optimised – available



Free passage between the engines, width 600 mm and height 2,000 mm
 Minimum distance between centre of engines: ~2,250 mm (without gallery)
 ~2,600 mm (with gallery)

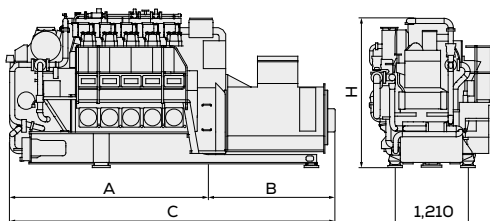
Tier III in gas mode

Bore: 225 mm, Stroke: 300 mm

Speed	r/min	750		720		900 ²⁾	
		Eng. kW	Gen. kW ¹⁾	Eng. kW	Gen. kW ¹⁾	Eng. kW	Gen. kW ¹⁾
5L23/30DF	625	625	590	625	590	-	-
6L23/30DF	750	750	710	750	710	990	940
7L23/30DF	875	875	830	875	830	1,155	1,095
8L23/30DF	1,000	1,000	950	1,000	950	1,320	1,255
9L23/30DF	-	-	-	-	-	-	-

Dimensions

Cyl. No.	r/min	5	6	6	7	7	8	8
		720/750	720/750	900	720/750	900	720/750	900
A	mm	3,469	3,839	3,839	4,209	4,276	4,579	4,896
B	mm	2,202	2,252	2,252	2,302	2,302	2,352	2,352
C	mm	5,671	6,091	6,091	6,511	6,578	6,931	7,241
H	mm	2,749	2,749	2,749	2,749	2,749	2,749	2,749
Dry mass	t	17.3	19.0	19.2	21.4	21.4	23.3	23.4

¹⁾ Based on nominal generator efficiencies of 95%.²⁾ The 900 rpm version is only approved for Aux. GenSet application. For Diesel-Electric Propulsion, please contact Everlence.
Gas methane number ≥ 80 .

Free passage between the engines, width 600 mm and height 2,000 mm
 Minimum distance between centre of engines: ~2,250 mm (without gallery)
 ~2,600 mm (with gallery)

Bore: 210 mm, Stroke: 310 mm

Speed	r/min	1,000		900	
	Hz	50		60	
Frequency	Hz	Eng. kW	Gen. kW ¹⁾	Eng. kW	Gen. kW ¹⁾
5L21/31 Mk 2		1,000	950	1,000	950
6L21/31 Mk 2		1,320	1,255	1,320	1,255
7L21/31 Mk 2		1,540	1,465	1,540	1,465
8L21/31 Mk 2		1,760	1,675	1,760	1,675
9L21/31 Mk 2		1,980	1,880	1,980	1,880

* Refer to page 170 for further information

Dimensions (1 bearing)

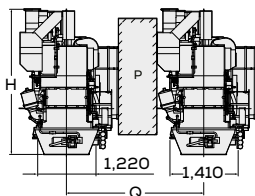
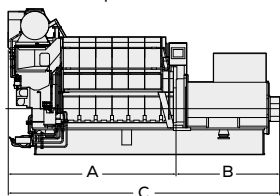
Cyl. No.		5		6		7	
		r/min	900	1,000	900	1,000	900
A	mm	3,504	3,504	3,859	3,859	4,214	4,214
B	mm	1,995	1,995	2,047	2,047	2,027	2,027
C	mm	5,499	5,499	5,906	5,906	6,241	6,241
H	mm	3,074	3,074	3,161	3,161	3,161	3,161
Dry mass	t	22.2	22.2	25.7	25.7	29.2	29.2

Dimensions (2 bearings)

Cyl. No.		5		6		7		8		9	
		r/min	900	1,000	900	1,000	900	1,000	900	1,000	
A	mm	3,504	3,504	3,859	3,859	4,214	4,214	4,569	4,624	4,979	4,979
B	mm	2,545	2,545	2,597	2,597	2,577	2,577	2,577	2,577	2,657	2,657
C	mm	6,049	6,049	6,456	6,456	6,791	6,791	7,146	7,201	7,636	7,636
H	mm	3,074	3,074	3,161	3,161	3,161	3,161	3,161	3,267	3,267	3,267
Dry mass	t	22.2	22.2	25.7	25.7	29.2	29.2	32.7	32.7	36.2	36.2

¹⁾ Based on nominal generator efficiencies of 95%

Note: Part load optimised - available



P Free passage between the engines, width 600 mm and height 2,000 mm

Q Minimum distance between centre of engines: ~2,500 mm (without gallery)
~2,700 mm (with gallery).

Tier III with SCR

Bore: 210 mm, Stroke: 310 mm

Speed	r/min	1,000		900	
	Hz	50		60	
		Eng. kW	Gen. kW ¹⁾	Eng. kW	Gen. kW ¹⁾
5L21/31DF-M		1,000	950	1,000	950
6L21/31DF-M		1,320	1,255	1,320	1,255
7L21/31DF-M		1,540	1,465	1,540	1,465
8L21/31DF-M		1,760	1,675	1,760	1,675
9L21/31DF-M		1,980	1,880	1,980	1,880

Dimensions (1 bearing)

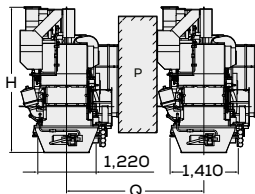
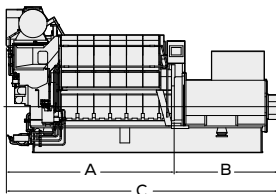
Cyl. No.		5	5	6	6	7	7
	r/min	900	1,000	900	1,000	900	1,000
A	mm	3,504	3,504	3,859	3,859	4,214	4,214
B	mm	1,995	1,995	2,047	2,047	2,027	2,027
C	mm	5,499	5,499	5,906	5,906	6,241	6,241
H	mm	3,074	3,074	3,161	3,161	3,161	3,161
Dry mass	t	22.2	22.2	25.7	25.7	29.2	29.2

Dimensions (2 bearings)

Cyl. No.		5	5	6	6	7	7	8	8	9	9
	r/min	900	1,000	900	1,000	900	1,000	900	1,000	900	1,000
A	mm	3,504	3,504	3,859	3,859	4,214	4,214	4,569	4,624	4,979	4,979
B	mm	2,545	2,545	2,597	2,597	2,577	2,577	2,577	2,577	2,657	2,657
C	mm	6,049	6,049	6,456	6,456	6,791	6,791	7,146	7,201	7,636	7,636
H	mm	3,074	3,074	3,161	3,161	3,161	3,161	3,161	3,267	3,267	3,267
Dry mass	t	22.2	22.2	25.7	25.7	29.2	29.2	32.7	32.7	36.2	36.2

¹⁾ Based on nominal generator efficiencies of 95%

Note: Part load optimised – available



P Free passage between the engines, width 600 mm and height 2,000 mm

Q Minimum distance between centre of engines: ~2,500 mm (without gallery)
~2,700 mm (with gallery).

Bore: 175 mm, **Stroke:** 215 mm, **Cylinders:** 12

Engine model	Rating def.	kWm	kWe ²⁾	rpm (frequency)	SFOC at 100% MCR ¹⁾ Tier II/Tier III
					g/kWh
Electric propulsion					
12V175D-MEM	Medium duty	1,440	1,382	1,500 (50 Hz)	184/185
		1,620	1,555	1,500 (50 Hz)	183/184
		1,800	1,728	1,800 (60 Hz)	190/191
		1,920	1,843	1,800 (60 Hz)	190.5/190.5
12V175D-MEL	Light duty	1,800	1,728	1,500 (50 Hz)	186/187
		1,980	1,901	1,500 (50 Hz)	186/187
		2,100	2,016	1,800 (60 Hz)	191/192
		2,280	2,189	1,800 (60 Hz)	192/193
12V175D-MEV	Variable Speed	1,860	1,786	1,080-1,800 (36-60 Hz)	191/192
		2,040	1,958	1,080-1,800 (36-60 Hz)	190/191
		2,280	2,189	1,080-1,800 (36-60 Hz)	192/193
Auxiliary power					
12V175D-MA	Auxiliary power	1,620	1,555	1,500 (50 Hz)	183/184
		1,800	1,728	1,500 (50 Hz)	185.5/186
		1,980	1,901	1,500 (50 Hz)	186/187.5
		1,920	1,843	1,800 (60 Hz)	190.5/190.5
		2,100	2,016	1,800 (60 Hz)	191/192
		2,280	2,189	1,800 (60 Hz)	192/193

¹⁾ Valid for IMO 2008, IMO 2028 tbd.

²⁾ 3-phase, 0.8 p.f., assumes alternator efficiency of 96.0%.

Specific fuel oil consumption related to mechanical output acc. to ISO 3046-1:2002 based on a lower calorific value of fuel 42,700 kJ/kg with attached lube oil, HT and LT-cooling water pumps fulfilling IMO Tier II/Tier III emission limits with 5% tolerance.

* Refer to page 170 for further information

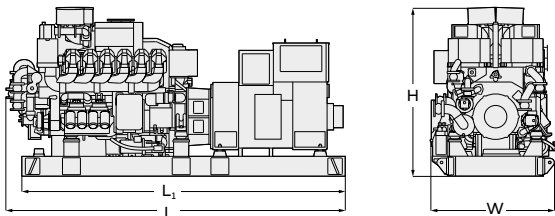
Rating definitions:

Marine electric propulsion medium duty	Average load: up to 75%/50%
Marine electric propulsion light duty	Average load: up to 50%
Marine electric propulsion, variable speed	Average load: up to 75%/50%
Marine auxiliary	Average load: up to 50%

Dimensions

L	mm	5,140
L₁	mm	4,900
H	mm	2,555
W	mm	1,880
Dry weight	t	19.0

Weight and dimensions are subject to confirmation and have to be adjusted acc. to the various configuration possibilities. Please request installation drawings for planning purposes.



Bore: 175 mm, **Stroke:** 215 mm, **Cylinder:** 16

Engine model	Rating def.	kWm	kWe ²⁾	rpm (frequency)	SFOC at 100% MCR ¹⁾ Tier II/Tier III
					g/kWh
16V175D-MEM	Electric	2,160	2,074	1,500 (50 Hz)	183.0/185.0
	Propulsion	2,400	2,304	1,800 (60 Hz)	190.0/192.0
	Medium duty	2,560	2,458	1,800 (60 Hz)	190.5/191.5
16V175D-MEL	Electric	2,400	2,304	1,500 (50 Hz)	186.0/187.0
	Propulsion	2,640	2,534	1,500 (50 Hz)	186.5/187.5
	Light	2,800	2,688	1,800 (60 Hz)	191.0/192.0
	Duty	2,960	2,842	1,800 (60 Hz)	194.0/195.0
16V175D-MEV	Electric	2,480	2,381	1,080-1,800 (36-60 Hz)	191.0/193.0
	Propulsion	2,720	2,611	1,080-1,800 (36-60 Hz)	191.0/193.0
	Variable speed	2,960	2,842	1,080-1,800 (36-60 Hz)	194.5/195.0
16V175D-MA	Auxiliary power	2,400	2,304	1,800 (60 Hz)	190.0/192.0

¹⁾ Valid for IMO 2008, IMO 2028 tbd.

²⁾ 3-phase, 0.8 p.f., assumes alternator efficiency of 96.0%.

Specific fuel oil consumption related to mechanical output acc. to ISO 3046-1:2002 based on a lower calorific value of fuel 42,700 kJ/kg with attached lube oil, HT and LT-cooling water pumps fulfilling IMO Tier II/Tier III emission limits with 5% tolerance.

* Refer to page 170 for further information

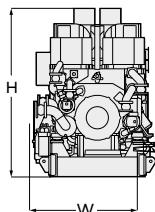
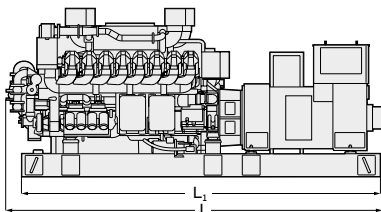
Rating definitions

Marine electric propulsion medium duty	Average load: up to 75%/50%
Marine electric propulsion light duty	Average load: up to 50%
Marine electric propulsion, variable speed	Average load: up to 75%/50%
Marine auxiliary	Average load: up to 75%

Dimensions

L	mm	5,780
L₁	mm	5,500
H	mm	2,575
W	mm	1,880
Dry weight	t	22.70

Weight and dimensions are subject to confirmation and have to be adjusted acc. to the various configuration possibilities. Please request installation drawings for planning purposes.



Bore: 175 mm, **Stroke:** 215 mm, **Cylinder:** 20

Engine model	Rating def.	kW _m	kW _e ²⁾	rpm (frequency)	SFOC at 100% MCR ¹⁾ Tier II/Tier III
					g/kWh
20V175D-MEM	Electric	2,700	2,592	1,500 (50 Hz)	183.0/184.5
	Propulsion	3,000	2,880	1,800 (60 Hz)	190.0/191.0
	Medium duty	3,200	3,072	1,800 (60 Hz)	190.5/190.5
20V175D-MEL	Electric	3,000	2,880	1,500 (50 Hz)	186.0/187.0
	Propulsion	3,300	3,168	1,500 (50 Hz)	186.5/187.5
	Light	3,500	3,360	1,800 (60 Hz)	191.0/192.0
	Duty	3,800	3,648	1,800 (60 Hz)	192.0/193.0
20V175D-MEV	Electric	3,100	2,976	1,080-1,800 (36-60 Hz)	191.0/192.0
	Propulsion	3,400	3,264	1,080-1,800 (36-60 Hz)	190.0/191.0
	Variable speed	3,800	3,648	1,080-1,800 (36-60 Hz)	192.0/193.0

¹⁾ Valid for IMO 2008, IMO 2028 tbd.

²⁾ 3-phase, 0.8 p.f., assumes alternator efficiency of 96.0%.

Specific fuel oil consumption related to mechanical output acc. to ISO 3046-1:2002 based on a lower calorific value of fuel 42,700 kJ/kg with attached lube oil, HT and LT-cooling water pumps fulfilling IMO Tier II/Tier III emission limits with 5% tolerance.

* Refer to page 170 for further information

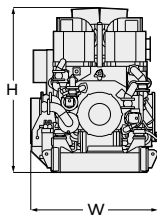
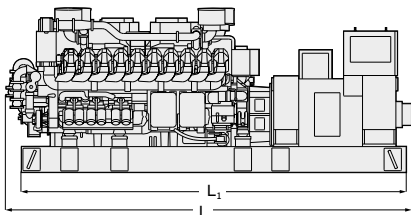
Rating definitions

Marine electric propulsion medium duty	Average load: up to 75%/50%
Marine electric propulsion light duty	Average load: up to 50%
Marine electric propulsion, variable speed	Average load: up to 75%/50%

Dimensions

L	mm	6,300
L₁	mm	6,000
H	mm	2,555
W	mm	1,980
Dry weight	t	26.8

Weight and dimensions are subject to confirmation and have to be adjusted acc. to the various configuration possibilities. Please request installation drawings for planning purposes.





S.E.M.T. Pielstick
four-stroke
propulsion
engines



S.E.M.T. Pielstick PA4 SM & SMDS

GenSet

Bore: 200 mm, **Stroke:** 210 mm

Speed	r/min	1,300
Rated power output		kW
8 PA4 V 200 SM¹⁾		700
12 PA4 V 200 SMDS²⁾		1,330

		8 PA4 V 200 SM	12 PA4 V 200 SMDS
mep	bar	12.2	15.5

Specific fuel oil consumption (SFOC) to ISO conditions

Engine rating	MCR 110%	MCR 100%	MCR 85%
8 PA4 V 200 SM			On demand
12 PA4 V 200 SMDS			On demand

Dimensions³⁾

Engine type		8 PA4 V 200 SM	12 PA4 V 200 SMDS
A	mm	1,515	2,140
B	mm	2,350	3,120
C	mm	1,785	2,085
D	mm	1,470	1,670
Dry mass	t	8	10

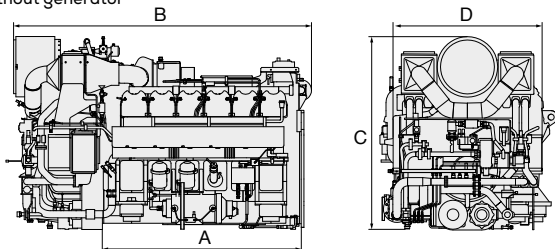
All dimensions and masses are approximate and subject to change without prior notice.

For detailed information, please contact Everllence.

¹⁾ Power in surface conditions according to the "rules for the classification of naval submarines" guideline from Bureau Veritas

²⁾ Power in snorkel conditions according to the "rules for the classification of naval submarines" guideline from Bureau Veritas

³⁾ Without generator



Tier III with SCR

Bore: 280 mm, **Stroke:** 330 mm

		Standard engine	Load profile 'Navy'
Speed	r/min	1,050	1,084
mep	bar	22.8	24.3
Rated power output		kW¹⁾	- ICFN kW
12PA6 B STC		4,860	5,346
16PA6 B STC		6,480	7,128
20PA6 B STC		8,100	8,910

Specific fuel oil consumption (SFOC) to ISO conditions

Engine rating	ICFN stop power	MCR 100%	MCR 85%
Load profile 'Navy'	213 g/kWh	205 g/kWh	200 g/kWh

Specific lube oil consumption¹⁾: 0.7 g/kWh.

Figures on theoretical propeller curve for distillates according to ISO 8217 DMA, with all attached pumps.

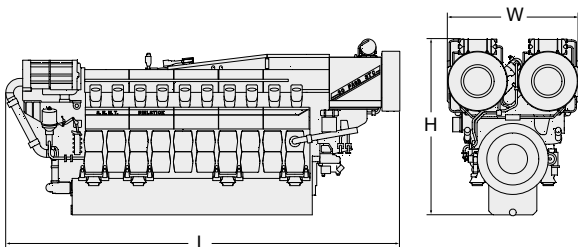
ICFN, 1 hour every 6 operating hours

Dimensions

Cyl. No.		12	16	20
L	mm	6,035	6,948	8,167
W	mm	2,444	2,444	2,714
H	mm	3,170	3,170	3,620
Dry mass	t	31	37	43

Engine fuel: distillate according to ISO 8217 DMX to DMB. Capabilities with JP-5 and bio-fuel.

Shock qualified.

¹⁾ Related to 100% actual engine load.

S.E.M.T. Pielstick PA6 B

GenSet for electric propulsion

Tier II Tier III

Tier III with SCR

Bore: 280 mm, **Stroke:** 330 mm

Speed	r/min	1,000		900	
		Eng. kW	Gen. kW ¹⁾	Eng. kW	Gen. kW ¹⁾
Frequency	Hz		50		60
12PA6 B		4,440	4,307	4,200	4,074
16PA6 B		5,920	5,742	5,600	5,432
18PA6 B		6,660	6,460	6,300	6,111
20PA6 B		7,400	7,178	7,000	6,790

Specific fuel oil consumption (SFOC) to ISO conditions

Engine rating	MCR 110%	MCR 100%	MCR 85%
Frequency 50 Hz	204 g/kWh	200 g/kWh	198 g/kWh
Frequency 60 Hz	204 g/kWh	199 g/kWh	197 g/kWh

Figures at constant speed for theoretical propeller curve for distillates according to ISO 8217 DMA, with all attached pumps.

Dimensions²⁾

Cyl. No.		12	16	18	20
A	mm	4,370	4,727	4,732	4,770
B	mm	4,600	5,637	6,097	6,557
C	mm	9,287	10,583	11,048	11,547
H	mm	3,695	3,695	3,695	3,695
E	mm	2,670	2,670	2,670	2,670
Dry mass³⁾	t	60	72	80	85

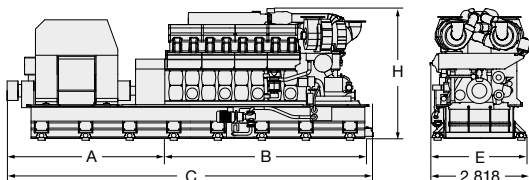
¹⁾ Nominal generator efficiencies: 97%.

²⁾ Dimensions are based on operation under inclination up to 25 degrees in any direction.

³⁾ Incl. 5% tolerance, weight may vary due to different configurations.

Engine fuel: distillate according to ISO 8217 DMX to DMB. Capabilities with JP-5 and bio-fuel.

Engine rating: engine suitable for 110% overload during 1 hour every 12 operating hours. Shock qualified.



Tier III with SCR

Bore: 400 mm, Stroke: 500 mm

		Standard engine	Load profile 'Navy'
Speed	r/min	600	619
mep	bar	23.9	25.5
Rated power output		kW	- ICFN kW
12PC2.6 B		9,000	9,900
14PC2.6 B		10,500	11,550
16PC2.6 B		12,000	13,200
18PC2.6 B		13,500	14,850

Specific fuel oil consumption (SFOC) to ISO conditions

Engine rating	ICFN stop power	MCR 100%	MCR 85%
PC2-6 B Standard Engine	On demand	185 g/kWh	179 g/kWh

Specific lube oil consumption¹⁾: 1.2 g/kWh

Figures on theoretical propeller curve for distillates according to ISO 8217 DMA, with all attached pumps.

ICFN 1 hour every 6 operating hours

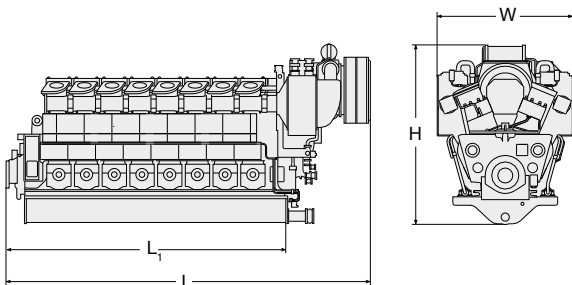
Dimensions

Cyl. No.		12	14	16	18
L	mm	8,247	8,987	9,727	10,467
L ₁	mm	5,960	6,700	7,440	8,180
W	mm	3,674	3,674	3,674	3,674
H	mm	4,794	4,794	4,794	4,794
Dry mass	t	94	104	114	123

Engine fuel: distillate according to ISO 8217 DMX to DMB.

Capabilities with JP-5 and heavy fuel oil.

Shock qualified.

¹⁾ Related to 100% actual



Everllence
four-stroke
propulsion
systems



Alpha propeller and aft ship solutions

Propeller programme – CPP and FPP

Alpha CPP (controllable pitch propeller):

- As standard Mk 5 propeller versions are 4-bladed
 - optional 3- and 5-bladed propellers are available on request
 - optional full-feathering capability for all hub sizes and blade numbers
- Standard power range is up to 40 MW per shaft
- The figures stated after VBS (in the following tables) indicate the propeller hub diameter
- Standard blade/hub materials are Ni-Al-bronze, stainless steel is optional
- The propellers are available up to the highest ice classes, however, the standard programme is based on 'no ice'

The Alpha FPP (fixed pitch propeller) portfolio includes:

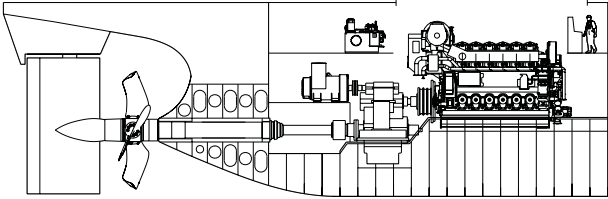
- Power range of 4-50 MW per shaft
- Blade configurations for 3-, 4-, 5-, and 6-bladed propellers
- Monoblock propellers or as built-up for special applications
- Propellers with integrated shaftline and stern tube solutions

The following benefits characterise our propeller solutions:

- High-efficient, hydrodynamically optimised blade profiles – Kappel designs available
- High reliability – robust approach with ample mechanical design margins
- High-efficient aft ship integration with rudder, rudder bulb, ducts and other efficiency devices.
- Layouts for complete propulsion and propeller shaft systems
- A wide range of stern tube lube and sealing systems are offered for oil, water and biodegradable oils.
- Plant calculations with upfront consideration of torsional vibrations (TVC), ice impact simulations, whirling, etc.
- Our Alphasonic 3000 Propulsion Control System ensures optimised and safe operation

Alpha propeller and aft ship solutions

Four-stroke propulsion system installation



Complete powertrain with propeller and aft ship equipment.

The hydrodynamic edge

In the complex hydrodynamic entity embracing hull, propeller, and rudder - our CFD-based software masters the holistic approach of customised blade and rudder bulb designs.

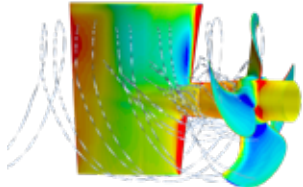
We perform 'Resistance calculations' and 'Calculations of wake field', which form the basis for the following:

- Final propeller design
- Self-propulsion calculations
- Cavitation extent calculations
- Propeller-induced pressure impulses and CIS (cavitation inception speed)

Save the 'stock propeller test'; save time and save money.

With EcoBulb rudder bulb and propeller hub fairing cone installed, uniform flow without separation creates improved thrust ahead, and less power is required.

CFD model with streamlines and surface pressure distribution.



Everllence standard package examples

Cyl.	kW	Prop. speed r/min	D mm	Hub VBS mm	Q mm	R mm	Wmin mm	Prop. mass t ¹⁾
L51/60DF								
6	6,900	161	4,250	1,100	851	935	1,650	17.9
6	6,900	103	5,600	1,260	972	1,052	1,698	28.1
6	6,900	133	4,800	1,180	914	1,004	1,698	22.4
7	8,050	160	4,400	1,180	914	1,004	1,698	21.5
7	8,050	133	5,000	1,260	972	1,052	1,698	26.1
7	8,050	104	5,850	1,350	1,037	1,111	1,738	32.1
8	9,200	157	4,550	1,260	972	1,052	1,698	25.1
8	9,200	132	5,150	1,350	1,037	1,111	1,738	29.5
8	9,200	103	6,000	1,450	1,114	1,163	1,778	36.8
9	10,350	154	4,700	1,350	1,037	1,111	1,698	27.7
9	10,350	130	5,300	1,350	1,037	1,111	1,778	32.0
9	10,350	102	6,200	1,450	1,114	1,178	1,831	39.6

L49/60DF

6	7,800	169	4,350	1,100	851	962	1,700	-
6	7,800	142	4,900	1,180	914	1,014	1,700	-
6	7,800	122	5,700	1,350	1,027	1,035	1,750	-
7	9,100	167	4,500	1,180	914	1,014	1,700	-
7	9,100	139	5,100	1,260	972	1,223	1,700	-
7	9,100	111	5,900	1,450	1,127	1,197	1,800	-
8	10,400	164	4,650	1,180	914	1,034	1,700	-
8	10,400	138	5,250	1,350	1,027	1,040	1,750	-
8	10,400	110	6,100	1,450	1,127	1,197	1,800	-
9	11,700	159	4,850	1,260	972	1,233	1,750	-
9	11,700	135	5,450	1,350	1,027	1,100	1,750	-
9	11,700	108	6,300	1,550	1,175	1,236	1,900	-
10	13,000	162	4,900	1,350	1,027	1,080	1,750	-
10	13,000	136	5,500	1,450	1,122	1,197	1,800	-
10	13,000	109	6,400	1,550	1,175	1,256	1,900	-

¹⁾ S_{min} and propeller mass are based on 6,000 mm propeller shaft and 3,000 mm stern tube

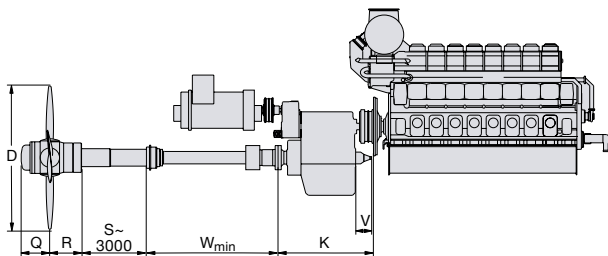
Everlence standard package examples

Cyl.	kW	Prop. speed r/min	D mm	Hub VBS mm	Q mm	R mm	W _{min} mm	Prop. mass t ¹⁾
V49/60DF								
12	15,600	161	5,100	1,450	1,122	1,197	1,800	-
12	15,600	133	5,750	1,550	1,175	1,236	1,900	-
12	15,600	106	6,750	1,640	1,260	1,288	1,950	-
14	18,200	164	5,200	1,450	1,122	1,227	1,800	-
14	18,200	131	5,950	1,550	1,175	1,256	1,900	-
14	18,200	104	7,000	1,730	1,330	1,339	3,000	-

V48/60CR

12	14,400	166	4,950	1,450	1,114	1,163	1,778	33.2
12	14,400	136	5,600	1,550	1,187	1,223	1,831	39.6
12	14,400	107	6,600	1,730	1,424	1,332	1,881	51.9
14	16,800	167	5,100	1,550	1,187	1,223	1,778	37.4
14	16,800	132	5,850	1,640	1,295	1,281	1,881	45.9
14	16,800	105	6,850	1,730	1,424	1,332	1,913	57.5
16	19,200	166	5,250	1,640	1,295	1,281	1,831	41.7
16	19,200	131	6,050	1,730	1,424	1,332	1,913	52.5
16	19,200	103	7,100	1,810	1,553	1,412	1,966	65.5

¹⁾ S_{min} and propeller mass are based on 6,000 mm propeller shaft and 3,000 mm stern tube



Everllence standard package examples

Cyl.	kW	Prop. speed r/min	D mm	Hub VBS mm	Q mm	R mm	Wmin mm	Prop. mass t ¹⁾
L48/60CR								
6	7,200	172	4,250	1,180	914	979	1,650	18.5
6	7,200	112	5,600	1,260	972	1,052	1,698	27.4
6	7,200	143	4,800	1,180	914	1,004	1,698	21.8
7	8,400	169	4,400	1,180	914	1,004	1,698	21.1
7	8,400	141	5,000	1,260	972	1,052	1,698	25.8
7	8,400	110	5,850	1,350	1,037	1,111	1,738	31.7
8	9,600	167	4,550	1,260	972	1,052	1,698	24.7
8	9,600	139	5,150	1,350	1,037	1,111	1,698	28.6
8	9,600	110	6,000	1,450	1,114	1,163	1,778	35.7
9	10,800	165	4,700	1,350	1,037	1,111	1,698	27.2
9	10,800	137	5,300	1,450	1,114	1,163	1,778	33.3
9	10,800	108	6,200	1,450	1,114	1,178	1,778	38.4

L35/44DF

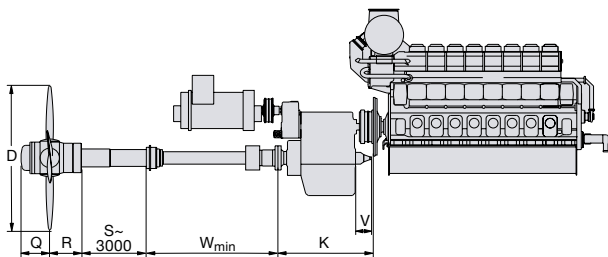
6	3,180	208	3,300	790	639	704	1,401	8.4
6	3,180	167	3,800	860	686	739	1,401	10.2
6	3,180	130	4,400	940	735	813	1,522	12.4
7	3,710	198	3,500	860	686	739	1,401	9.9
7	3,710	161	4,000	940	735	813	1,522	12.0
7	3,710	128	4,600	1,020	795	859	1,557	14.3
8	4,240	197	3,600	940	735	793	1,522	11.5
8	4,240	165	4,050	940	735	813	1,522	12.6
8	4,240	127	4,750	1,020	795	894	1,629	16.0
9	4,770	202	3,600	940	735	813	1,522	11.7
9	4,770	167	4,100	1,020	795	859	1,557	13.8
9	4,770	130	4,800	1,100	851	935	1,629	17.5
10	5,300	199	3,700	1,020	795	859	1,522	12.9
10	5,300	166	4,200	1,020	795	859	1,557	14.7
10	5,300	126	5,000	1,100	851	935	1,650	18.7

¹⁾ S_{min} and propeller mass are based on 6,000 mm propeller shaft and 3,000 mm stern tube

Everlence standard package examples

Cyl.	kW	Prop. speed r/min	D mm	Hub VBS mm	Q mm	R mm	W _{min} mm	Prop. mass t ¹⁾
V32/44CR								
12	7,200	209	3,800	1,100	851	935	1,629	15.8
12	7,200	167	4,400	1,180	914	979	1,698	19.7
12	7,200	128	5,250	1,260	972	1,052	1,698	25.8
14	8,120	204	3,950	1,180	914	979	1,629	17.7
14	8,120	163	4,550	1,180	914	1,004	1,698	21.5
14	8,120	126	5,400	1,260	972	1,052	1,698	27.4
16	9,600	208	4,050	1,180	914	1,004	1,698	20.1
16	9,600	165	4,650	1,260	972	1,052	1,698	25.1
16	9,600	127	5,550	1,350	1,037	1,111	1,738	31.4
18	10,800	207	4,150	1,260	972	1,052	1,698	22.9
18	10,800	165	4,750	1,350	1,037	1,111	1,698	27.4
18	10,800	126	5,700	1,450	1,114	1,163	1,778	35.2
20	12,000	206	4,250	1,260	972	1,052	1,698	24.2
20	12,000	165	4,850	1,350	1,037	1,111	1,738	29.0
20	12,000	124	5,850	1,450	1,114	1,178	1,778	37.4

¹⁾ S_{min} and propeller mass are based on 6,000 mm propeller shaft and 3,000 mm stern tube



Everllence standard package examples

Cyl.	kW	Prop. speed r/min	D mm	Hub VBS mm	Q mm	R mm	Wmin mm	Prop. mass t ¹⁾
L32/44CR								
6	3,600	210	3,350	860	686	739	1,401	9.5
6	3,600	173	3,800	940	735	793	1,522	11.5
6	3,600	133	4,450	940	735	813	1,522	13.0
7	4,060	203	3,500	860	686	739	1,401	10.1
7	4,060	170	3,950	940	735	813	1,522	12.1
7	4,060	133	4,600	1,020	795	859	1,557	15.0
8	4,800	203	3,600	940	735	813	1,522	11.7
8	4,800	170	4,050	1,020	795	859	1,522	13.5
8	4,800	132	4,750	1,100	851	935	1,629	17.2
9	5,400	204	3,650	1,020	795	859	1,522	12.8
9	5,400	169	4,150	1,020	795	859	1,557	14.6
9	5,400	131	4,900	1,100	851	935	1,650	18.5
10	6,000	205	3,700	1,020	795	859	1,557	13.4
10	6,000	168	4,250	1,100	851	935	1,629	16.6
10	6,000	131	5,000	1,180	914	1,004	1,698	21.6

V32/40

12	6,000	186	3,950	1,020	795	859	1,557	20.4
12	6,000	159	4,400	1,100	851	935	1,629	17.2
12	6,000	128	5,050	1,180	914	1,004	1,698	21.8
14	7,000	183	4,100	1,100	851	935	1,629	16.8
14	7,000	158	4,550	1,180	914	1,004	1,698	20.8
14	7,000	127	5,250	1,260	972	1,052	1,698	25.7
16	8,000	183	4,200	1,180	914	979	1,698	19.4
16	8,000	155	4,700	1,180	914	1,004	1,698	22.0
16	8,000	126	5,400	1,260	972	1,052	1,698	27.1
18	9,000	183	4,300	1,260	972	1,052	1,698	22.8
18	9,000	153	4,850	1,260	972	1,052	1,698	25.5
18	9,000	123	5,600	1,350	1037	1,111	1,738	30.7

¹⁾ S_{min} and propeller mass are based on 6,000 mm propeller shaft and 3,000 mm stern tube

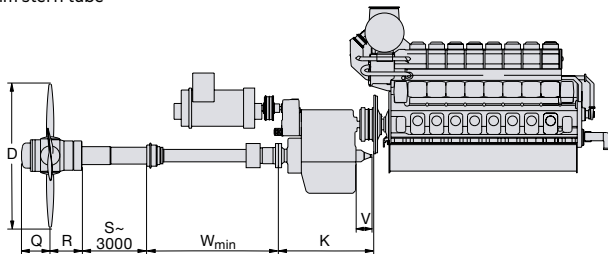
Everlence standard package examples

Cyl.	kW	Prop. speed r/min	D mm	Hub VBS mm	Q mm	R mm	W _{min} mm	Prop. mass t ¹⁾
L32/40								
6	3,000	205	3,300	790	639	704	1,401	8.3
6	3,000	171	3,700	860	686	739	1,401	9.8
6	3,000	137	4,200	940	735	813	1,522	11.8
7	3,500	199	3,450	860	686	739	1,401	9.3
7	3,500	168	3,850	940	735	793	1,522	11.6
7	3,500	134	4,400	940	735	813	1,522	12.7
8	4,000	198	3,550	860	686	739	1,401	10.2
8	4,000	165	4,000	940	735	813	1,522	12.2
8	4,000	133	4,550	1020	795	859	1,557	14.6
9	4,500	195	3,650	940	735	813	1,522	11.7
9	4,500	164	4,100	940	735	813	1,522	12.8
9	4,500	134	4,650	1020	795	859	1,629	15.9

V28/33D STC

12	6,000	187	3,700	1,020	795	859	1,557	16.7
12	6,000	138	4,000	1,100	851	935	1,698	22.3
12	6,000	125	4,300	1,100	851	960	1,698	23.6
16	8,000	210	3,700	1,100	851	935	1,629	19.5
16	8,000	184	4,000	1,180	914	979	1,698	23.6
16	8,000	160	4,300	1,180	914	1,004	1,698	25.1
20	10,000	228	3,700	1,180	914	979	1,698	23.4
20	10,000	200	4,000	1,260	972	1,052	1,698	26.8
20	10,000	176	4,300	1,260	972	1,052	1,698	28.2

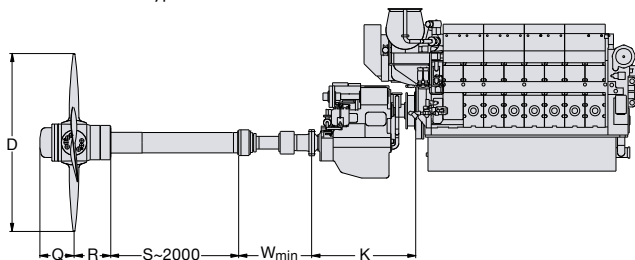
¹⁾ S_{min} and propeller mass are based on 6,000 mm propeller shaft and 3,000 mm stern tube



Everllence standard package examples

Cyl.	kW	Prop. speed r/min	D mm	Hub VBS mm	Q mm	R mm	W _{min} mm	Prop. mass t ¹⁾
L27/38 Mk 2								
6	2,460	264	2,650	720	597	669	1,331	6.0
6	2,460	230	2,950	720	597	669	1,331	6.3
6	2,460	203	3,200	790	639	704	1,331	7.1
6	2,460	175	3,500	790	639	704	1,401	7.7
6	2,460	163	3,650	790	639	704	1,401	7.9
7	2,870	258	2,800	790	639	704	1,331	6.7
7	2,870	222	3,100	790	639	704	1,331	7.1
7	2,870	197	3,350	790	639	704	1,401	7.7
7	2,870	172	3,650	860	686	739	1,401	8.7
7	2,870	161	3,800	860	686	739	1,401	8.9
8	3,280	253	2,900	790	639	704	1,331	7.0
8	3,280	219	3,200	860	686	739	1,401	8.2
8	3,280	196	3,450	860	686	739	1,401	8.6
8	3,280	183	3,600	860	686	739	1,401	8.8
8	3,280	158	3,950	940	735	813	1,522	10.5
9	3,690	255	2,950	860	686	739	1,401	7.9
9	3,690	216	3,300	860	686	739	1,401	8.5
9	3,690	194	3,550	860	686	739	1,401	8.9
9	3,690	182	3,700	940	735	813	1,401	9.9
9	3,690	157	4,050	940	735	813	1,522	10.9

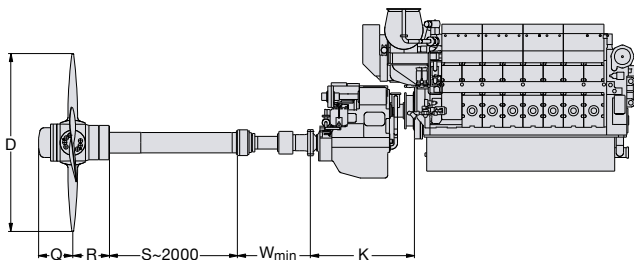
¹⁾ S_{min} and propeller mass are based on 4,000 mm propeller shaft and 2,000 mm stern tube for 21/31, 27/38 and 6,000 mm propeller shaft and 3,000 mm stem tube for the other types



Everlence standard package examples

Cyl.	kW	Prop. speed r/min	D mm	Hub VBS mm	Q mm	R mm	W _{min} mm	Prop. mass t ¹⁾
L21/31								
6	1,290	272	2,350	540	339	576	1,316	3.8
6	1,290	231	2,600	600	456	603	1,316	4.0
6	1,290	203	2,800	660	557	630	1,316	4.6
6	1,290	179	3,000	660	557	630	1,316	4.7
7	1,505	258	2,500	600	456	603	1,316	4.1
7	1,505	222	2,750	660	557	630	1,316	4.7
7	1,505	196	2,950	660	557	630	1,316	4.8
7	1,505	175	3,150	660	557	630	1,331	5.2
8	1,720	261	2,550	660	557	630	1,316	4.6
8	1,720	219	2,850	660	557	630	1,316	4.9
8	1,720	195	3,050	660	557	630	1,331	5.3
8	1,720	174	3,250	720	597	669	1,331	6.0
9	1,935	262	2,600	660	557	630	1,316	4.7
9	1,935	221	2,900	660	557	630	1,331	5.2
9	1,935	198	3,100	720	597	669	1,331	6.0
9	1,935	187	3,200	720	597	669	1,331	6.1

¹⁾ S_{min} and propeller mass are based on 4,000 mm propeller shaft and 2,000 mm stern tube for 21/31, 27/38 and 6,000 mm propeller shaft and 3,000 mm stern tube for the other types



Alpha CPP solutions for 175D

Engine Type	Output		Ship speeds [knots]							
	Power [kW]	RPM [r/min]	Recommended propeller diameters [mm]							
			30	25		20		15		
12V175D	1,740	1,800	1,400	1,500	1,600	1,700	1,800	1,950	2,050	2,200
12V175D	1,860	1,800	1,400	1,550	1,650	1,750	1,850	1,950	2,050	2,200
12V175D	2,040	1,800	1,450	1,550	1,700	1,800	1,850	1,975	2,100	2,225
12V175D	2,220	1,900	1,450	1,550	1,700	1,850	2,000	2,150	2,250	2,300
12V175D	2,220	1,800	1,450	1,600	1,750	1,850	1,900	2,000	2,150	2,250
12V175D	2,400	2,000	1,400	1,525	1,650	1,775	1,900	1,950	2,000	2,100
16V175D	2,720	1,800	1,525	1,675	1,800	1,950	2,050	2,100	2,200	2,350
16V175D	2,960	1,900	1,525	1,650	1,775	1,900	2,050	2,150	2,200	2,300
16V175D	2,960	1,800	1,550	1,700	1,850	1,975	2,100	2,175	2,200	2,350
16V175D	3,200	2,000	1,500	1,625	1,750	1,875	2,000	2,125	2,225	2,275

Reduction gear ratio	3.0	3.5	4.0	4.5	5.0	5.5	6.0	6.5
----------------------	-----	-----	-----	-----	-----	-----	-----	-----

Propellers for the 175D engines are optimised for a diesel-mechanical twin screw vessel operating at 85% engine rating. For engine versions and rating conditions, see the Everllence four-stroke propulsion engines chapter. The standard propeller programme is dimensioned according to Lloyd's Register No Ice.

Alpha CPP solutions for 175D

Engine Type	Output		Ship speeds [knots]							
	Power [kW]	RPM [r/min]	Recommended propeller diameters [mm]							
			30	25	20	15				
20V175D	3,400	1,800	1,625	1,750	1,900	2,025	2,150	2,275	2,325	2,400
20V175D	3,700	1,900	1,600	1,750	1,850	2,000	2,150	2,250	2,350	2,425
20V175D	3,700	1,800	1,650	1,775	1,925	2,050	2,200	2,325	2,400	2,450
20V175D	4,000	2,000	1,600	1,700	1,850	1,975	2,100	2,200	2,350	2,450
20V175D	4,400	2,000	1,650	1,800	1,900	2,000	2,200	2,250	2,400	2,500

Reduction gear ratio **3.0 3.5 4.0 4.5 5.0 5.5 6.0 6.5**

Propellers for the 175D engines are optimised for a diesel-mechanical twin screw vessel operating at 85% engine rating. For engine versions and rating conditions, see the Everllence four-stroke propulsion engines chapter. The standard propeller programme is dimensioned according to Lloyd's Register No Ice.

Standard shaft diameter:

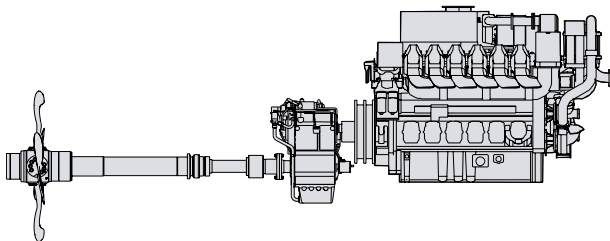
Ø 175 mm

Ø 205 mm

Ø 225 mm

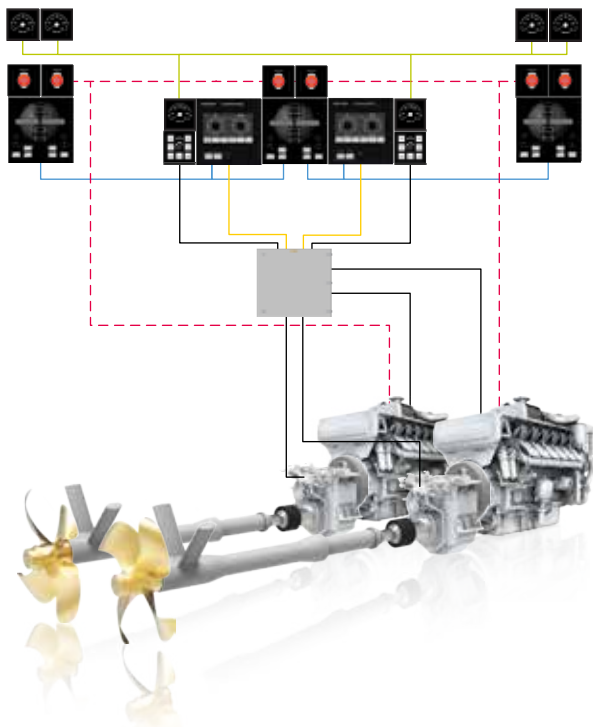
Ø 245 mm

Ø 265 mm



Alphatronic 3000 propulsion control system

A high number of various FPP and CPP propulsion package applications are controlled by the Alphatronic 3000 system – customised for combinations of Everlence medium and high speed engines in a wide range of diesel-mechanical, hybrid or electric propulsion setups.



Simple system architecture for a straightforward twin 175D FPP plant

Alphatronic 3000 at your finger tips: Safe and accurate propulsion control all the way – from the navigator's finger tips to the propeller tips. Any manoeuvring order given is translated into electrical speed setting-, pitch- or clutch signals, governing the hydraulic servo circuits of the gearbox and propeller system. Swift and reliable vessel manoeuvres are ensured due to quick and stable system response.





Everllence
turbochargers
and exhaust
gas systems



Performance meets simplicity

Find your perfect fit

Everlence has a long and successful track record in the development of exhaust gas turbochargers for low-, medium- and high-speed combustion and gas engines. Drawing on its unrivalled expertise in the design and manufacture of this crucial engine component, Everlence can offer you world-leading technology that helps you maximise the efficiency of your operations.

Everlence turbochargers are designed to deliver peak performance throughout their working lives – in some of the harshest conditions encountered anywhere in the world. This is achieved by combining three elements: simplicity, flexibility and reliability. For example, we develop and build our turbochargers to make installation, operation, servicing and maintenance as easy and efficient as possible. This reduces your initial capital investment and results in lower lifecycle costs.

Applications

- Marine propulsion
- Marine GenSets
- Power generation
- Construction
- Mining
- Off-road vehicles
- Locomotives
- Industrial
- Offshore
- Mechanical drives

TCP and TCF

Ready for the future

Ready for the future with enhanced performance and efficiency – the TCP and TCF series of radial turbochargers can achieve maximum pressure ratios of up to 7. A benchmark figure that sets new industry standards.

TCP and TCF turbochargers are from our latest generation of radial turbochargers. TCP turbochargers are suitable for high-speed and medium-speed engines, whereas the TCF type turbochargers are suitable for all speed ranges, including low-speed. Both turbocharger types are used in marine, power, locomotive and off-road applications, designed for operation on both future and conventional fuels.

TCP benefits

- Increase in power density of up to 20%
- Decrease of specific engine costs of up to 20%
- Improved efficiency levels of more than 70%
- Significantly improved dynamic behavior: 25% reduction in rotor moment of inertia
- Plug & play (keep the same flange connections as existing turbochargers)

TCF benefits

- 20% increase in specific flow
- Potential use of smaller or fewer turbochargers: cost savings
- Highest efficiencies at part load
- Significant reductions in fuel consumption and emissions
- Significantly improved dynamic behavior: 25% reduction in rotor moment of inertia
- Same standard connection dimensions as previous turbochargers
- Highest efficiencies of more than 70% at part load

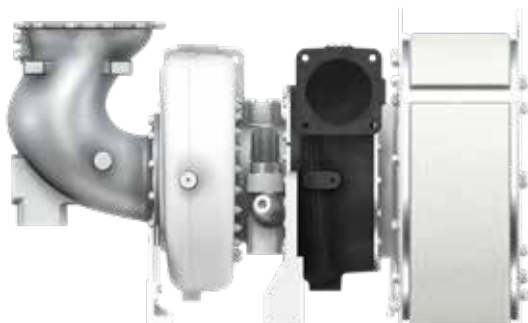
Technical data

Turbine type	Radial
Max. permissible temperature	650/750°C
Pressure ratio	up to 6.7

Suitable for future fuels (hydrogen, ammonia and methanol) as well as conventional fuels (HFO, MDO and gas)

Supercharged engine output

Type	kW	Mass kg
TCP12	800	80
TCP14	1,150	120
TCP16	1,600	190
TCP18	2,200	320
TCP19	3,000	520
TCP20	4,200	840
TCP22	5,800	1,300



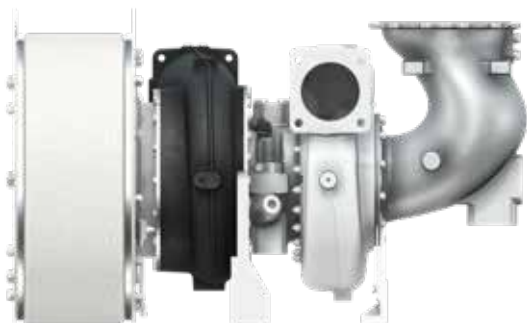
Technical data

Turbine type	Radial
Max. permissible temperature	650/750°C
Pressure ratio	up to 5.4

Suitable for future fuels (hydrogen, ammonia and methanol) as well as conventional fuels (HFO, MDO and gas)

Supercharged engine output

Type	kW	Mass kg
TCF12	1,000	70
TCF14	1,450	120
TCF16	2,000	190
TCF18	2,700	320
TCF19	3,800	520
TCF20	5,200	830
TCF22	7,200	1,400



TCT

High-performance solution

The new TCT design is optimised for IMO Tier III requirements, and suitable for both conventional and dual-fuelled, two- and four- stroke engines in marine and power applications.

The latest Everllence axial turbocharger generation offers significant down-sizing to meet current market requirements. It offers a smaller, lighter design with a superior charging efficiency, and a high charging pressure compared to its predecessor and other similar turbochargers available on the market.

TCT features

- Long time between overhauls (TBOs)
- Maintenance friendly service concept
- Highest efficiency levels
- Compact and light design
- High-performance plain bearings

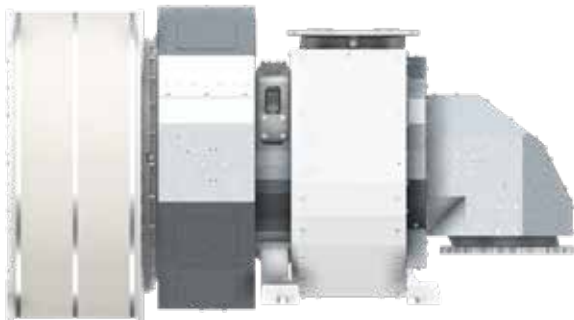
Technical data

Turbine type	Axial flow turbine
Max. permissible temperature	520°C
Pressure ratio	up to 4.7
Optimised for IMO Tier III	

Supercharged engine output

Type	kW	Mass kg
TCT30	7,500	1,820
TCT40	9,460	2,500
TCT50	12,000	3,455
TCT60	15,120	4,735
TCT70	19,040	6,480
TCT80	24,030	8,890

Specific air consumption (le) 7.5 kg/kWh



Market leader in two-stage turbocharging

Outstanding turbocharging efficiency

ECOCHARGE two-stage turbocharging is suitable for high- and medium-speed engines of all fuel types and for application in all engine power ranges. Extremely high efficiencies and pressure ratios enable increased power density and improved key engine parameters. For example, it is possible to use a smaller engine for the same required power output or to achieve lower NO_x emissions and lower specific fuel oil consumption (SFOC).

As a compact two-stage unit, the ECOCHARGE delivers outstanding turbocharging efficiency. A variety of product types and sizes are available, ensuring the perfect turbocharger-to-engine-fit. ECOCHARGE always consists of a clever combination of high- and low-pressure turbochargers.

While TCX has been specifically designed for high-pressure applications, TCA and TCR as well as our new TCT and TCF generation series round up the package as low-pressure turbochargers.

Technical data

Turbine type	Mixed flow turbine
Max. permissible temperature	650°C
Pressure ratio (two stages)	up to 10.5
Suitable for HFO, MDO, gas	

TCX turbocharger programme

Type	Max. engine output*	Mass
	kW	kg
TCX17	8,500	517
TCX19	11,900	870
TCX21	16,600	1,564
TCX23	23,300	2,394

* $l_e=6\text{kg/kWh}$; $p_{HPCin}=3.5\text{ bar}$, $THPCin=45^\circ\text{C}$



Technical data

Turbine type	Axial flow turbine
Max. permissible temperature	500°C two-stroke / 650°C four-stroke
Pressure ratio	up to 5.5
Suitable for HFO, MDO, gas	

Turbocharger programme

Type	Max. supercharged engine output kW		Mass kg
	Two-stroke *le = 7.5 kg/kWh	Four-stroke *le = 6.5 kg/kWh	
TCA33	-	5,400	1,370
TCA44	7,400	7,900	1,950
TCA55	10,200	10,400	3,200
TCA66	14,600	14,800	5,300
TCA77	20,700	21,000	8,330
TCA88	32,400	30,000	14,000

* Specific air consumption



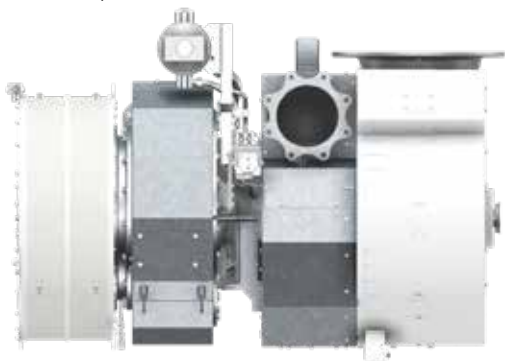
Technical data

Turbine type	Radial flow turbine
Max. permissible temperature	650°C
Pressure ratio	up to 5.4
Suitable for HFO, MDO, gas	

Turbocharger programme

Type	Max. supercharged engine output		Mass kg
	Four-stroke *le = 6.5 kg/kWh		
TCR10	600		50
TCR12	880		80
TCR14	1,300		110
TCR16	1,850		180
TCR18	2,750		300
TCR20	4,000		500
TCR22	6,850		1,050

* Specific air consumption



EGR blower series

Electrical Turbo Blower (ETB)

Specifically designed for EGR systems, the ETB plays an important role in enabling these systems to reach the IMO Tier III emission limitation. The EGR blower is a core component of Everlence's high-pressure EGR system that raises the exhaust gas pressure to overcome the pressure difference between exhaust gas and scavenge air receivers. In addition, the recirculated exhaust gas amount is controlled during the EGR operation by varying the blower speed.

The desired EGR operating conditions are achieved by using a high-speed electric motor, directly coupled to the compressor wheel and speed controlled by a frequency converter. The scope of supply consists of the ETB and one cabinet with frequency converter and sine wave filter.

The ETB features a high-efficient blower wheel, optimized for the low-pressure ratios necessary for the high-pressure EGR system of a two-stroke combustion engine with materials designed to withstand corrosive agents caused by the sulphur content of fuels. As such, the ETB is suitable for high-pressure EGR engines of all fuel types and in all application ranges.



Technical data

Type	Max. blower speed	Mass of blower
	rpm	kg
ETB40	9,170	1,860

The maximum engine power output with one ETB depends on the EGR volume flow and the pressure difference between exhaust gas and scavenge air receivers. Therefore, an EGR blower selection tool will be introduced and the output will be available in CEAS soon.

For more information and blower assignment, please contact turbochargers@everllence.com.

ETB – explicitly designed for EcoEGR

ETB is explicitly designed for EcoEGR applications where the blower will run continuously in both Tier III and Tier II Eco mode. This results in a significant SFOC reduction when the engine is operated in Tier II mode.

In the SFOC-optimised Tier II Eco mode, the EGR volume flow is approx. 50% of the required volume flow in Tier III mode. To cover the operating points of both running modes, the ETB features an extremely wide compressor map.

The ETB achieves benchmark efficiencies and, therefore, minimises operational costs.

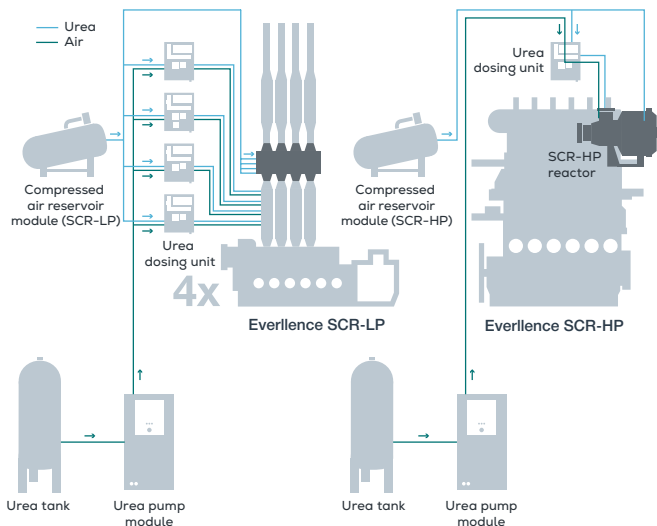
For more information about EcoEGR, see the section EcoEGR in the chapter describing Everllence B&W two-stroke propulsion engines.

SCR

Selective Catalytic Reduction (SCR) is a method to reduce nitrogen oxides (NO_x) in the exhaust gas flow of engines to meet the required Tier III limits. SCR is the most common and approved system for achieving NO_x reduction rates of up to 90%, suitable for power plants and marine applications.

Everlence has experience with both development and service of SCR systems. In 2017, the first SCR systems were introduced. There are two types of SCR layouts available:

- Low-pressure SCR-LP (after turbocharger)
- High-pressure SCR-HP (before turbocharger)



SCR-LP and HP systems

Everllence is the first manufacturer to successfully produce and offer IMO Tier III compliant four-stroke marine engines based on a fully modular SCR kit covering our entire four-stroke engine portfolio. In 2014, Everllence was awarded the first IMO Tier III EIAPP certificate together with the classification society DNV-GL.

The Everllence standard SCR system is available in fourteen different sizes covering our entire portfolio of four-stroke engines. Customised SCR systems are offered on demand.

Everllence has developed a complete range of SCR systems that work perfectly with our engines for maximum system efficiency. The intelligent exhaust gas temperature control allows significant savings in fuel consumption compared to third-party supplier systems. SCR systems work with MGO, MDO and HFO with up to 3.5% sulphur.

Our modular system comes in 14 different sizes to match all power demands. Some notable benefits of standardisation are significant cost reduction and simplification of installation.

Urea consumption

The urea consumption depends on engine type and selected performance characteristics (engine map). For an engine with ECOMAP capability it depends on operating profile, fuel type, ambient conditions, type of reduction agent, etc.

For more detailed information on the expected level of urea consumption, please contact Everllence with your project specific request.

The modular SCR component kit



SCR-HP

The SCR-HP is a small and compact NO_x emission reduction system. The most compact design in the market allows for easy integration, and the few frame sizes will cover the entire two-stroke portfolio up to 25 MW per SCR reactor.

The integrated mixing unit reduces the overall length and volume. The specific honeycombs ensure a compact design.

The SCR-HP can be mounted in all positions and is capable of running on all fuels.

Auxiliary components like the urea injection lance, urea dosing unit and urea pump module are from Everllence's well-proven SCR-LP system.



SCR-HP system

Dimensions

Cluster	Reactor diameter	Reactor length £0.1% sulphur	Reactor length £3.5% sulphur
	mm	mm	mm
1	2,000	4,800	5,800
2	2,400	5,000	6,000
3	2,900	5,500	6,500
4	3,400	5,900	6,900
5	3,900	6,300	7,300
6	4,500	6,900	7,900



Illustration contains optional features



SCR control unit



Interface cabinet

Media supply system



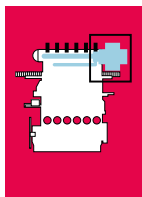
Compressed air reservoir



Urea pump module



Urea dosing unit



Media supply system



SCR-Reactor incl. mixing unit



Everllence SCR-honeycombs



Heating element



Soot blowers



Urea injection lance

Flexible turbocharging

VTA

VTA (variable turbine area) allows charge air delivery to be precisely, steplessly and continuously optimised to the demand for charge air at all engine loads and speeds. VTA minimises fuel consumption and related exhaust emissions.

Flexible air and fuel management is key to meeting the emissions legislation of the future while increasing engine performance and reducing specific fuel oil consumption (SFOC). In heavy fuel oil applications, VTA technology has a powerful and positive role to play.

Benefits

- Reduced consumption: up to 5 g/kWh lower fuel consumption
- Reduced emissions: lower soot and smoke emission and lower particle emissions
- Easy application: suitable for TCA and TCR turbochargers and retrofit packages



Everllence

Efficient turbo- charging

ECOCHARGE



www.everllence.com



Everllence



Everllence
PrimeServ



A man in a white hard hat and a dark jacket with 'Everllence PrimeServ' on the back, looking out over the ocean. The background is a clear blue sky and the ocean.

Everllence

With 100+ locations worldwide, we deliver OEM expertise, fast response, and full lifecycle support – keeping your fleet moving safely, efficiently, and without interruption.

We know how critical uptime is to you and your engines. That's why we combine rapid service with deep engine knowledge to protect your uptime and performance, 24/7, own and third-party engines.

Wherever you sail, whatever you power, whatever you process, **we're there to provide peace of mind**

More than support. A true service partner.

- Global service network with 24/7 access
- High-quality OEM spare parts for even non-Everlence products
- Tailored service agreements to fit your operations
- Digital diagnostics and remote monitoring
- On-site, remote, and academy training for your crew
- Retrofit and upgrade solutions for compliance and fuel efficiency

From MAN to Everlence – a legacy of excellence

Everlence PrimeServ carries forward the full strength of MAN PrimeServ – delivering the expert service you've always trusted for both our own and third-party engines.

Same people, same precision, same global reach.

Everllence



PrimeServ LTSA

Enjoy the confidence of expert support

Long Term Service Agreements

Everlence PrimeServ Long Term Service Agreements (LTSA) provide your fleet with financial and operational security - and bring you peace of mind, knowing we'll always be there when you need us. We tailor our services to fit your strategy and customize our maintenance plans to meet your long-term goals. You benefit from access to a single point of contact for efficient communication, fast support, and continuous engine optimization via online monitoring.

Whether the need is as simple as the prompt supply of genuine parts, or as comprehensive as complete maintenance management for a vessel or fleet, the LTSA has an array of customizable solutions to meet every customer or application requirement. Our flat-fee arrangements and tailored solutions help you plan costs. Efficient supply chain planning ensures timely availability of spare parts while our global PrimeServ presence means you can depend on reliable support anywhere in the world.

Experience smooth and efficient operations with our comprehensive LTSA solutions.

Reach out to us and find out more:

www.everlence.com/services/offerings/marine-power/service-agreements

Lifecycle upgrade

Everllence PrimeServ is now offering its customers the opportunity to retrofit 48/60A and 48/60B engines to state-of-the-art 51/60 types.

The upgrade enables customers to prepare older engines already in service for future, climate-neutral operations.

Upgraded engines will effectively be equivalent technically to newly built 51/60 units and, as a result, achieve significant savings in fuel consumption, CO₂ and pollutant emissions, and increase reliability.

As a further option, newly converted engines can be upgraded for operation on synthetic fuels for a low premium.



L51/60R

Retrofit Variant for 48/60A and 48/60B*

Tier II

Bore: 510 mm, Stroke: 600 mm

Speed	r/min	514	500
mep	bar	20.0	20.6
		kW	kW
6L51/60R		6,300	6,300
7L51/60R		7,350	7,350
8L51/60R		8,400	8,400
9L51/60R		9,450	9,450

Specific fuel oil consumption (SFOC) at ISO conditions

MCR	100%	85%
SFOC for retrofit based on 48/60A	179.0 g/kWh	171.5 g/kWh
SFOC for retrofit based on 48/60B	174.5 g/kWh	172.5 g/kWh

Specific lube oil consumption¹: 0.38 g/kWh for nominal output 1,050 kW/cyl.

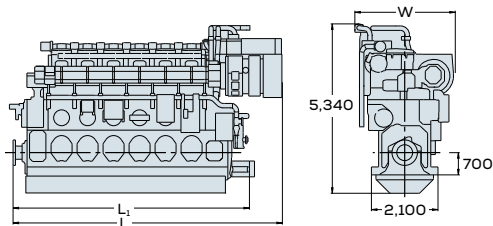
¹ Related to 100% actual engine load

Dimensions

Cyl. No.		6	7	8	9
L	mm	8,494	9,314	10,134	11,160
L ₁	mm	7,455	8,275	9,095	9,915
W	mm	3,165	3,165	3,165	3,283
Dry mass	t	110	124	137	155

Minimum centreline distance for twin engine installation: 3,200 mm

* Suitability of base engine has to be clarified during project specification



Dual-fuel conversion

Decarbonization, greater efficiency, and alternative e-fuels are just some of the benefits our advanced retrofit solutions provide. Whether you operate tankers, container vessels, or offshore units, a dual-fuel conversion of your ship can significantly reduce emissions and fuel costs. Everllence PrimeServ continuously develops and delivers retrofit products and solutions, enabling the existing fleet to meet current and future environmental regulations.

Using alternative fuels, such as SNG, LNG, ethane, LPG, or methanol, greatly reduces SO_x , NO_x , CO_2 , and particulate matter, enabling you to comply with global environmental regulations, secure worldwide port access, and meet your own sustainability targets.

Our dual-fuel retrofit solutions are not limited to the main engine, and customized projects can be provided as a turnkey solution or include gas systems in partnership with Cryo. To ensure the process is executed seamlessly from start to finish, Everllence PrimeServ covers everything from research and site survey to engineering and project management, and finally to hardware commissioning.





Everllence PrimeServ Academies

Professional certification

Everllence PrimeServ Academies offer courses covering the entire portfolio of Everllence products, both two- and four-stroke, power generation, and turbochargers. In the academies, participants are guided through theoretical lectures, and hands-on exercises covering the operation, maintenance, and troubleshooting, of the Everllence product portfolio. We strive to create a “real life” atmosphere such that participants can relate learning objectives to their daily working environment. That includes working on original engines, fully functioning diesel GenSets, and simulators.

In addition to our on-site courses, we now offer new digital training methods and solutions. From self-paced eLearning courses to instructor-led online courses and blended learning courses, you get maximum flexibility in choosing a course format that perfectly fits your needs.

Please find out more about the Everllence PrimeServ Academies:
www.everllence.com › [Services](#) › [Everllence PrimeServ Academy](#) › [Training](#).

PrimeServ Assist

Secured availability – optimised efficiency

Be one step ahead by using Everlence PrimeServ Assist. A proactive service solution from Everlence.

Get an instant, accurate snapshot of your machinery's status with all relevant data consolidated on one interface. PrimeServ Assist makes sure your operators are always on top of efficiency data. The result: accelerated decision-making as well as improved efficiency and cost-effectiveness. For an even better fleet oversight, PrimeServ Assist provides precise and far-reaching efficiency insights about how the individual units perform. All digital and absolutely accurate, PrimeServ Assist offers the ideal groundwork for informed decisions and the right adjustments.

Get advice on how to keep your machinery operating at peak efficiency for longer. Our experts are here for you 24/7, continuously monitoring and analyzing live data from machinery in the field, diagnosing anomalies and notifying you with valuable operational and maintenance advice.

To provide you with comprehensive insights, a monthly summary is automatically generated and available on Everlence CEON.

The earlier you spot a deviation, the sooner you can act. That's the philosophy behind PrimeServ Assist. And it's made possible by Everlence CEON.

The digital backbone of PrimeServ Assist

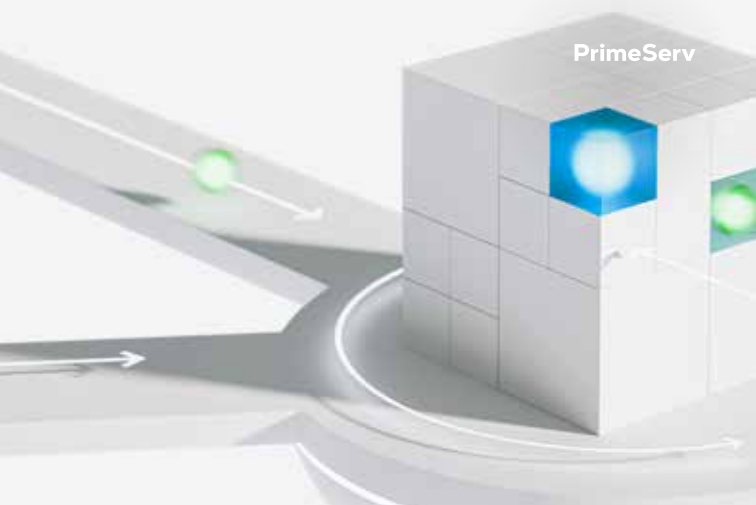
Everlence CEON is at the core of our digital ecosystem. This cloud-based platform connects all Everlence machinery to a powerful analytics infrastructure. It monitors thousands of installations in real time, delivering insights that drive smarter, faster decisions across fleets. Seamlessly integrated with all our digital solutions, CEON enables predictive service, peak efficiency, and real progress toward decarbonization.

Everllence Data+

Data solutions for the shipping industry

A fleet of marine engines generates an overwhelming amount of data. Everllence Data+ enables you to find the value in this sea of data - helping you to manage your ships and cargo more efficiently, ensuring vessel availability, and reducing emissions and costs. Thanks to our deep domain knowledge of the engines, we can ensure your equipment data is available, scalable and most importantly, actionable.

Based on Everllence CEON, the cloud-based platform behind our digital portfolio, Everllence Data+ securely and intelligently collects and integrates engine data in a consumable and comprehensive way. It is available for both new builds and as a retrofit on Everllence two-stroke engines.



Everllence Asset+

Secured availability – optimised efficiency

Everllence Asset+ is a range of solutions that gives you the opportunity to add functionalities to your vessels' engine systems. In other words, it makes your equipment better at performing specific tasks. Everllence Asset+ solutions raise ship performance, keep your equipment up to date, and help you comply with environmental regulations, advancing your operations on the road to energy transition and decarbonization.

Everllence Asset+ provides the possibility to select the functionality or service needed for a specific engine and, hence, adds value to the particular vessel and its purpose/task. In addition, Everllence Asset+ will offer connectivity and regular security and software updates, thus offering an engine that can be maintained as state-of-the-art across the entire life cycle.

MFM for lube oil

Multi Fluid Monitor is a multibrand solution

Step into a new dimension of operation & maintenance with continuous condition monitoring

It all starts with a tiny anomaly, and sooner or later, it will have consequences: performance degradation, safety hazards or even failure and downtime.

What if you could receive an alarm to stop your engine in real time?
What if you then get the recommendation to troubleshoot in time to prevent serious damage?

How do you detect tiny anomalies between planned visits, like a bearing seizure, cylinder scuffing, slight wear of components, water presence, fuel pollution, soot pollution, etc.? Now you can. Now there's Everllence MFM for lube oil.

Everllence Multi Fluid Monitor for lube oil meets CE standards, has awarded certifications: Marine BV, ABS

- Navy: NNO6630145997886, IEC shocks standards
- Cyber Security: BV IACS UR E27.

www.everllence/services/offerings/marine-power/digital-solutions/multi-fluid-monitor/





Everlence Omnicare

**Your one-stop service solution,
regardless of manufacturer**

For over a century, Everlence PrimeServ has been providing the best service solutions and technical support for all Everlence engines and equipment.

Now, it offers maintenance, repair, and spare parts supply for engines, turbochargers, and auxiliary equipment from non- Everlence manufacturers too under PrimeServ Omnicare. You benefit from a single point of contact for your third-party equipment, reduced complexity and cost of servicing your fleet, as well as OEM supply chain.

Everlence PrimeServ is authorized by several OEMs to ensure the highest standards of competency and workmanship for your third-party equipment.

Our PrimeServ Omnicare service scope currently covers MET turbochargers, CENTA flexible couplings, and C.C. Jensen lube oil filtration systems, bringing simplicity, cost-efficiency, and improved environmental performance to your fleet management.



Contacts



Headquarters

Germany

Four-stroke propulsion engines and systems, GenSets, turbochargers and exhaust gas systems

Everllence SE

Stadtbachstrasse 1
86153 Augsburg
Tel.: +49 821 322 0
info-aug@everllence.com

Denmark

Two-stroke propulsion engines and systems, GenSets

Everllence SE

Everllence B&W

Teglholmegade 41
2450 Copenhagen SV
Tel.: +45 3385 1100
info-cph@everllence.com

Czech Republic

Turbochargers and exhaust gas systems

PBS Turbo s.r.o.

Velká Bíteš
Vlkovská 279
595 01 Velká Bíteš
Tel.: +420 566 822 201
pbst_sales@pbsvb.cz

Germany

Gas-, steam turbines, compressors

Everllence SE

Steinbrinkstraße 1
46145 Oberhausen
Tel.: +49 208 692 1
turbomachinery@everllence.com

Denmark

Propellers, aft ship and propulsion control systems

Everllence SE

Alpha & Alphantronic

Niels Juels Vej 15
9900 Frederikshavn
Tel.: +45 9620 4100
info-frh@everllence.com

France

Four-stroke propulsion engines, GenSets

Everllence France S.A.S.

S.E.M.T. Pielstick

8 Avenue Antoine Bourdelle,
BP427
44615 Saint-Nazaire Cedex
Tel.: +33 2 40 90 65 00
info-fr@everllence.com

Headquarters

United Kingdom

Four-stroke propulsion engines

Everllence UK Ltd.

Original Brands of: **Mirrless
Blackstone; Ruston and Paxman**

1 Mirrless Drive

Hazel Grove

Stockport

Cheshire SK7 5BP

Tel.: +44 161 483 1000

primeserv-uk@everllence.com

Switzerland

Axial-, centrifugal compressors,
complete compressor packages

Everllence Schweiz AG

Hardstraße 319

8005 Zürich

Tel. +41 44 278 20 71

info-zur@everllence.com

International group companies

Argentina

Everllence Argentina S.A.

Armenia 3575
CP B1605BOH - Munro
Prov. Buenos Aires
Tel.: +54 11 5236 6006/07
guillermo.lemo@everllence.com

Australia

Everllence Australia Pty. Ltd.

Building 2,
202 Fairfield Road
Yennora NSW 2161
Sydney
Tel.: +61 2 8874 0700
jeffrey.moloney@everllence.com

Bangladesh

MAN ES Bangladesh Ltd.

Crystal Palace, 9th Floor
SE (D) 22, Road 140
Gulshan South Avenue, Gulshan-1
Dhaka-1212
Tel.: +92 42 3533 0091 3148
tariq.anwar@everllence.com

Belgium

Everllence N.V.

Noorderlaan 181
2030 Antwerpen
Tel.: +32 3 543 8500
dirk.willems@everllence.com

Brazil

Everllence Brazil E&S Ltda.

Rua Carlos Gomes, 23 - bloco 1,
Barreto, Niterói - RJ
CEP 24.110-075
Tel.: +55 21 3506 2151
jens.hueren@everllence.com

Bulgaria

Everllence Bulgaria EOOD

7 Al. Dyakovich, Floor 5, Office 1
9000 Varna
Tel.: +359 52 33 59 60
valentin.yankov@everllence.com

Canada

Everllence Canada Ltd.

Unit 180 - 13111 Vanier Place
Richmond BC V6V 2J1
Tel.: +1 604 235 9378
kamen.stoykov@everllence.com

Chile

Everllence Chile Limitada

Parcela 291
- sector Placilla de Peñuelas
Ruta 68 - Km. 98
Valparaiso
Tel.: +56 9 4004 9600
gabriel.guevara@everllence.com

China

Everllence Shanghai Co., Ltd.

Floor 8, Xinxi Building 1
No. 3576 Zhao Lou Road
Pujiang Town, Minhang District
Shanghai 201112
Tel.: +86 21 5221 2377
pablo.montes@everllence.com

International group companies

Colombia

Everlence Chile Limitada

Branch Office Columbia
Av. Cra. 7 No. 127-48,
Oficina 1009
Centro Empresarial 128
Bogotá D.C.
Tel.: +57 312 432 5521
juan.salguero@everlence.com

Cyprus

Everlence PrimeServ Cyprus

MARSOT Building, First Floor
Petrou Tsirou 4
3021 Katholiki, Limassol
Tel.: +357 25 746 082
kypros.zachariou@everlence.com

Egypt

Everlence Egypt LLC

Office G19 Katameya Heights
Business Center
Katameya New Cairo
11771 Cairo
Tel.: +20 2 20200 462
amr.tahoun@everlence.com

Ecuador

Everlence Chile Limitada

Branch Office Ecuador
Edificio Ambar,
Piso 10 Oficina 1002
Av. Portugal E10-77 y
República del Salvador
Quito
Tel.: +593 2333 1344
gabriel.guevara@everlence.com

Finland

Everlence Sverige AB

Branch Office Finland
Eteläranta 10
00130, Helsinki
Tel. +358 40775 9016
joska.taipale@everlence.com

France

Everlence France S.A.S.

8 Avenue Antoine Bourdelle,
BP427
44615 Saint-Nazaire Cedex
Tel.: +33 24090 6599
yann.tanguy@everlence.com

Germany

Everlence SE

Representative Office
Rossweg 6
20457 Hamburg
Tel.: +49 40 7409 360
colin.peesel@everlence.com

Greece

Everlence Hellas E.P.E.

Akti Miaouli 89
185 38 Piraeus
Tel.: +30 210 45 87 900
dionissis.christodouloupoulos@
everlence.com

International group companies

Hong Kong

Everllence Hong Kong Ltd.

Units 4607-15, Level 46, Tower 1
Metroplaza, 223 Hing Fong Road
Kwai Fong, New Territories
Hong Kong
Tel.: +852 6624 8038
sarath.prasannan@everllence.
com

India

Everllence India Pvt. Ltd.

E-73, MIDC Waluj 431 136
Aurangabad - 431136
Maharashtra
Tel.: +91 240 2566 700
raveesh.m-k@everllence.com

India

Everllence India Pvt. Ltd.

Branch Office Mumbai
402, Bldg No 2, Star Hub
Sahar Road, Andheri (East)
Mumbai - 400 099
Tel.: +91 22 6687 5427
pushpendra.kumar-singh@ever-
llence.com

Indonesia

PT Everllence

Nusantara Indonesia

Indonesia

Unit #17-01, 17th Floor Menara
Palma
Jl. H.R. Rasuna Said,
Block X2 Kav. 6
12950 Jakarta
Tel.: +62 21 5795 7490
jesper.gram@everllence.com

Italy

Everllence Italia s.r.l.

Via Ponte Caracciolo, 1
16126 Genova
Tel.: +39 010 209 1637
pierpaolo.da-fieno@everllence.
com

Japan

Everllence Japan Ltd.

Yokohama Blue Avenue 13F
4-4-2 Minatomirai, Nishi-ku
Yokohama 220-0012
Tel.: +81 45 227 6250
daniel.struckmeier@everllence.
com

Malaysia

Everllence Malaysia OG Sdn. Bhd.

Suite 3.01, 3rd Floor Kenanga
International
Jalan Sultan Ismail
50250 Kuala Lumpur, Malaysia
Tel.: + 603 2162 0410
david.berclaz@everllence.com

Mexico

Everllence Mexico,

S. de R.L. de C.V.

Sierra Candela 111-116, C.P. 11000
Col. Lomas de Chapultepec
Mexico, D.F.
Tel.: +52 55 4000 6104
marcos.vazquez@everllence.com

International group companies

Netherlands

Everlence Netherlands B.V.

Schiekade 36
3125 KJ Schiedam
(Port of Rotterdam)
Tel.: +31 10 272 4500
bart.speckens@everlence.com

New Zealand

Everlence New Zealand Ltd.

Naval Dockyard PO Box 32-061
Queens Parade, Devonport
Auckland 0744
Tel.: +61 2 8874 0701
jeffrey.moloney@everlence.com

Norway

Everlence Norway AS

Haakon VII's gate 1
0161 Oslo
Tel.: +47 2201 7190
erik.dahl@everlence.com

Pakistan

Everlence Pakistan Pvt. Ltd.

16-Km Raiwind Road
Lahore-55150
Tel.: +92 42 3533 0091 3
naveed.rehman@everlence.com

Panama

Everlence Panama Inc.

Av. Las Brujas, Edificio 3870,
Local 1
Veracruz, Arraiján
Tel.: +507 6572 6146
joerg.glaus@everlence.com

Peru

Everlence Peru S.A.C.

Luis Carranza Street 2120
Lima 15081
Tel.: +51 1 6284756
+51 913 037 896
xavier.vallejos@everlence.com

Philippines

Everlence Philippines Inc.

Km. 17, West Service Road
Cervantes Compound Brgy.
Marcelo Green
South Superhighway
Paranaque City, 1700
Tel.: +63 2 776 3369/3347
sebastien.marchand@everlence.com

Poland

Everlence Poland Sp. z o.o.

ul. Lubowidzka 43
80-174 Gdansk
Tel.: +48 58 325 33 90
Mobile: +48 502 536 800
kamil.tempski@everlence.com

Portugal

Everlence Iberia S.A.

Avenida do Rio Tejo, lote 3
Parque Industrial Sapeç Bay
2910-440 Setúbal
Tel.: +351 265 799 500
moreno.miguel@everlence.com

International group companies

Qatar

Everllence Qatar

Navigation WLL

Ras Laffan Avenue

Zone T-45

Ras Laffan Industrial City (RLIC)

Doha

Tel.: +974 4031 09101

joergen.mortensen@everllence.com

Saudi Arabia

MAN Energy Solutions

Saudi Arabia LLC

Prince Mohammed Bin Abdulaziz Street, Jameel Square Building,

2nd Floor No. 211

P.O. Box 55990

21544 Jeddah

Tel.: +966 2 639 4346

abdullah.kuzkaya@everllence.com

Senegal

Everllence Senegal SARL

Derrière cité Faycal

En face de la clinique du Golf

Cambérène

Dakar

Tel.: +221 33 867 79 77

abdou.fofana@everllence.com

Singapore

Everllence Singapore Pte. Ltd.

29 Tuas Avenue 2

Singapore 639460

Tel.: +65 6349 1600

nicolas.brabeck@everllence.com

South Africa

Everllence

South Africa (Pty) Ltd.

Cnr. Cartwright & Petter Street,
C.E. 6

Vanderbijlpark, 1911

Tel.: +27 11 842 0700

chris.meyer@everllence.com

South Africa

Everllence

South Africa (Pty) Ltd.

Branch office Cape Town

Corners of Vanguard,

Ocean and Portside Roads

Port of Cape Town

8000 Paarden Eiland

Tel.: +27 21 514 3361

norman.hall@everllence.com

South Korea

Everllence Korea Ltd.

51, Beombang 2-ro, Gangseo-gu

Busan, South Korea 46727

Tel.: +82 51 635 6644

tommyr.rasmussen@everllence.com

com

Spain

Everllence Iberia

Centro Empresarial Parque Norte

Edificio Abedul

Calle Serrano Galvache 56, 2-izq.

28033 Madrid

Tel.: +34 914 111 413

moreno.miguel@everllence.com

International group companies

Spain

Everllence Canarias, S.L.

Muelle Reina Sofia s/n
Puerto de Las Palmas
Las Palmas de Gran Canaria
35008
Tel.: +34 928 935 959
moreno.miguel@everllence.com

Sri Lanka

Everllence Lanka (Pvt) Ltd.

No. 57/8, Sir Ernest De Silva
Mawatha
Colombo 00700
Tel.: +94 11 2678930
ruwan.dassanayake@everllence.com

Sweden

Everllence Sverige AB

Oljevägen 105
41878 Gothenburg
Tel.: +46 705 172161
johan.haegg@everllence.com

Taiwan

Everllence Taiwan Ltd.

14F-1, No. 8, Min Chuan 2nd Road
Chienchen
80661 Kohsiung
Tel.: +886 7 537 2225
adam.green@everllence.com

Türkiye

Everllence Servis ve Ticaret Ltd. Sti.

Cerkesli OSB, IMES 8. Cad. No.19
41455 Dilovasi/ Kocaeli
Tel.: +90 2165 819 900
timur.iyi@everllence.com

United Arab Emirates

Everllence Middle East LLC

Jumeira Beach Road
At Drydocks World Dubai
P.O. Box 57091
Dubai
Tel.: +971 4 345 40 45
waldemar.wiesner@everllence.com

United Kingdom

Everllence UK Ltd.

Hythe Hill
Colchester
Essex, CO1 2HW
Tel.: +44 1206 795 151
robert.plant@everllence.com

USA

Everllence USA Inc.

1758 Twinwood Parkway
Brookshire, TX 77423
Tel.: +1 346 379 3029
mahesh.joshi@everllence.com

International group companies

USA

Everllence USA Inc.

Branch Office Ft. Lauderdale
551 SW 13th Terrace,
Building 595
Pompano Beach, FL 33069
Tel.: +1 954 960 6700
michael.kontny@everllence.com

Vietnam

Everllence Singapore Pte. Ltd.

Branch Office Vietnam
Unit 9, Second Floor,
International Central
17 Ngo Quyen, Hoan Kiem
Hanoi
Tel.: +84 4 3936 9728
hoanghai.tran@everllence.com

List of licensees

Symbols used:

- T: Everllence two-stroke licensee
F: Everllence four-stroke licensee
P: Everllence four-stroke SEMT Pielstick licensee
TC: Everllence turbocharger licensee
FP: Everllence fixed pitch propeller licensee

China, The People's Republic of

ChloroTech Marine Power (Dalian) Co. Ltd. (F)

Chlorotech@hengli.com

CSSC Engine Co., Ltd. (T)

Tel: +86 532 86708080 6908

CSSC Marine Power Zhenjiang Co Ltd. (F)

Tel.: +86 (511) 845 11 880

cssc-cmp@cssc-cmp.cn

CSSC-MES Diesel Co., Ltd. (T)

Tel.: +86 (21) 6118 6666

market@shcmd.com.cn

Dalian Marine Diesel Co. Ltd. (T)

Tel.: +86 (411) 8441 7273

dmd@online.in.cn

Dalian Marine Propeller Co., Ltd (FP)

Tel.: +86 (411) 8444 2866 8103

sale@dmpp.cn

Duokai Engine (Jingjiang) Co., Ltd. (T)

Tel.: +86 82355888 55888

sales@dkdmwd.com

Hengli Engine (Dalian) Co., Ltd. (T)

Tel.: +86 411 6291 5170

hed.sales@hengli.com

Hudong Heavy Machinery Co., Ltd. (T, P)

Tel.: +86 (21) 51 31 00 00

+86 (21) 58 71 30 07

hhm@hhm.com.cn

Shaanxi Diesel Heavy Industry Co., Ltd. (F, P)

Tel.: +86 910 3831 3596

+86 (29) 3831 4626

sxd408@sxdinfo.com.cn

Yichang Marine Diesel Engine Co., Ltd. (T)

Tel.: +86 (717) 646 86 89

market@ymd.com.cn

Yuchai Marine Power Co. Ltd. (T)

Tel: + 86 756 5888600

sales@ycmp.com.cn

Zhenjiang Tongzhou Propeller Co., Ltd (FP)

Tel.: +86 (511) 8198 2822

zhangjinlong@zjtpp.com

List of licensees

Czech Republic

PBS Turbo s.r.o. (TC)

Tel.: +420 (566) 822 201

Japan

Kanadevia Corporation (T)

Tel: +81 (3) 6404 0141

de-info@hitachizosen.co.jp

JFE Engineering Corporation (P, F)

Tel: +81 (45) 505 7914

hoshino-minoru@jfe-eng.co.jp

Kawasaki Heavy Industries Ltd. (T, F, TC)

Tel: +81 (3) 3435 2313

hashimoto_h@khi.co.jp / takano_hi@khi.co.jp

Kawasaki Sub-licensee:

The Hanshin Diesel Works Ltd. (T)

Tel: +81 (78) 332 2081

overseas-section@hanshin-dw.co.jp

Mitsui E&S Co., Ltd. (T, TC)

Tel: +81 (3) 3544 3475

meseba99@mu.mes.co.jp

Mitsui E&S DU Co., Ltd. (P)

Tel: +81 (3) 3544 3131

yukio-kurose@mes.co.jp

Makita Corporation (T)

Tel: +81 (87) 821 5501

webmaster@makita-corp.com

Mitsui Sub-Licensee:

IHI Power Systems Co., Ltd (P)

Tel: +81 3 4366 1200

webmaster1@niigata-power.com/
naofumi_murakami@niigata-power.com

Saudi Arabia

Hyundai Sub-licensee:

Saudi Engine Manufacturing Company (Makeen) (T)

Tel.: +966 13 512 2002

info@makeen-ksa.com

South Korea

Hanwha Engine Co. Ltd. (T, F)

Tel.: +82 (55) 260 6154

sangsoo1.lee@hanwha.com

HD Hyundai Heavy Industries Co., Ltd. (T, TC)

Engine & Machinery Division

Tel.: +82 (52) 202 7281

enginesales@hhi.co.kr

STX Engine Co., Ltd. (F, T)

Tel. +82 (55) 280 0566

C104CM2T11422@stxengine.co.kr

youngminkim@stxengine.co.kr

HD Hyundai Marine Engine Co., Ltd (T,TC)

Tel.: +82-55-278-9438

S400380group@hd.com

List of licensees

Spain

Navantia S.A. (F)

Fábrica De Motores Cartagena

Tel.: +34 (968) 128 200

navantia@navantia.es

USA

Fairbanks Morse (F, P)

Tel.: +1 (608) 364 8073

mike.clark@fmdefense.com

Everllence

This document is the product and property of Everllence and is protected by applicable copyright laws. Subject to modification in the interest of technical progress. Reproduction permitted provided source is given. 4510-0026-00ppr May 2026. Printed in Denmark.