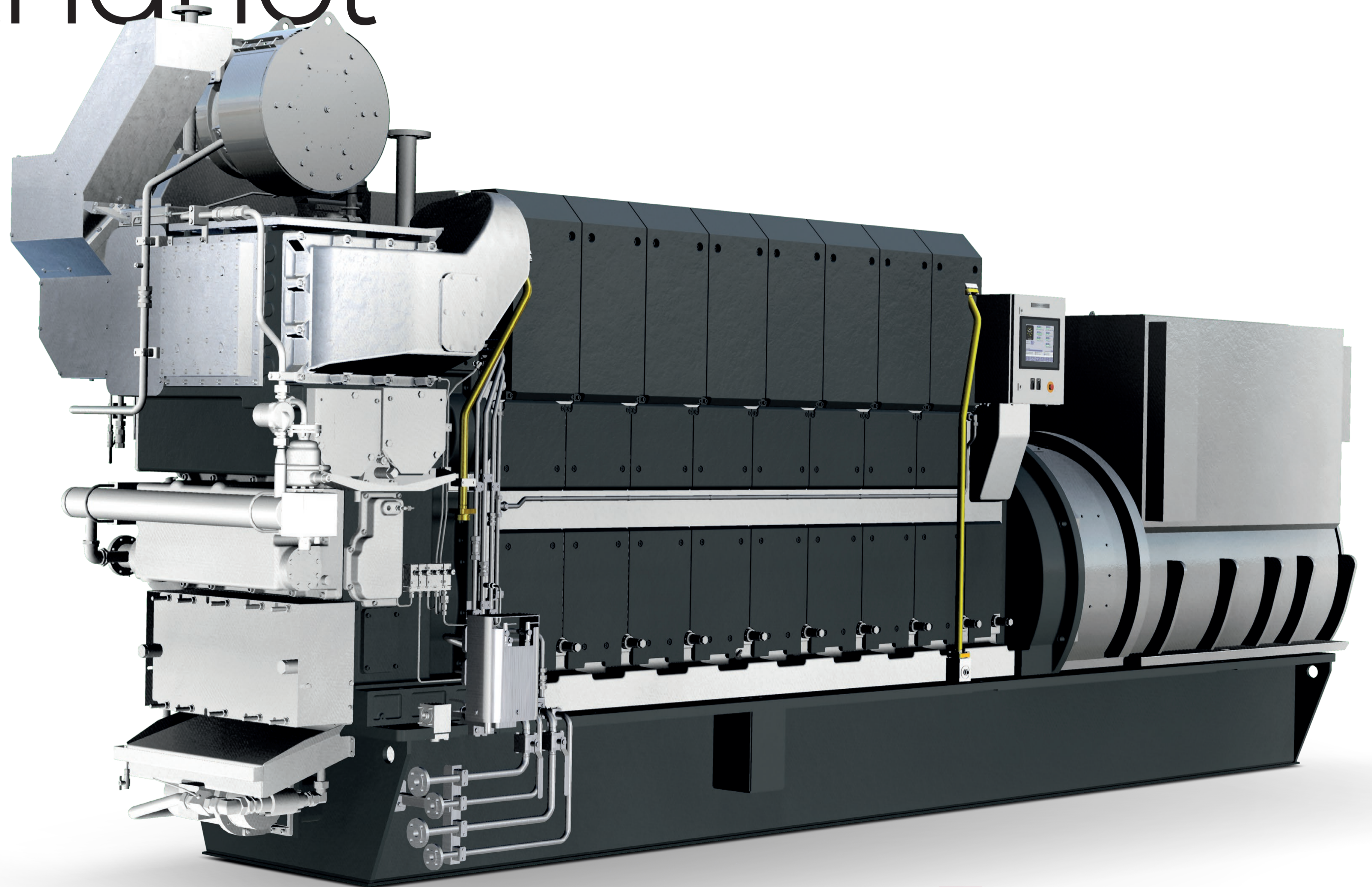


Four-stroke marine systems

# Set your course to net zero with methanol



## L21/31DF-M GenSet

Bore: 210 mm / Stroke 310 mm  
Output: 1,000–1,980 kW

[www.everllence.com](http://www.everllence.com)

**Everllence**